

S2110

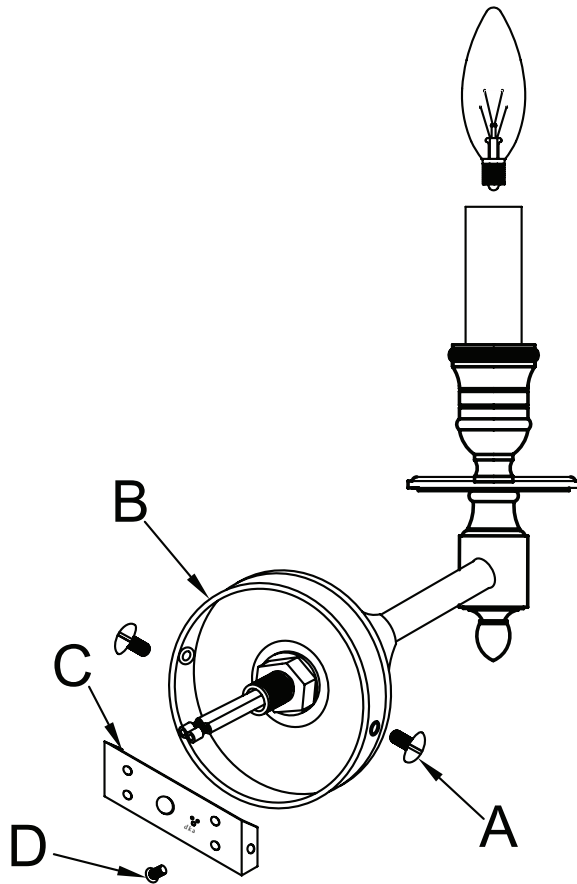
ASSEMBLY & INSTALLATION GUIDE

WE RECOMMEND INSTALLATION OF THIS LIGHTING FIXTURE BE DONE BY A LICENSED ELECTRICIAN.

WARNING * SWITCH OFF THE MAIN ELECTRICAL SUPPLY FROM THE MAIN FUSE BOX/CIRCUIT BREAKER BEFORE INSTALLATION.**

INSPECT ITEM CAREFULLY BEFORE ATTEMPTING TO INSTALL. IF THERE IS ANY DAMAGE OR OBVIOUS DEFECT, DO NOT INSTALL.

ITEM MAY NOT BE RETURNED ONCE IT HAS BEEN INSTALLED.



1. Take off the two screws (A) from the back-plate (B).
1. Install (C) to the wall with wood screws or outlet box screws.
1. Connect the electrical wires as shown in Fig. 2 making sure all wire nuts are secured, You may have to wrap the connections with electrical tap. If your junction box has a ground wire (green or bare copper), connect the fixture's ground wire to it. Otherwise connect fixture's ground wire directly to the junction box.
1. Secure the fixture with two mounting screws (A) to (C), then tighten them.
1. Insert light bulb (not included) into the socket.
1. Return power and test your fixture.