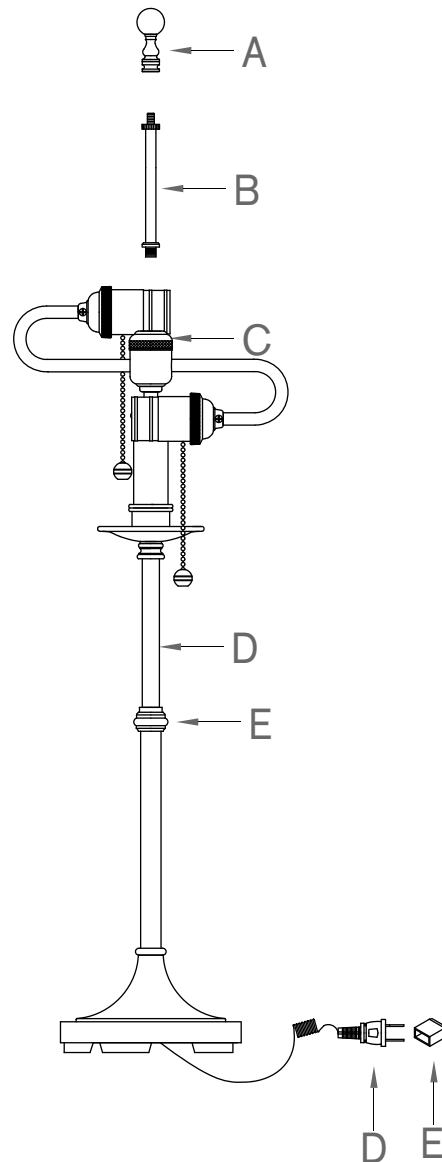


ASSEMBLY INSTRUCTIONS

Dorchester Table Lamp
Item # CHA8188

INSPECT ITEM CAREFULLY BEFORE ATTEMPTING TO INSTALL. IF THERE IS ANY DAMAGE OR OBVIOUS DEFECT, DO NOT INSTALL.

ITEM MAY NOT BE RETURNED ONCE IT HAS BEEN INSTALLED.



1. Carefully remove all parts from the carton.
2. Thread pipe (B) into top opening of part (C).
3. Remove finial (A) from pipe (B), place shade (not included) over the pipe (B) and secure with finial (A).
4. Insert the specified light bulbs into sockets.
5. Remove protective plastic cover (E) from electrical plug (D).
6. Plug lamp into wall outlet.

To Adjust:

1. Loosen collar (E).
2. Adjust lamp height by pulling pole (D) up or down to get desired height.
2. Tighten collar (E).

***Clean with a dry, soft cloth only. Use no harsh abrasives or chemical agents.