

# TEAR SHEET

## Antigua Medium Sconce

Item # CHD 2015BZ/NAB

Designer: Chapman & Myers

Height: 16.25"

Width: 10.25"

Extension: 6.25"

Backplate: 6.25" x 8.25" Trapezoid

Finishes: AB/NAB, BZ/NAB, PN/NAB

Socket: E26 Keyless

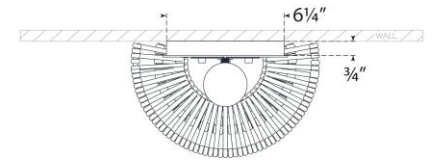
Wattage: 15 LED A19

Weight: 4 Pounds

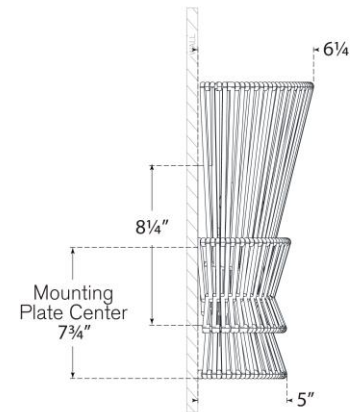
Note: UL Only



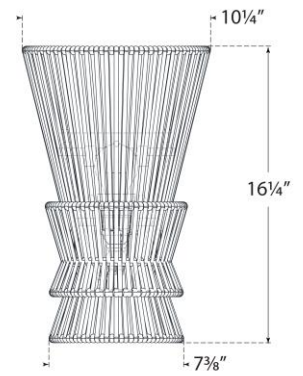
COMING  
SOON



Top View



Side View



Front View