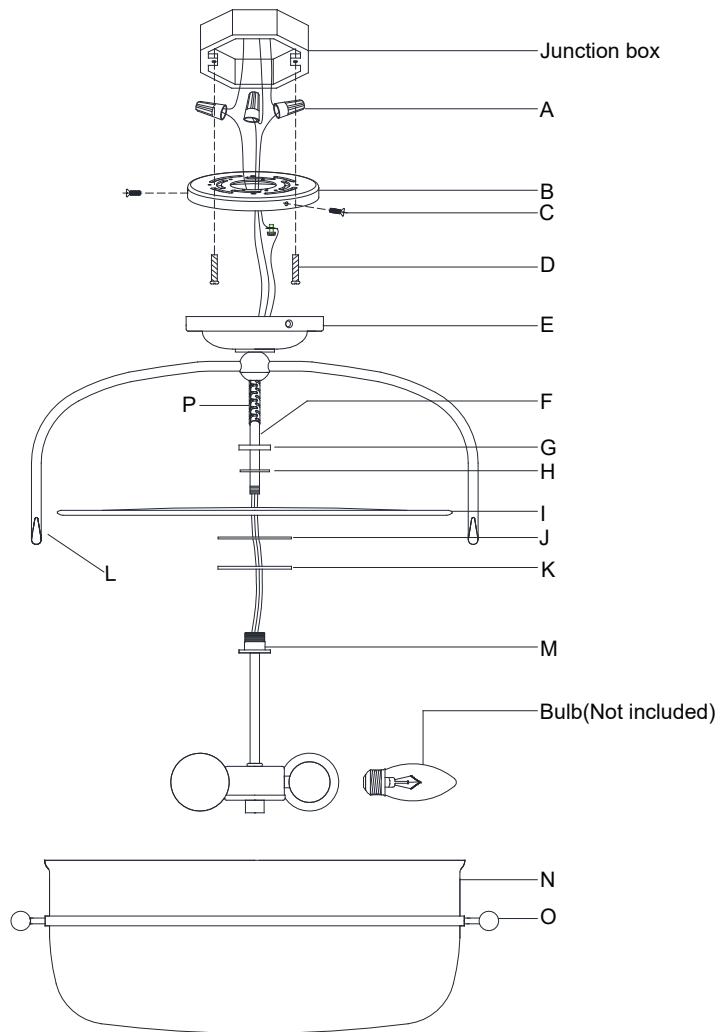


ASSEMBLY INSTRUCTIONS



Lorford Medium Semi-Flush Lantern

Item # CHC 4270

WE RECOMMEND INSTALLATION OF THIS LIGHTING FIXTURE BE DONE BY A LICENSED ELECTRICIAN.

WARNING*SWITCH OFF THE MAIN ELECTRICAL SUPPLY FROM THE MAIN FUSE BOX/CIRCUIT BREAKER BEFORE INSTALLATION.**

INSPECT ITEM CAREFULLY BEFORE ATTEMPTING TO INSTALL. IF THERE IS ANY DAMAGE OR OBVIOUS DEFECT. DO NOT INSTALL.

ITEM MAY NOT BE RETURNED ONCE IT HAS BEEN INSTALLED.

NOTE: CAREFULLY UNPACK EACH PIECE IN TOP LAYER OF PACKING PRIOR TO REMOVING. RETAIN ALL PACKING MATERIAL UNTIL INSPECTION AND INSTALLATION ARE FINAL.

1. Carefully remove all parts from the box.
2. Remove the plastic sleeve (P) from the tube (F).
3. Remove the mounting plate (B) from the canopy (E) by loosening the side screws (C).
4. Install the mounting plate (B) to the junction box and secure with the mounting screws (D).
4. Feed the fixture wires pass through the metal washer (K), rubber washer (J), glass diffuser (I), rubber washer (H), check ring (G) and tube (F).
5. Attach the metal washer (K), rubber washer (J) , glass diffuser (I) on the connector (M) and secure with the rubber washer (H) and check ring (G).
DO NOT OVER-TIGHTEN , OTHERWISE GLASS COULD BECOME DAMAGED.
6. Thread the tube (F) to the connector (M).
7. Wrap the fixture ground wire to the green ground screw on the mounting plate (B) and secure, then connect to the ground wire in the junction box using the wire nut (A).
IT IS IMPERATIVE THAT THIS FIXTURE BE GROUNDED.
8. Connect the fixture ribbed wire (no markings) to the neutral wire in the junction box using the wire nut (A).
9. Connect the fixture smooth wire (with markings) to the hot wire in the junction box using the wire nut (A).
DO NOT REVERSE THE HOT AND NEUTRAL CONNECTIONS OTHERWISE SAFETY WILL BE COMPROMISED.
10. Carefully tuck the wire connections into the junction box.
11. Install the canopy (E) to the mounting plate (B) and secure with the side screws (C).
12. Insert bulbs (not included) into the sockets.
13. Put the glass shade (N) into the metal ring (O), then hang the metal ring (O) to the hooks (L).
14. Installation is complete, turn on power at fuse or circuit breaker.

***Clean with a dry, soft cloth only. Use no harsh abrasives or chemical agents.

VISUAL COMFORT

