

# TEAR SHEET

## Antigua Large Drum Semi-Flush Mount

Item # CHC 4015BZ/NAB

Designer: Chapman & Myers

Height: 8.25"

Width: 16"

Canopy: 6.25" Round

Finishes: AB/NAB, BZ/NAB, PN/NAB

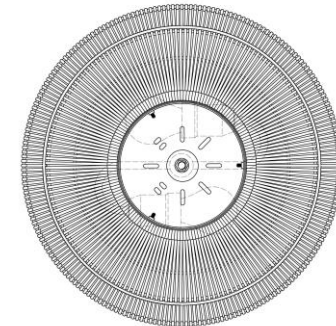
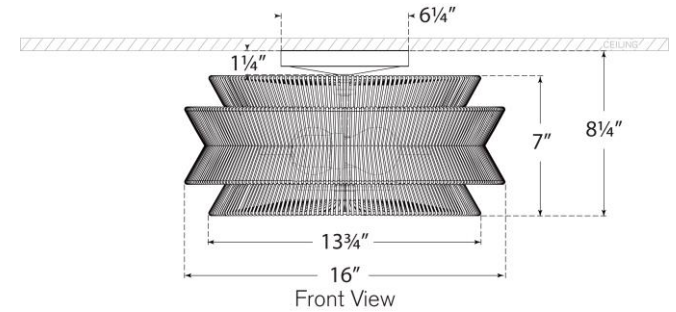
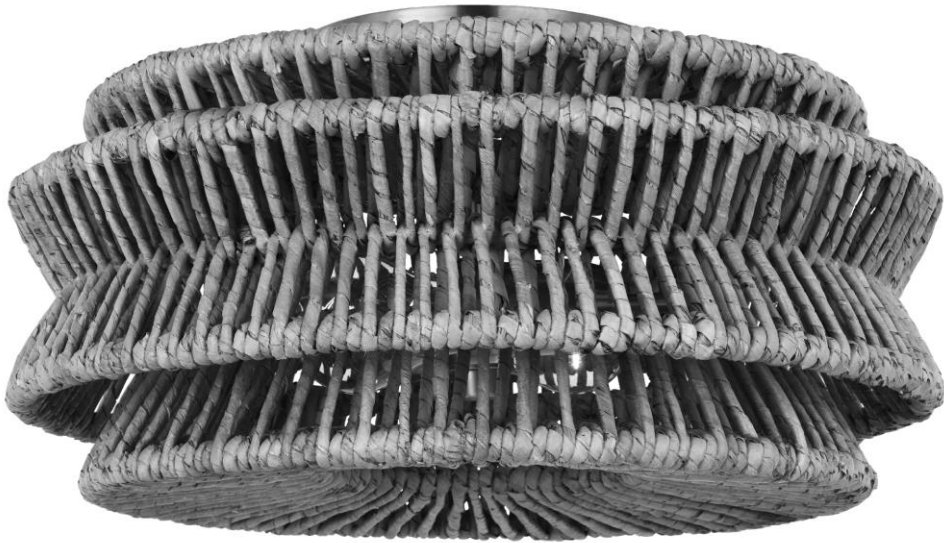
Socket: 2 - E26 Keyless

Wattage: 2 - 15 LED A19

Weight: 8 Pounds

Note: UL Only

  
COMING  
SOON



Top View