

# WINDSOR LINE-VOLTAGE PENDANT

## PRODUCT FEATURES

- Mid-century modern design with sleek contemporary styling
- Duel-tapered, elongated silhouette
- Complementary low-voltage Windsor pendant by Tech Lighting
- Fully dimmable LED lamping option allows you to create your desired ambiance
- Available lamping options include energy efficient LED or no-lamp, leaving you the option to light this fixture with your preferred lamping
- Protected by a 1-year warranty



## LAMPING

Rated for (1) 60 watt max, E26 medium based lamp (Lamp Not Included) LED includes 120 volt 7 watt 500 delivered lumen, 3000K medium base LED PAR 20 lamp. Fixture provided with six feet of field-cuttable black cloth cord. Dimmable with most LED compatible ELV and TRIAC dimmers.

Black



Black



Concrete



Satin Nickel

## ORDERING INFORMATION

700	SYSTEM	WDS	COLOR	FINISH	LAMP
	TD LINE-VOLTAGE PENDANTS/SUSPENSION		B BLACK C CONCRETE S SATIN NICKEL	B BLACK	NO LAMP -LED930 PAR 20 LED 90 CRI 3000K 120V

700 \_\_\_\_\_ WDS \_\_\_\_\_

JOB NAME \_\_\_\_\_

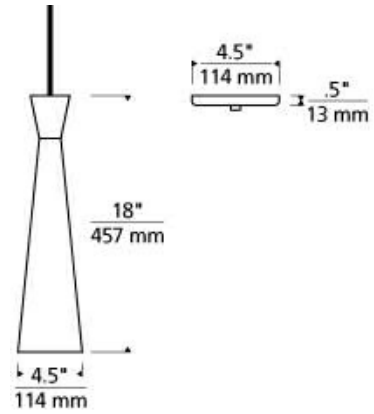
NOTES \_\_\_\_\_



# WINDSOR LINE-VOLTAGE PENDANT

## SPECIFICATIONS

HARDWARE MATERIAL	Metal
SHADE MATERIAL	
NET WEIGHT	1.5 lbs
HEIGHT	18in
WIDTH	4.5in
LENGTH	4.5in
UP LIGHT / DOWN LIGHT / BOTH?	
WET LISTED	
DAMP LISTED	Yes
DRY LISTED	
MIN. HANGING HEIGHT	24.5in
MAX HANGING HEIGHT	90.5in
TOTAL CORD LENGTH	72in
TOTAL STEM LENGTH	
STEM QTY	
SLOPED CEILING ADAPTABLE?	
GENERAL LISTING	
INCLUDES	



## LAMPING SPECIFICATIONS

	LED LAMP	INTEGRATED LED	NON LED	NO LAMP
DELIVERED LUMENS	500			
WATTS	7			
MAX WATTAGE PER BULB	60W			60W
INPUT VOLTAGE	120V			120V
DIMMING TYPE*	ELV, TRIAC			ELV, TRIAC
CCT	3000K			
CRI	80 CRI			
LED LIFETIME				
L70				
AVERAGE BULB HOURS	25000			
FIELD SERVICEABLE LED				
LAMP BASE	E26 Medium Base			E26 Medium Base
LAMP SHAPE	PAR20			PAR20
LAMP INCLUDED?	Y			N
WARRANTY**	1 Year			1 Year

\* Dimming information available at [www.techlighting.com/Downloads#dimming](http://www.techlighting.com/Downloads#dimming)

\*\* Visit [techlighting.com](http://techlighting.com) for specific warranty limitations and details.

## T20 / T24 INFORMATION

	Integrated LED	Replacement LED Lamp	No Lamp *
This product can be used to comply with California Building Energy Efficiency Standards 2016 <b>Title 24</b> Part 6.		Yes	No
This product can be used to comply with California Appliance Efficiency Standards 2016 <b>Title 20</b> and may be shipped to and sold in California.		No	Yes

\* If a light fixture or component does not include a lamp or light source, it is the responsibility of the customer to select a lamp that meets the T24 and T20 requirements.

