

# VOLVER MEDIUM SINGLE SCONCE

VISUAL COMFORT & CO.

## PRODUCT FEATURES



## LAMPING

Includes 11.3 watt, 212 delivered lumens, 2700K LED module.  
Dimmable with most LED compatible ELV, TRIAC and 0-10V dimmers.  
Up or downlight. ADA compliant. 120V-277V.

## ORDERING INFORMATION

KWWS579	COLOR TEMP	COLOR	FINISH
	27 2700K	CE CLEAR ETCHED	BZ BRONZE HAB HAND RUBBED ANTIQUE BRASS

KWWS579

\_\_\_\_\_

JOB NAME

\_\_\_\_\_

NOTES

\_\_\_\_\_

\_\_\_\_\_



© 2019 Tech Lighting, L.L.C. All rights reserved. The "Tech Lighting" graphic is a registered trademark of Tech Lighting, L.L.C.  
Tech Lighting reserves the right to change specifications for product improvements without notification.

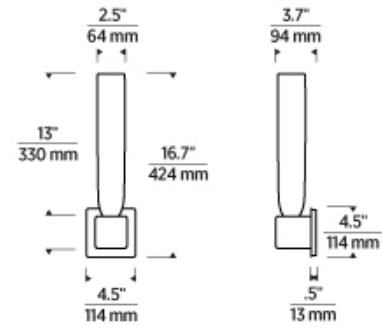
7400 Linder Avenue, Skokie, IL 60077  
T 847.410.4400 | F 847.410.4500 | techlighting.com

# VOLVER MEDIUM SINGLE SCONCE

VISUAL COMFORT & Co.

## SPECIFICATIONS

PRIMARY MATERIAL	Brass
SHADE MATERIAL	Glass
NET WEIGHT	7 lbs
HEIGHT	16.7in
WIDTH	3.7in
LENGTH	4.5in
MIN. EXTENSION FROM WALL	3.7in
UP LIGHT / DOWN LIGHT / BOTH?	
WET LISTED	
DAMP LISTED	
DRY LISTED	
UP / DOWN	
HORIZONTAL / VERTICAL	
WALL / CEILING MOUNT	
GENERAL LISTING	ETL Listed
ADA COMPLIANT	
INCLUDES	



## LAMPING SPECIFICATIONS

	LED LAMP	INTEGRATED LED	NON LED	NO LAMP
DELIVERED LUMENS		212		
WATTS		11.3		
MAX WATTAGE PER BULB		11.3W		
		Universal 120V-277V 0-10, ELV, TRIAC		
CCT		2700K		
CRI		90 CRI		
LED LIFETIME		>50000		
L70				
AVERAGE BULB HOURS				
FIELD SERVICEABLE LED				
LAMP BASE		Integrated LED		
LAMP SHAPE		Integrated LED		
LAMP INCLUDED?		True		
WARRANTY**		5 Years		

\* Dimming information available at [www.techlighting.com/Downloads#dimming](http://www.techlighting.com/Downloads#dimming)

\*\* Visit [techlighting.com](http://techlighting.com) for specific warranty limitations and details.

## T20 / T24 / JA8 INFORMATION

	Integrated LED	Replacement LED Lamp	No Lamp *
This product can be used to comply with California Building Energy Efficiency Standards 2016 Title 24 Part 6 / JA8.	Yes		
This product can be used to comply with California Appliance Efficiency Standards 2016 Title 20 and may be shipped to and sold in California.			

\* If a light fixture or component does not include a lamp or light source, it is the responsibility of the customer to select a lamp that meets the T24 and T20 requirements.

