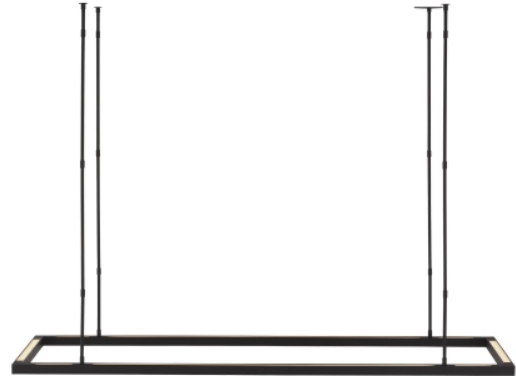


PRODUCT FEATURES

- From the brand formerly known as Tech Lighting
- Creates a visual canopy and brings human scale to spaces with taller ceilings
- This item is made of natural brass. It is a living finish that will patina and warm with age which adds richness. If it gets an uneven patina or spots, a brass cleaner can restore the finish
- Includes (8) 6" and (16) 12" rigid stems in coordinating finish.
- Complementary wall sconce light and additional pendant sizes available
- Fully dimmable integrated LED lamp



LAMPING

Includes 50 watts, 3750 delivered lumens, 2700K LED module.
 Dimmable with most LED compatible ELV, TRIAC and 0-10V dimmers.
 Ships with (16) 12" and (8) 6" rigid stems in coordinating finish. 120V-277V. Uplight only.

Nightshade Black



Nightshade Black

Nightshade Black
Alt View

Natural Brass

Natural Brass
Alt View

ORDERING INFORMATION

MDLS187	COLOR TEMP	FINISH
	27 2700K	NB NATURAL BRASS B NIGHTSHADE BLACK

MDLS187 _____

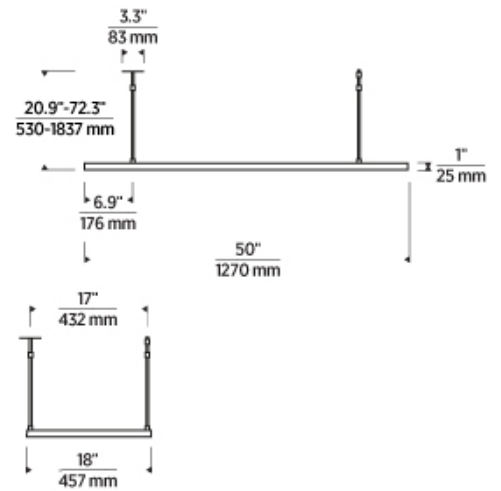
JOB NAME _____

NOTES _____



SPECIFICATIONS

PRIMARY MATERIAL	Aluminum, Stainless Steel or Brass
SHADE MATERIAL	Acrylic
NET WEIGHT	25 lbs
HEIGHT	1in
WIDTH	18in
LENGTH	49.5in
UP LIGHT / DOWN LIGHT / BOTH?	
WET LISTED	
DAMP LISTED	
DRY LISTED	
MIN. HANGING HEIGHT	4.3in
MAX HANGING HEIGHT	64.3in
TOTAL CORD LENGTH	
TOTAL STEM LENGTH	Up to 240in
STEM QTY	24
SLOPED CEILING ADAPTABLE?	No
GENERAL LISTING	ETL Listed
INCLUDES	



LAMPING SPECIFICATIONS

	LED LAMP	INTEGRATED LED	NON LED	NO LAMP
DELIVERED LUMENS		3750		
WATTS		50		
MAX WATTAGE PER BULB		50W		
		Universal 120V-277V ELV, TRIAC		
CCT		2700K		
CRI		90 CRI		
LED LIFETIME		>50000		
L70				
AVERAGE BULB HOURS				
FIELD SERVICEABLE LED				
LAMP BASE		Integrated LED		
LAMP SHAPE		Integrated LED		
LAMP INCLUDED?		True		
WARRANTY**		5 Years		

* Dimming information available at www.techlighting.com/Downloads#dimming

** Visit techlighting.com for specific warranty limitations and details.

T20 / T24 / JA8 INFORMATION

	Integrated LED	Replacement LED Lamp	No Lamp *
This product can be used to comply with California Building Energy Efficiency Standards 2016 Title 24 Part 6 / JA8.	Yes		
This product can be used to comply with California Appliance Efficiency Standards 2016 Title 20 and may be shipped to and sold in California.			

* If a light fixture or component does not include a lamp or light source, it is the responsibility of the customer to select a lamp that meets the T24 and T20 requirements.

