

PRODUCT FEATURES

- Features a sleek back plate for a clean minimal appeal
- Can be mounted vertically or horizontally
- ADA compliant
- Ideal for vanities and bathrooms
- All lamping options are fully dimmable to create the desired ambiance in any space
- Protected by a 1-year warranty



LAMPING

May be mounted vertically or horizontally. Incandescent includes five 120 volt 40 watt C9 base halogen lamps. LED version includes 22 watt, 780 delivered lumens, 3000K 90 CRI module. Incandescent version dimmable with standard incandescent dimmer. LED version dimmable with most LED compatible ELV and TRIAC dimmers. 277V compatible with 0-10V dimmers. ADA compliant.



White

White

ORDERING INFORMATION

700BCSLC26W COLOR	FINISH	LAMP
WHITE	C CHROME S SATIN NICKEL	-LED930 LED 90 CRI 3000K 120V (T20/T24) -LED930-277 LED 90 CRI 3000K 277V (T20/T24)

700BCSLC26W _____

JOB NAME _____

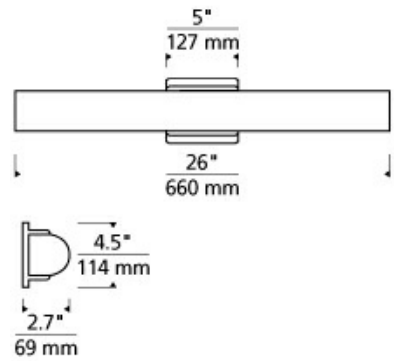
NOTES _____



SOLACE BATH

SPECIFICATIONS

HARDWARE MATERIAL	Metal
SHADE MATERIAL	Glass
NET WEIGHT	7 lbs
HEIGHT	4.5in
WIDTH	2.7in
LENGTH	26in
WET LISTED	
DAMP LISTED	
DRY LISTED	
GENERAL LISTING	ETL Listed
INCLUDES	



LAMPING SPECIFICATIONS

	LED LAMP	INTEGRATED LED	NON LED	NO LAMP
DELIVERED LUMENS		780		
WATTS		22		
MAX WATTAGE PER BULB		22W		
INPUT VOLTAGE				
DIMMING TYPE*				
CCT		3000K		
CRI		90 CRI		
LED LIFETIME				
L70		>50000		
AVERAGE BULB HOURS				
FIELD SERVICEABLE LED				
LAMP BASE		Integrated LED		
LAMP SHAPE		Integrated LED		
LAMP INCLUDED?		Y		
WARRANTY**		5 Years		

*Dimming information available at www.techlighting.com/Downloads#dimming

** Visit techlighting.com for specific warranty limitations and details.

T20 / T24 INFORMATION

	Integrated LED	Replacement LED Lamp	No Lamp *
This product can be used to comply with California Building Energy Efficiency Standards 2016 Title 24 Part 6.	Yes		
This product can be used to comply with California Appliance Efficiency Standards 2016 Title 20 and may be shipped to and sold in California.	Yes		

* If a light fixture or component does not include a lamp or light source, it is the responsibility of the customer to select a lamp that meets the T24 and T20 requirements.

