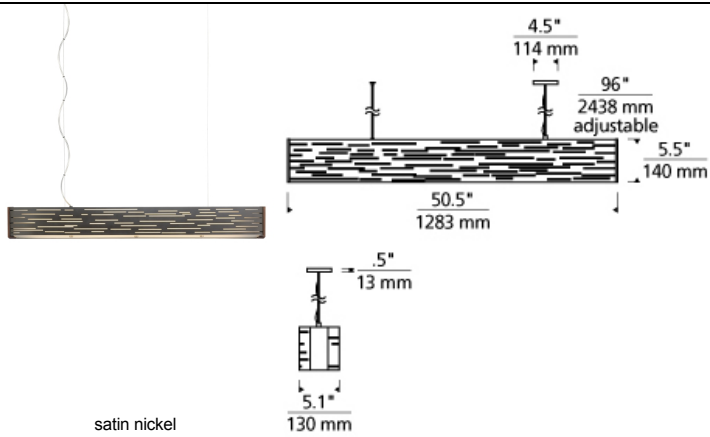


# LINEAR SUSPENSION

## Revel Linear Suspension LED FL T20

### DESCRIPTION

The Revel linear suspension fixture by Tech Lighting captures light in motion. The sleek metal surface is laser-cut with horizontal slots which allow light to shine through the inner white diffuser. Optional wood end caps complement the design with a touch of warmth in an unexpected way. A bottom glass diffuser provides a glare free wash of light onto surfaces below. Scaling at 50.5" long the Revel is ideal for dining room lighting, foyer lighting and family room lighting. Also included in the Revel family are three other complementary fixtures, Revel linear wall, Revel wall and Revel pendant, simply search Revel linear suspension to find its closest relatives. Your choice of fully dimmable LED lamping ships with the Revel suspension saving you both time and money. Includes 40 watt, 1800 delivered lumens, 80 CRI 3000K LED. Has a maximum drop length of 8 feet. Ships with extra center power feed canopy and side post for applications with a centered junction box. Dimmable with electronic low voltage & LED compatible dimmer.



### INSTALLATION

This product can mount to either a 4" square electrical box with round plaster ring or an octagonal electrical box (not included).

### WEIGHT

8-10lb / 3.63-4.54kg ±



antique bronze      satin nickel

### ORDERING INFORMATION

700LSRVL COLOR	Trim Color	LAMP
Z ANTIQUE BRONZE	M MAPLE WOOD	-LED830 LED 80 CRI 3000K 120V
S SATIN NICKEL	T METAL	-LED830-277 LED 80 CRI 3000K 277V



7400 Linder Avenue      T 847.410.4400  
Skokie, Illinois 60077      F 847.410.4500

Tech Lighting, L.L.C.

700LSRVL \_\_\_\_\_

FIXTURE TYPE: \_\_\_\_\_

JOB NAME: \_\_\_\_\_

NOTES: \_\_\_\_\_

\_\_\_\_\_

\_\_\_\_\_