

ORBET 36 CHANDELIER

VISUAL COMFORT & Co.

PRODUCT FEATURES

- From the brand formerly known as Tech Lighting
- Contemporary Modern Style
- Inspired by the classic pearl with perfectly spaced milk glass orbs
- Modern upgrade to the classic ring design
- This item is made of natural brass. It is a living finish that will patina and warm with age which adds richness. If it gets an uneven patina or spots, a brass cleaner can restore the finish



LAMPING

Includes 43.3 watt, 2669 total delivered lumens, 90 CRI 2700K LED modules. Dimmable with most LED compatible ELV and TRIAC dimmers. Nightshade Black and Natural Brass finishes supplied with black cord. Polished Nickel supplied with silver cord. 120V-277V

Nightshade Black



Nightshade Black

Polished Nickel

Natural Brass

ORDERING INFORMATION

700OBT	LENGTH (A)	FINISH	LAMP
	36 36"	NB NATURAL BRASS B NIGHTSHADE BLACK N POLISHED NICKEL	-LED927 INTEGRATED LED 90 CRI 2700K 120V-277V UNV

700OBT _____

JOB NAME _____

NOTES _____

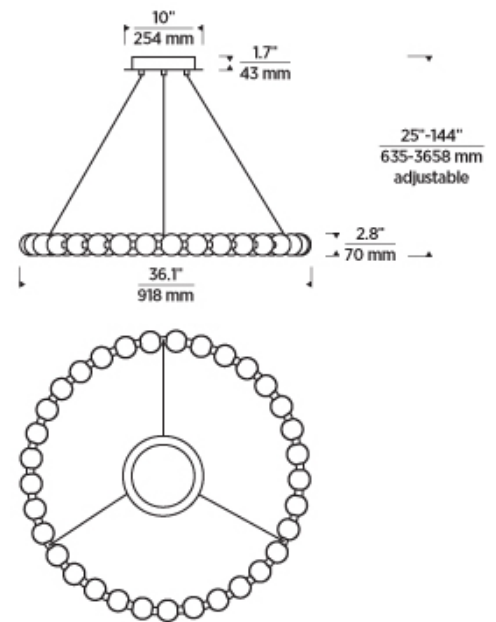


ORBET 36 CHANDELIER

VISUAL COMFORT & Co.

SPECIFICATIONS

PRIMARY MATERIAL	Steel Or Brass
SHADE MATERIAL	Glass
NET WEIGHT	21 lbs
HEIGHT	2.8in
WIDTH	36.1in
LENGTH	36.1in
UP LIGHT / DOWN LIGHT / BOTH?	
WET LISTED	
DAMP LISTED	
DRY LISTED	
MIN. HANGING HEIGHT	25in
MAX HANGING HEIGHT	144in
TOTAL CORD LENGTH	144in
TOTAL STEM LENGTH	
STEM QTY	
SLOPED CEILING ADAPTABLE?	Yes 45° Max
GENERAL LISTING	ETL Listed
INCLUDES	



LAMPING SPECIFICATIONS

	LED LAMP	INTEGRATED LED	NON LED	NO LAMP
DELIVERED LUMENS		2669		
WATTS		43.3		
MAX WATTAGE PER BULB		43.3W		
		Universal 120V-277V ELV, TRIAC		
CCT		2700K		
CRI		90 CRI		
LED LIFETIME		>50000		
L70				
AVERAGE BULB HOURS				
FIELD SERVICEABLE LED				
LAMP BASE		Integrated LED		
LAMP SHAPE		Integrated LED		
LAMP INCLUDED?		True		
WARRANTY**		5 Years		

* Dimming information available at www.techlighting.com/Downloads#dimming

** Visit techlighting.com for specific warranty limitations and details.

T20 / T24 / JA8 INFORMATION

	Integrated LED	Replacement LED Lamp	No Lamp *
This product can be used to comply with California Building Energy Efficiency Standards 2016 Title 24 Part 6 / JA8.	Yes		
This product can be used to comply with California Appliance Efficiency Standards 2016 Title 20 and may be shipped to and sold in California.	N/A		

* If a light fixture or component does not include a lamp or light source, it is the responsibility of the customer to select a lamp that meets the T24 and T20 requirements.

