

# KULMA MEDIUM PENDANT

VISUAL COMFORT & CO.

## PRODUCT FEATURES

- From the brand formerly known as Tech Lighting
- Clear glass panels with concealed LED light
- Light cascades down and is captured in the edge of the glass
- Suited for indoor or outdoor spaces. ADA Compliant
- This item is made of natural brass. It is a living finish that will patina and warm with age which adds richness. If it gets an uneven patina or spots, a brass cleaner can restore the finish
- Fully dimmable integrated LED lamp



Black (Lit)

## LAMPING



Black (Lit)



Natural Brass (Lit)



Natural Copper (Lit)

## ORDERING INFORMATION

7000PKLM	CRI	COLOR TEMP	LENGTH (A)	FINISH	VOLTAGE
	9 90 CRI	27 2700K	20 20"	B BLACK P COPPER NB NATURAL BRASS	UNV 120-277V

7000PKLM

JOB NAME

NOTES



© 2019 Tech Lighting, L.L.C. All rights reserved. The "Tech Lighting" graphic is a registered trademark of Tech Lighting, L.L.C. Tech Lighting reserves the right to change specifications for product improvements without notification.

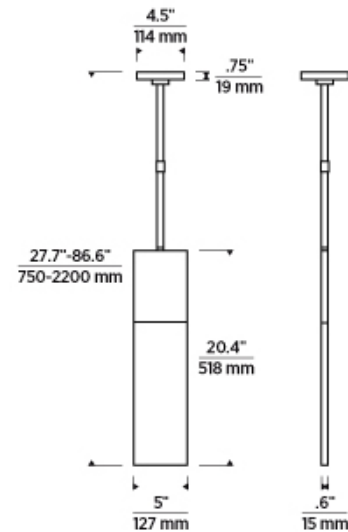
7400 Linder Avenue, Skokie, IL 60077  
T 847.410.4400 | F 847.410.4500 | techlighting.com

# KULMA MEDIUM PENDANT

VISUAL COMFORT & Co.

## SPECIFICATIONS

PRIMARY MATERIAL	Aluminum, Brass or Copper
SHADE MATERIAL	Crystal
NET WEIGHT	9.5 lbs
HEIGHT	20.4in
WIDTH	0.6in
LENGTH	5in
WET LISTED	
DAMP LISTED	
DRY LISTED	
GENERAL LISTING	ETL Listed
INCLUDES	



## LAMPING SPECIFICATIONS

	LED LAMP	INTEGRATED LED	NON LED	NO LAMP
DELIVERED LUMENS		197		
WATTS		7.5		
MAX WATTAGE PER BULB		Universal 120V-277V 0-10, ELV, TRIAC		
CCT		2700K		
CRI		90 CRI		
LED LIFETIME		>60000		
AVERAGE BULB HOURS				
FIELD SERVICEABLE LED				
LAMP BASE		Integrated LED		
LAMP SHAPE		Integrated LED		
LAMP INCLUDED?		True		
WARRANTY**		5 Years		

\* Dimming information available at [www.techlighting.com/Downloads#dimming](http://www.techlighting.com/Downloads#dimming)

\*\* Visit [techlighting.com](http://techlighting.com) for specific warranty limitations and details.

## T20 / T24 / JA8 INFORMATION

	Integrated LED	Replacement LED Lamp	No Lamp *
This product can be used to comply with California Building Energy Efficiency Standards 2016 Title 24 Part 6 / JA8.	Yes		
This product can be used to comply with California Appliance Efficiency Standards 2016 Title 20 and may be shipped to and sold in California.	N/A		

\* If a light fixture or component does not include a lamp or light source, it is the responsibility of the customer to select a lamp that meets the T24 and T20 requirements.

