

# KOLA 22 FLUSH MOUNT

VISUAL COMFORT & CO.

## PRODUCT FEATURES

- From the brand formerly known as Tech Lighting
- Contemporary Modern Style
- Inspired by the Kola Superdeep Borehole, the deepest hole ever drilled at 40K feet
- Laser etched acrylic designed within a blown glass shade
- This item is made of natural brass. It is a living finish that will patina and warm with age which adds richness. If it gets an uneven patina or spots, a brass cleaner can restore the finish
- Available in modern finishes



## LAMPING

Includes 120 or 277 volt 38.3 watts, 2275 delivered lumens, 90 CRI 2700K LED module. 120V dimmable with most LED compatible ELV and TRIAC dimmers. 277V dimmable with 0-10V dimmers. Ceiling mount only.

Nightshade Black



Nightshade Black

Nightshade Black  
Alt View

Natural Brass

Natural Brass Alt  
View

## ORDERING INFORMATION

700FMKLA	LENGTH (A)	FINISH	LAMP
	22 22"	NB NATURAL BRASS	-LED927 INTEGRATED LED 90 CRI 2700K 120V
		B NIGHTSHADE BLACK	-LED927-277 INTEGRATED LED 90 CRI 2700K 277V

700FMKLA \_\_\_\_\_

JOB NAME \_\_\_\_\_

NOTES \_\_\_\_\_

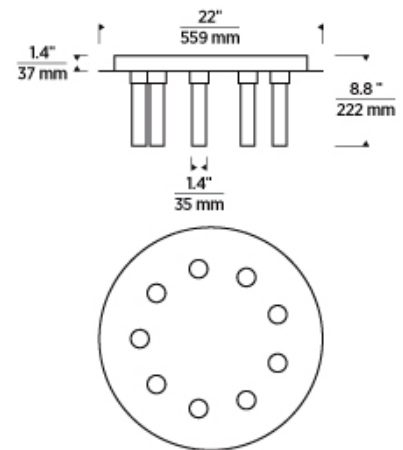


# KOLA 22 FLUSH MOUNT

VISUAL COMFORT & Co.

## SPECIFICATIONS

PRIMARY MATERIAL	Steel Or Brass
SHADE MATERIAL	Glass
NET WEIGHT	14.5 lbs
HEIGHT	8.8in
WIDTH	22in
LENGTH	22in
UP LIGHT / DOWN LIGHT / BOTH?	
WET LISTED	
DAMP LISTED	
DRY LISTED	
WALL / CEILING MOUNT	
GENERAL LISTING	ETL Listed
INCLUDES	



## LAMPING SPECIFICATIONS

	LED LAMP	INTEGRATED LED	NON LED	NO LAMP
DELIVERED LUMENS		2275		
WATTS		38.3		
MAX WATTAGE PER BULB		38.3W		
		120V ELV, TRIAC 277V 0-10V		
CCT		2700K		
CRI		90 CRI		
LED LIFETIME				
L70		>50000		
AVERAGE BULB HOURS				
FIELD SERVICEABLE LED				
LAMP BASE		Integrated LED		
LAMP SHAPE		Integrated LED		
LAMP INCLUDED?		True		
WARRANTY**		5 Years		

\* Dimming information available at [www.techlighting.com/Downloads#dimming](http://www.techlighting.com/Downloads#dimming)

\*\* Visit [techlighting.com](http://techlighting.com) for specific warranty limitations and details.

## T20 / T24 / JA8 INFORMATION

	Integrated LED	Replacement LED Lamp	No Lamp *
This product can be used to comply with California Building Energy Efficiency Standards 2016 Title 24 Part 6 / JA8.	Yes		
This product can be used to comply with California Appliance Efficiency Standards 2016 Title 20 and may be shipped to and sold in California.	N/A		

\* If a light fixture or component does not include a lamp or light source, it is the responsibility of the customer to select a lamp that meets the T24 and T20 requirements.

