

# KENWAY 18 PENDANT

## PRODUCT FEATURES

- Celebrating the influence of geometry by linking thin rectangular frames with LED illumination
- Strips of inward-facing LED light guide strips provide generous amounts of illumination
- Available in two modern finishes, Nightshade Black and Natural Brass that will patina over time
- Additional sizes and a Kenway Wall Sconce available for a coordinated look
- Dimmable with most LED compatible TRIAC and 1-10V dimmers
- Protected by a 5-year warranty, please visit the "About Us" Page on [techlighting.com](http://techlighting.com) for more for warranty details



Nightshade Black

## LAMPING

Includes 120-277 volt universal, 28.6 watt, 647 delivered lumens, 3000K, 90 CRI LED module. Dimmable with most LED compatible ELV dimmers. Includes (2) 6" and (4) 12" rigid stems in coordinating finish. Can be installed on a sloped ceiling up to 20°



Nightshade Black

Natural Brass

## ORDERING INFORMATION

700	SYSTEM	KNW	SHAPE OR SIZE	FINISH	LAMP
	TD LINE-VOLTAGE PENDANTS/SUSPENSION	18 18		NB NATURAL BRASS B NIGHTSHADE BLACK	-LED930 INTEGRATED LED 90 CRI 3000K 120V-277 UNV

700 \_\_\_\_\_ KNW \_\_\_\_\_

JOB NAME \_\_\_\_\_

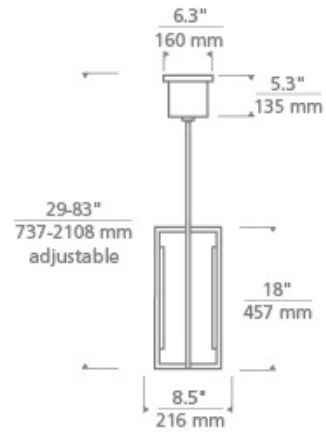
NOTES \_\_\_\_\_



# KENWAY 18 PENDANT

## SPECIFICATIONS

HARDWARE MATERIAL	Metal
SHADE MATERIAL	Acrylic
NET WEIGHT	16.5 lbs
HEIGHT	18in
WIDTH	8.5in
LENGTH	8.5in
UP LIGHT / DOWN LIGHT / BOTH?	
WET LISTED	
DAMP LISTED	Yes
DRY LISTED	
MIN. HANGING HEIGHT	29in
MAX HANGING HEIGHT	83in
TOTAL CORD LENGTH	
TOTAL STEM LENGTH	Up to 60in
STEM QTY	6
SLOPED CEILING ADAPTABLE?	Yes 20° Max
GENERAL LISTING	ETL Listed
INCLUDES	



## LAMPING SPECIFICATIONS

	LED LAMP	INTEGRATED LED	NON LED	NO LAMP
DELIVERED LUMENS		647		
WATTS		28.6		
MAX WATTAGE PER BULB		28.6W		
INPUT VOLTAGE		Universal 120V-277V		
DIMMING TYPE*		ELV		
CCT		3000K		
CRI		90 CRI		
LED LIFETIME				
L70		>50000		
AVERAGE BULB HOURS				
FIELD SERVICEABLE LED				
LAMP BASE		Integrated LED		
LAMP SHAPE		Integrated LED		
LAMP INCLUDED?		Y		
WARRANTY**		5 Years		

\* Dimming information available at [www.techlighting.com/Downloads#dimming](http://www.techlighting.com/Downloads#dimming)

\*\* Visit [techlighting.com](http://techlighting.com) for specific warranty limitations and details.

## T20 / T24 INFORMATION

	Integrated LED	Replacement LED Lamp	No Lamp *
This product can be used to comply with California Building Energy Efficiency Standards 2016 Title 24 Part 6.	Yes		
This product can be used to comply with California Appliance Efficiency Standards 2016 Title 20 and may be shipped to and sold in California.	N/A		

\* If a light fixture or component does not include a lamp or light source, it is the responsibility of the customer to select a lamp that meets the T24 and T20 requirements.

