

# GRACE 65 CHANDELIER

VISUAL COMFORT & CO.

## PRODUCT FEATURES

- Transitional Style
- Halo of light is gracefully created by two rings with integrated LED technology
- Ships with 12 feet of field-cuttable cable
- Available in modern finishes
- Protected by a 5-year warranty. Please visit the "About Us" Page on [visualcomfort.com](http://visualcomfort.com) for more for warranty details



## LAMPING

Includes 120V, 123.6 watt, 5100 total delivered lumens, 3000K LED module. Dimmable with most LED compatible ELV and TRIAC dimmers. Ships with 12 feet of field-cuttable cable.

Natural Brass/Weathered Oak



Natural  
Brass/Weathered  
Oak

## ORDERING INFORMATION

SLCH300	COLOR TEMP	FINISH
	303000K	BW MATTE BLACK/WEATHERED OAK WOOD NBW NATURAL BRASS/ WEATHERED OAK

SLCH300 \_\_\_\_\_

JOB NAME \_\_\_\_\_

NOTES \_\_\_\_\_

\_\_\_\_\_

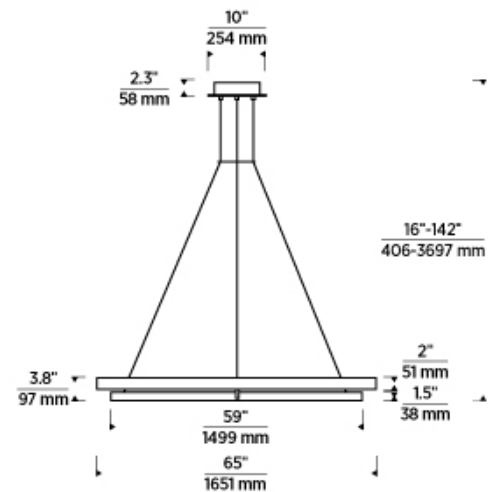


# GRACE 65 CHANDELIER

VISUAL COMFORT & Co.

## SPECIFICATIONS

PRIMARY MATERIAL	Aluminum or Brass
SHADE MATERIAL	Wood
NET WEIGHT	40 lbs
HEIGHT	3.8in
WIDTH	65in
LENGTH	65in
UP LIGHT / DOWN LIGHT / BOTH?	
WET LISTED	
DAMP LISTED	
DRY LISTED	
MIN. HANGING HEIGHT	16in
MAX HANGING HEIGHT	142in
TOTAL CORD LENGTH	144in
TOTAL STEM LENGTH	
STEM QTY	
SLOPED CEILING ADAPTABLE?	Yes 45° Max
GENERAL LISTING	ETL Listed
INCLUDES	



## LAMPING SPECIFICATIONS

	LED LAMP	INTEGRATED LED	NON LED	NO LAMP
DELIVERED LUMENS		5100		
WATTS		123.6		
MAX WATTAGE PER BULB		123.6W		
		120V ELV, TRIAC		
CCT		3000K		
CRI		90 CRI		
LED LIFETIME		>50000		
L70				
AVERAGE BULB HOURS				
FIELD SERVICEABLE LED				
LAMP BASE		Integrated LED		
LAMP SHAPE		Integrated LED		
LAMP INCLUDED?		True		
WARRANTY**		5 Years		

\* Dimming information available at [www.techlighting.com/Downloads#dimming](http://www.techlighting.com/Downloads#dimming)

\*\* Visit [techlighting.com](http://techlighting.com) for specific warranty limitations and details.

## T20 / T24 / JA8 INFORMATION

	Integrated LED	Replacement LED Lamp	No Lamp *
This product can be used to comply with California Building Energy Efficiency Standards 2016 Title 24 Part 6 / JA8.	Yes		
This product can be used to comply with California Appliance Efficiency Standards 2016 Title 20 and may be shipped to and sold in California.			

\* If a light fixture or component does not include a lamp or light source, it is the responsibility of the customer to select a lamp that meets the T24 and T20 requirements.

