

PRODUCT FEATURES

- Unique sand cast aluminum backplate and shade features natural texture & deep weathered zinc finish
- Complementary Fett ceiling light and Fett pendant light also available from Tech Lighting
- Medium scale contemporary wall sconce light
- Fully dimmable LED and incandescent lamping options to create the desired ambiance
- Ships with choice of LED or incandescent lamp included saving you time and money
- Protected by a 1-year warranty, please visit www.techlighting.com for details



Weathered Zinc

LAMPING

Rated for (1) 60w max, E26 medium based lamp (Not Included). LED includes 3.5 watt, 300 delivered lumen, 2700K medium base LED squirrel cage lamp. Mounts up or down.



Weathered Zinc

ORDERING INFORMATION

700WSFET	COLOR	LAMP
	E WEATHERED ZINC	NO LAMP -LED927 LED T14 90 CRI 2700K 120V

700WSFET _____

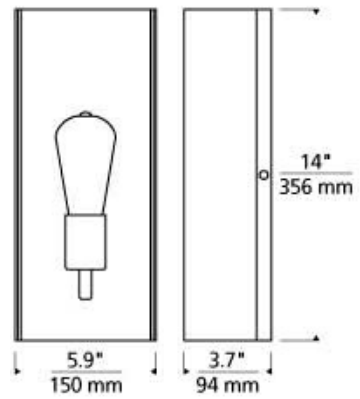
JOB NAME _____

NOTES _____



SPECIFICATIONS

HARDWARE MATERIAL	Metal
SHADE MATERIAL	Metal
NET WEIGHT	7.5 lbs
HEIGHT	14in
WIDTH	3.7in
LENGTH	5.9in
MIN. EXTENSION FROM WALL	3.7in
UP LIGHT / DOWN LIGHT / BOTH?	
WET LISTED	
DAMP LISTED	
DRY LISTED	
UP / DOWN	
HORIZONTAL / VERTICAL	
WALL / CEILING MOUNT	
GENERAL LISTING	
ADA COMPLIANT	
INCLUDES	



LAMPING SPECIFICATIONS

	LED LAMP	INTEGRATED LED	NON LED	NO LAMP
DELIVERED LUMENS				
WATTS	3.5			
MAX WATTAGE PER BULB	60W			60W
INPUT VOLTAGE	120V			120V
DIMMING TYPE*	0-10, ELV			
CCT	2700K			
CRI	90 CRI			
LED LIFETIME				
L70				
AVERAGE BULB HOURS	25000			
FIELD SERVICEABLE LED				
LAMP BASE	E26 Medium Base			E26 Medium Base
LAMP SHAPE	T14			
LAMP INCLUDED?	Y			N
WARRANTY**	1 Year			1 Year

* Dimming information available at www.techlighting.com/Downloads#dimming

** Visit techlighting.com for specific warranty limitations and details.

T20 / T24 INFORMATION

	Integrated LED	Replacement LED Lamp	No Lamp *
This product can be used to comply with California Building Energy Efficiency Standards 2016 Title 24 Part 6.		No	No
This product can be used to comply with California Appliance Efficiency Standards 2016 Title 20 and may be shipped to and sold in California.		No	Yes

* If a light fixture or component does not include a lamp or light source, it is the responsibility of the customer to select a lamp that meets the T24 and T20 requirements.

