

DESSAU 46 FLOOR LAMP

VISUAL COMFORT & CO.

PRODUCT FEATURES

- From the brand formerly known as Tech Lighting
- Inspired by the traditional pharmacy lamp and updated with a modern design housing a slim recessed panel of integrated LED lights.
- Available in modern finishes
- Illuminated arm rotates 35° in each direction providing task lighting where you need it.
- Fixture includes an integrated 3-step touch dimmer to conveniently achieve your preferred ambiance. Includes 6 feet of black cloth cord
- This item is made of natural brass. It is a living finish that will patina and warm with age which adds richness. If it gets an uneven patina or spots, a brass cleaner can restore the finish

LAMPING

Includes 120-240 volt 10.4 watts, 548 delivered lumens, 90 CRI 2700K LED module. Built-in three way dimming. Includes 6 feet of black cloth cord.



Nightshade Black



To view all available finish options, please visit techlighting.com

ORDERING INFORMATION

700PRTDES	SHAPE OR SIZE	FINISH	LAMP
	46 46	NB NATURAL BRASS B NIGHTSHADE BLACK N POLISHED NICKEL	-LED927 INTEGRATED LED 90 CRI 2700K 120V

700PRTDES _____

JOB NAME _____

NOTES _____

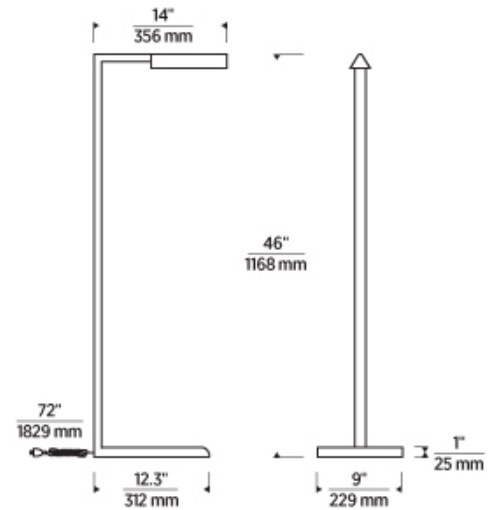


DESSAU 46 FLOOR LAMP

VISUAL COMFORT & Co.

SPECIFICATIONS

PRIMARY MATERIAL	Aluminum
SHADE MATERIAL	Aluminum
NET WEIGHT	5 lbs
HEIGHT	46in
WIDTH	9in
LENGTH	14in
WET LISTED	
DAMP LISTED	
DRY LISTED	
GENERAL LISTING	ETL Listed
INCLUDES	



LAMPING SPECIFICATIONS

	LED LAMP	INTEGRATED LED	NON LED	NO LAMP
DELIVERED LUMENS		548.0		
WATTS		10.4		
MAX WATTAGE PER BULB		10.4W		
		120V-240V Integrated 3-Step Touch Dimmer		
CCT		2700K		
CRI		90 CRI		
LED LIFETIME		>50000		
AVERAGE BULB HOURS				
FIELD SERVICEABLE LED				
LAMP BASE		Integrated LED		
LAMP SHAPE		Integrated LED		
LAMP INCLUDED?		True		
WARRANTY**		5 Years		

* Dimming information available at www.techlighting.com/Downloads#dimming

** Visit techlighting.com for specific warranty limitations and details.

T20 / T24 / JA8 INFORMATION

	Integrated LED	Replacement LED Lamp	No Lamp *
This product can be used to comply with California Building Energy Efficiency Standards 2016 Title 24 Part 6 / JA8.	No		
This product can be used to comply with California Appliance Efficiency Standards 2016 Title 20 and may be shipped to and sold in California.	Yes		

* If a light fixture or component does not include a lamp or light source, it is the responsibility of the customer to select a lamp that meets the T24 and T20 requirements.

