

Strikingly elegant in its simplicity, the Chara 26 Wall Sconce is a tubular design that creates a modern industrial look. Designed with a die-cast aluminum structure, powder coat finish, and stainless steel hardware for robust durability in harsh elements. Appropriate for commercial use. Available as Square or Round in three sizes.

Outstanding protection against the elements:

- Powder coat finish
- Stainless Steel mounting hardware
- IP65 rated

SPECIFICATIONS

LUMENS	1286
WATTS	11.8
VOLTAGE	Universal 120-277V, with integral transient 2.5kV surge protection (driver)
DIMMING	0-10, ELV, Triac
LIGHT DISTRIBUTION	Symmetric
OPTICS	Not applicable
MOUNTING OPTIONS	Wall
ADJUSTABILITY	None
CCT	3000K
CRI	90+
COLOR BINNING	3 Step
BUG RATING	B1-U4-G0
DARK SKY	Non-Compliant
WET LISTED	IP65
GENERAL LISTING	ETL
CALIFORNIA TITLE 24	Can be used to comply with CEC 2019 Title 24 Part 6 for outdoor use. Registration with CEC Appliance Database not required.
START TEMP	-30°C
FIELD SERVICEABLE LED	Yes
CONSTRUCTION	Aluminum
HARDWARE	Stainless Steel
FINISH	Powder Coat
LED LIFETIME	L70: >60,000 Hours
WARRANTY*	5 Years
WEIGHT	4 lbs.

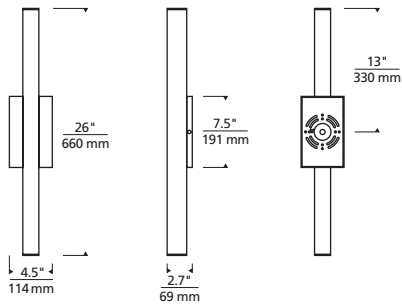


CHARA 26 OUTDOOR WALL
shown in black

* Visit techlighting.com for specific warranty limitations and details.

ORDERING INFORMATION

PRODUCT	CRI/CCT	LENGTH	FINISH	FUNCTION	VOLTAGE	DISTRIBUTION
7000WCHA	930 90 CRI, 3000K	26 26"	B BLACK	UD UPLIGHT/DOWNLIGHT	UNV 120V-277V	S SYMMETRIC



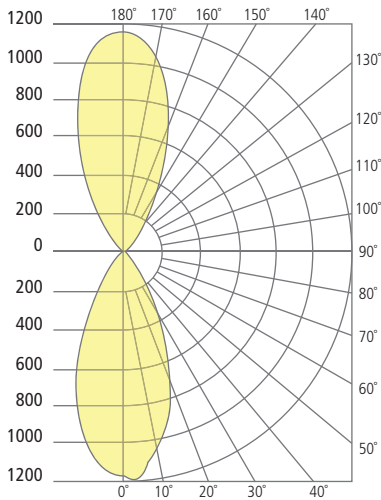
Chara 26 Outdoor Wall

PHOTOMETRICS*

*For latest photometrics, please visit www.techlighting.com/OUTDOOR

CHARA 26 OUTDOOR WALL - 0°

Total Lumen Output: 1286
 Total Power: 11.8
 Luminaire Efficacy: 109
 Color Temp: 3000K
 CRI: 90+
 BUG Rating: B1-U4-G0



PROJECT INFO

FIXTURE TYPE & QUANTITY

JOB NAME & INFO

NOTES



© 2020 Tech Lighting, L.L.C. All rights reserved. The "Tech Lighting" graphic is a registered trademark. Tech Lighting reserves the right to change specifications for product improvements without notification.

TECH LIGHTING

VISUAL COMFORT & Co.

7400 Linder Avenue, Skokie, Illinois 60077

T 847.410.4400