

COLUMN 4-LIGHT CHANDELIER

PRODUCT FEATURES

- Inspired by the cascading chandelier and designed with cylinder tubes to express dynamic volume and visual interest.
- Available in two modern finishes, Nightshade Black and Natural Brass that will patina over time.
- Complete the look with the entire Column Collection including Line-Voltage Pendants, Chandeliers and Floor Lamp.
- Dimmable with most LED compatible ELV, Triac dimmers.
- Includes (2) 6" and (4) 12" rigid stems in coordinating finish
- Protected by a 5-year warranty. Please visit the "About Us" Page on techlighting.com for more for warranty details



Nightshade Black

LAMPING

Includes 32 watts, 1100 total delivered lumens, 3000K LED modules. Dimmable with most LED compatible ELV and TRIAC dimmers. Includes (4) 12" and (2) 6" rigid stems in coordinating finish. Cannot be installed on sloped ceiling.



Nightshade Black

Natural Brass

ORDERING INFORMATION

700CLM	SHAPE OR SIZE	FINISH	LAMP
	4 4 LIGHT	NB NATURAL BRASS B NIGHTSHADE BLACK	-LED930 INTEGRATED LED 90 CRI 3000K 120V

This product can mount to either a 4" square electrical box with round plaster ring or an octagon electrical box.

700CLM _____

JOB NAME _____

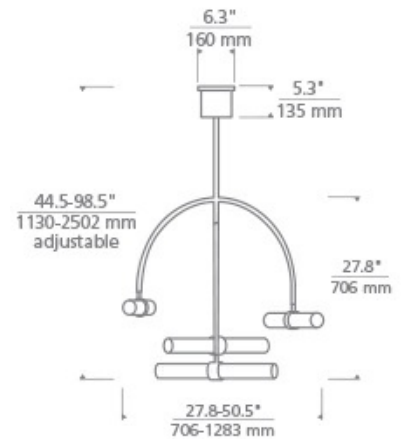
NOTES _____



CALUMN 4-LIGHT CHANDELIER

SPECIFICATIONS

HARDWARE MATERIAL	Metal
SHADE MATERIAL	Glass
NET WEIGHT	9.5 lbs
HEIGHT	28.1in
WIDTH	50.5in
LENGTH	50.5in
UP LIGHT / DOWN LIGHT / BOTH?	
WET LISTED	
DAMP LISTED	Yes
DRY LISTED	
MIN. HANGING HEIGHT	44.5in
MAX HANGING HEIGHT	98.5in
TOTAL CORD LENGTH	
TOTAL STEM LENGTH	Up to 60in
STEM QTY	6
SLOPED CEILING ADAPTABLE?	
GENERAL LISTING	
INCLUDES	



LAMPING SPECIFICATIONS

	LED LAMP	INTEGRATED LED	NON LED	NO LAMP
DELIVERED LUMENS		1100		
WATTS		16		
MAX WATTAGE PER BULB		32W		
INPUT VOLTAGE		120V		
DIMMING TYPE*		ELV, TRIAC		
CCT		3000K		
CRI		90 CRI		
LED LIFETIME				
L70				
AVERAGE BULB HOURS		50000		
FIELD SERVICEABLE LED				
LAMP BASE		Integrated LED		
LAMP SHAPE		Integrated LED		
LAMP INCLUDED?		Y		
WARRANTY**		5 Years		

*Dimming information available at www.techlighting.com/Downloads#dimming

** Visit techlighting.com for specific warranty limitations and details.

T20 / T24 INFORMATION

	Integrated LED	Replacement LED Lamp	No Lamp *
This product can be used to comply with California Building Energy Efficiency Standards 2016 Title 24 Part 6.	Yes		
This product can be used to comply with California Appliance Efficiency Standards 2016 Title 20 and may be shipped to and sold in California.	No		

* If a light fixture or component does not include a lamp or light source, it is the responsibility of the customer to select a lamp that meets the T24 and T20 requirements.

