

# BROX CUBE 12 PENDANT

## PRODUCT FEATURES

- The Brox system allows multi-dimensionality for suspending unique geometric shapes, linear lighting, task lighting, or a distinctive light sculpture
- Customize your design with countless configurations
- Available in Nightshade Black Finish
- Light bars rotate 360 degrees and are lockable for direct or indirect illumination
- System includes all components required for installation
- Protected by a 5-year warranty. Please visit the "About Us" Page on [techlighting.com](http://techlighting.com) for more for warranty details



Black



Black

## LAMPING

Includes 15.6 watts, 926 total delivered lumens, 3000K LED modules. Dimmable with most LED compatible ELV and TRIAC dimmers. Can be installed on a sloped ceiling up to 45°.

## ORDERING INFORMATION

700BRX	SHAPE OR SIZE	CRI	COLOR TEMP	LENGTH (A)	FINISH	LAMP
	C CUBE	L9 90 CRI	30 3000K	12.12"	B NIGHTSHADE BLACK	R 24V REMOTE CANOPY S 24V SURFACE CANOPY

700BRX \_\_\_\_\_

JOB NAME \_\_\_\_\_

NOTES \_\_\_\_\_

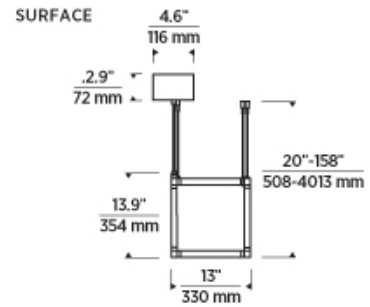
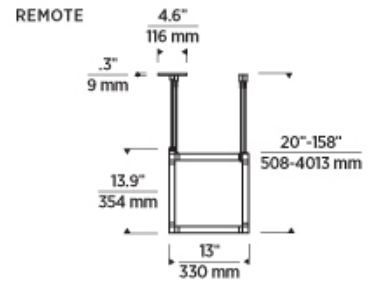
\_\_\_\_\_



# BROX CUBE 12 PENDANT

## SPECIFICATIONS

PRIMARY MATERIAL	Aluminum
SHADE MATERIAL	Acrylic
NET WEIGHT	11 lbs
HEIGHT	13.9in
WIDTH	13in
LENGTH	13in
WET LISTED	
DAMP LISTED	Yes
DRY LISTED	
GENERAL LISTING	ETL Listed
INCLUDES	



## LAMPING SPECIFICATIONS

	LED LAMP	INTEGRATED LED	NON LED	NO LAMP
DELIVERED LUMENS		926.0		
WATTS		15.6		
MAX WATTAGE PER BULB		15.6W		
INPUT VOLTAGE/ DIMMING TYPE				
CCT		3000K		
CRI		90 CRI		
LED LIFETIME				
L70		>50000		
AVERAGE BULB HOURS				
FIELD SERVICEABLE LED				
LAMP BASE		Integrated LED		
LAMP SHAPE		Integrated LED		
LAMP INCLUDED?		True		
WARRANTY**		5 Years		

\* Dimming information available at [www.techlighting.com/Downloads#dimming](http://www.techlighting.com/Downloads#dimming)

\*\* Visit [techlighting.com](http://techlighting.com) for specific warranty limitations and details.

## T20 / T24 / JA8 INFORMATION

	Integrated LED	Replacement LED Lamp	No Lamp *
This product can be used to comply with California Building Energy Efficiency Standards 2016 Title 24 Part 6 / JA8.	Yes		
This product can be used to comply with California Appliance Efficiency Standards 2016 Title 20 and may be shipped to and sold in California.	N/A		

\* If a light fixture or component does not include a lamp or light source, it is the responsibility of the customer to select a lamp that meets the T24 and T20 requirements.

