

Wythe Large and X-Large Chandelier

700WYT8_, 700WYT12_ | 1.0



CHANDELIER

GENERAL PRODUCT INFORMATION:



This product is suitable for indoor locations.

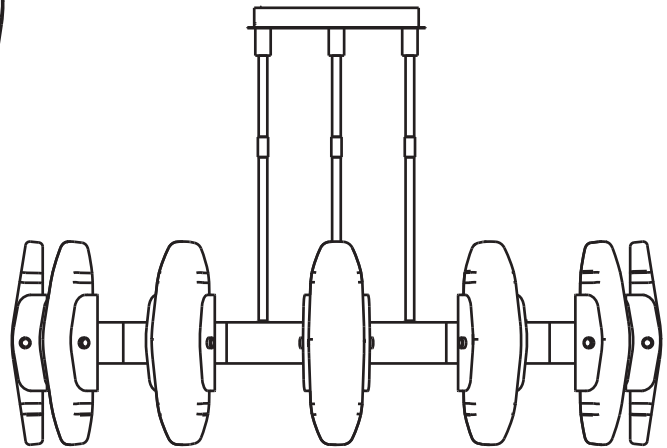
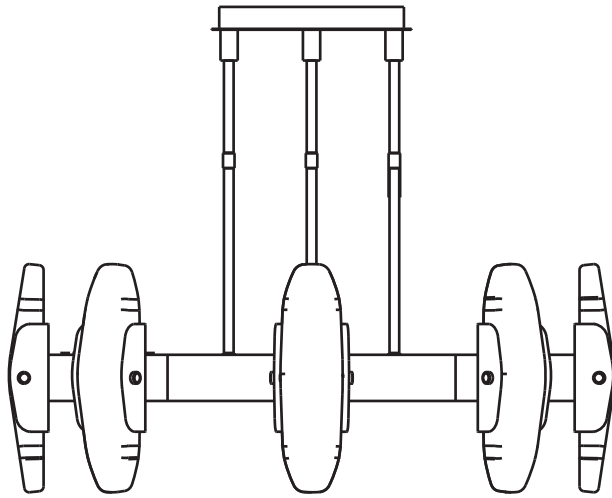
This product can be dimmed with most LED compatible ELV and Triac dimmers.

This instruction shows a typical installation.

CAUTION - RISK OF FIRE
 This product must be installed in accordance with the applicable installation code by a person familiar with the construction and operation of the product and the hazards involved.
Use minimum 90°C supply conductors.

2 PERSON INSTALL

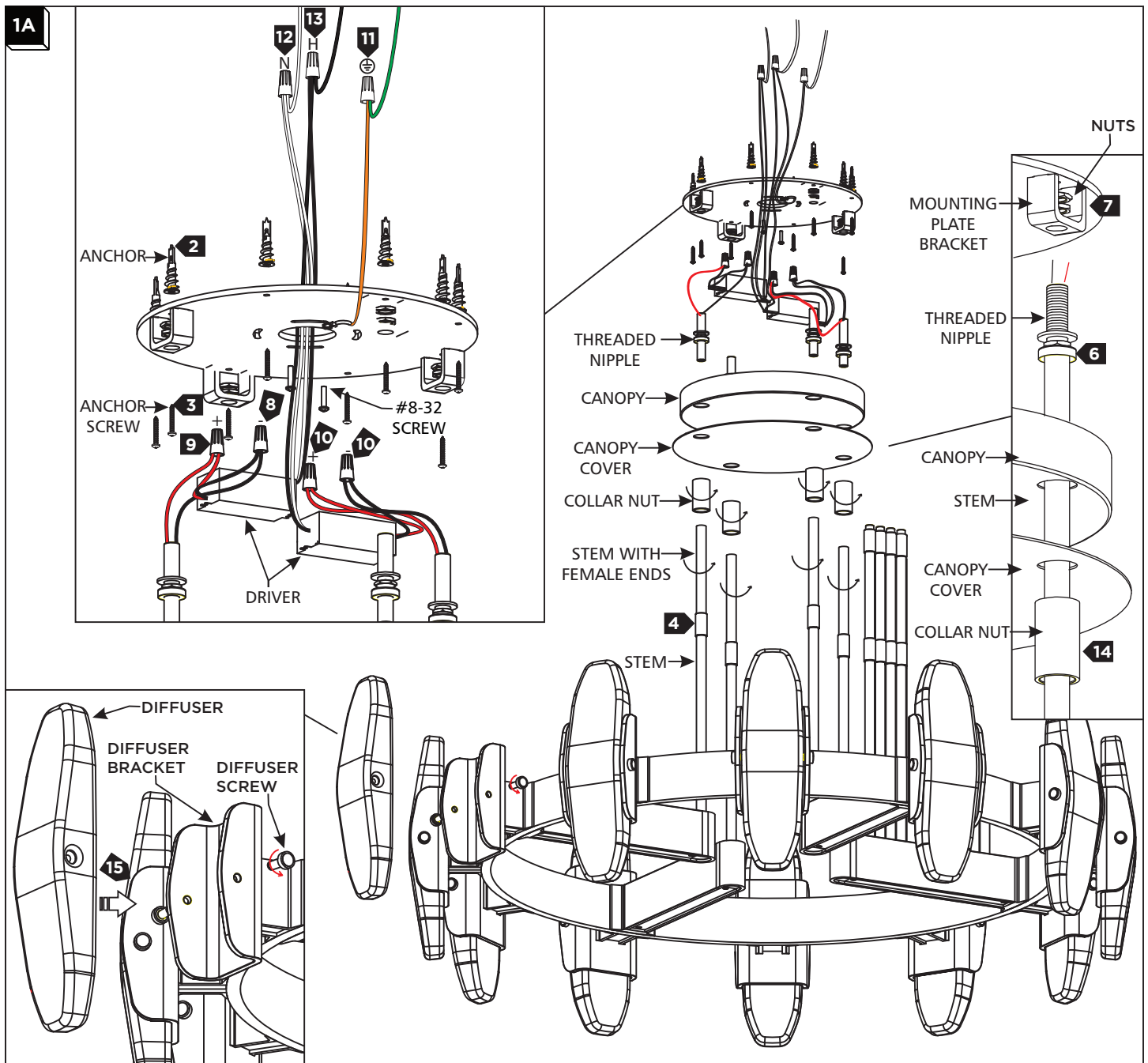
SAVE THESE INSTRUCTIONS!



TECH LIGHTING

7400 Linder Ave., Skokie, IL 60077
T 847.410.4400 | F 847.410.4500
www.techlighting.com

Install the Fixture



- 1** Temporarily secure the mounting plate to the junction box with the provided #8-32 screws and mark the location of the anchors.
- 2** Remove the mounting plate and install the anchors by tapping them in to the drywall then screw them the rest of the way in with a screw driver.
- 3** Reinstall the mounting plate and secure with the anchor screws.
- 4** Assemble the stems to the desired height (ensure that the top stems are the ones with 2 female ends), feed the fixture wires through the stem assembly and screw them onto the fixture.
- 5** Slide a collar nut onto each stem, then align the holes on the canopy cover and canopy to the stems and slide onto the top of the fixture.
- 6** Screw the a threaded nipple onto each stem.
- 7** With the help on an assistant, lift the fixture up to the canopy, slide the threaded nipple into the bracket holes on the mounting plate and secure them in place by installing and tightening a nut onto each threaded nipple. Install and tighten another nut onto each nipple.
- 8** From one set of the fixture wires, connect the negative (-) fixture wire to the negative (-) output driver wire with a wire nut.
- 9** From the same set of fixture wires, connect the positive (+) fixture wire to the positive (+) output driver wire with a wire nut.
- 10** Repeat steps 8 and 9 for the other set of fixture wires and the second driver.
- 11** Connect the fixture to a suitable ground in accordance with local electrical codes.
- 12** Connect the white input driver wires to the neutral power line wire with a wire nut.
- 13** Connect the red input driver wires to the hot power line wire with a wire nut.
- 14** Neatly place the drivers, wires, and wire nut connections inside the canopy, then slide the canopy and the canopy cover up to the ceiling and secure in place with the collar nuts.
- 15** Install a diffuser onto a diffuser bracket and secure it in place with a diffuser screw on each side. Repeat for the rest of the diffusers.