

Kisdon (LED)

700WSKISW_LED_ 1.1



WALL

GENERAL PRODUCT INFORMATION:

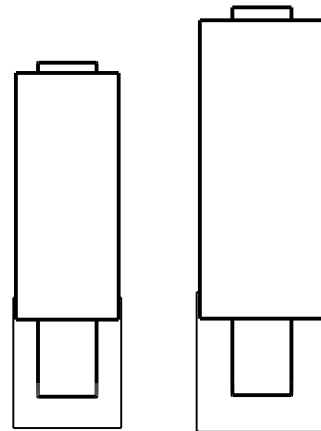
These fixtures are intended to be installed utilizing NEC compliant junction boxes.



This product is suitable for damp locations.

Dimmable with most LED compatible ELV, TRIAC and 0-10V dimmers.

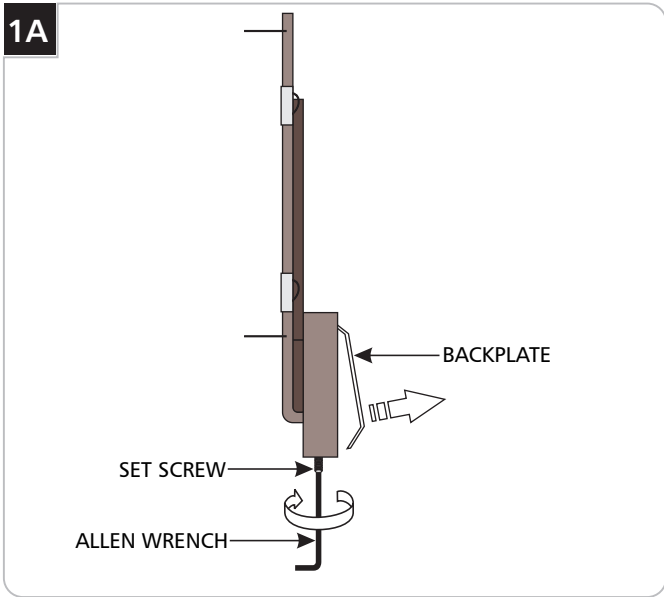
This instruction shows a typical installation.



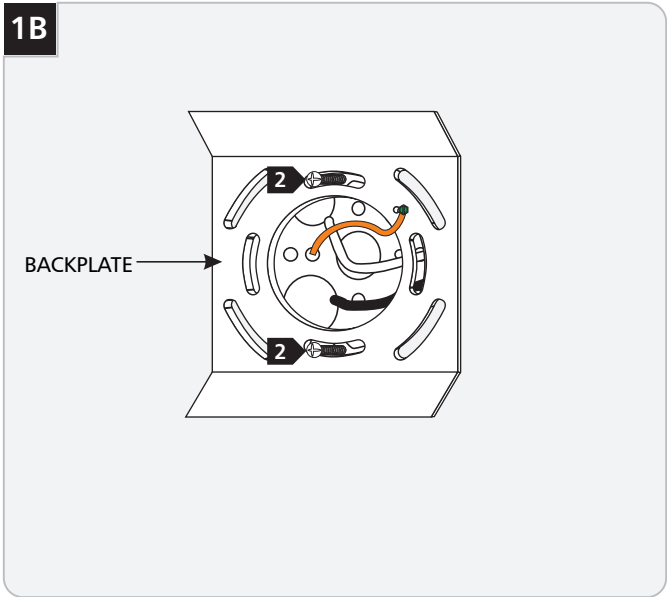
CAUTION - RISK OF FIRE
 This product must be installed in accordance with the applicable installation code by a person familiar with the construction and operation of the product and the hazards involved.
Use minimum 90°C supply conductors.

SAVE THESE INSTRUCTIONS!

Install the Mounting Plate



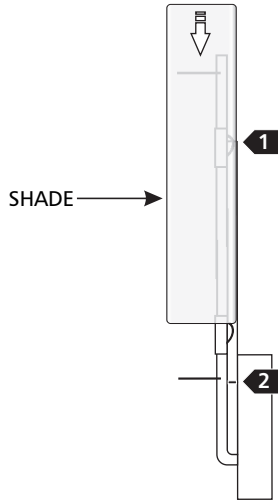
1 Loosen (do not remove) the set screw at the bottom of the fixture and remove the backplate.



2 Screw the backplate to the electrical box.

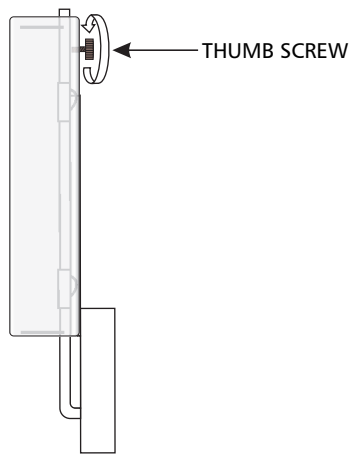
Install the Shade

2A



- 1 Line up the slot in the back side of the glass shade with the guide channel on the fixture.
- 2 Slide the glass shade all the way to the stop. If installing the fixture so the glass points downward, hold the glass in place with one hand until step 6 is complete.

2B

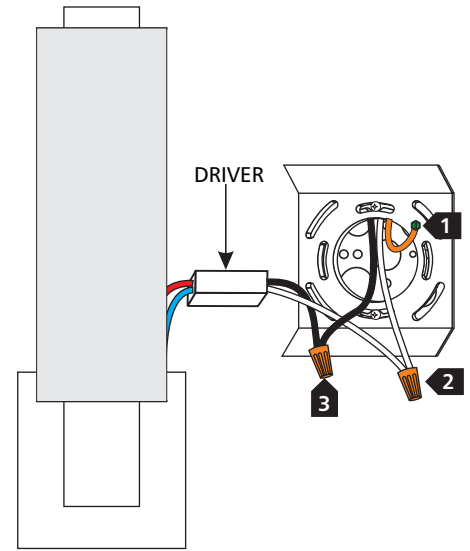


NOTE: Do not over tighten the thumb screw. Over-tightening may break the glass and cause injury.

- 3 Screw the thumb screw into the back of the fixture through the hole in the back of the glass shade.

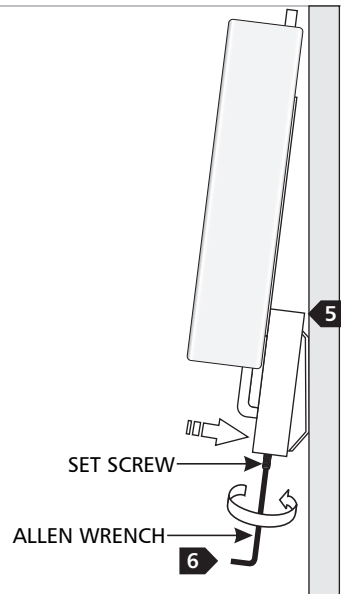
Install the Fixture

3A



- 1 Ground the fixture in accordance with local electrical codes.
- 2 Connect the white driver wire to the neutral power line.
- 3 Connect the black driver wire to the hot power line.

3B



- 4 Place the driver, wires, and wire connections inside the junction box.
- 5 Hook the top of the fixture onto the backplate and place the fixture flush against the wall.
- 6 Tighten the screw at the bottom of the fixture with the provided Allen wrench.

 **TECH LIGHTING**

7400 Linder Ave., Skokie, IL 60077
T 847.410.4400 | F 847.410.4500
www.techlighting.com