

# Ebb Wall

700WSEBB\_ 1.0

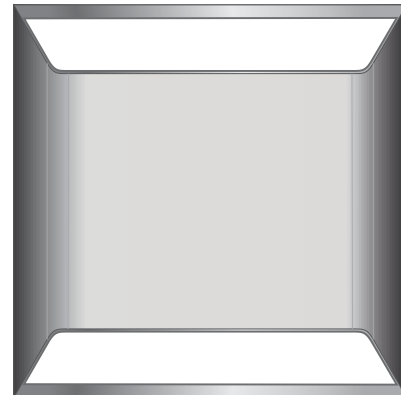


## GENERAL PRODUCT INFORMATION:

These fixtures are intended to be installed utilizing NEC compliant junction boxes.

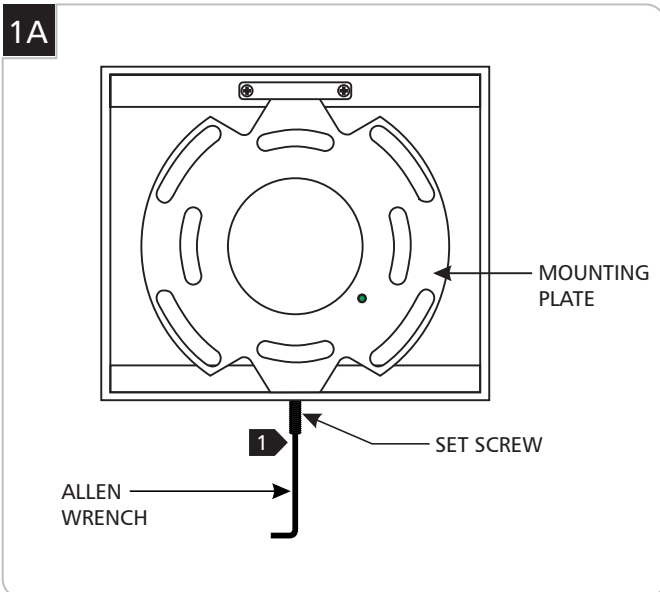
This product is suitable for wet locations.

This product may be dimmed with a low-voltage electronic dimmer.

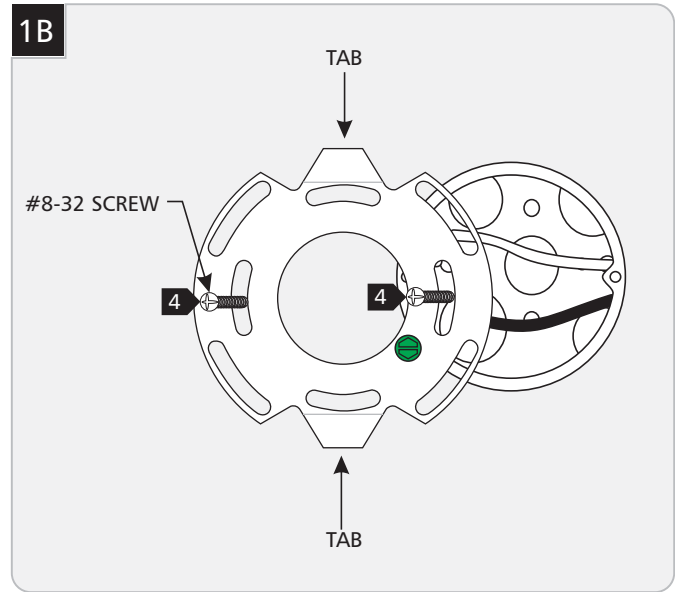


**CAUTION - RISK OF FIRE**  
 This product must be installed in accordance with the applicable installation code by a person familiar with the construction and operation of the product and the hazards involved.  
 Use minimum 90°C supply conductors.

## Install the Fixture

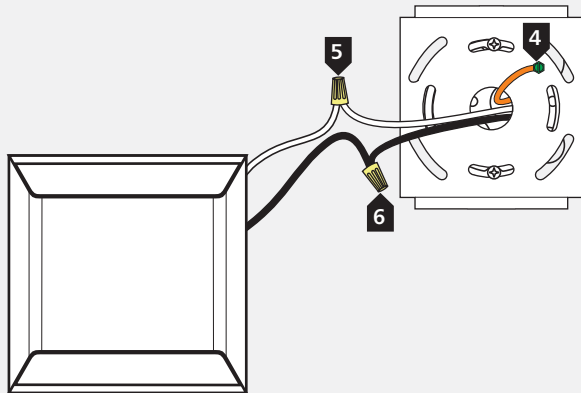


- 1 With the provided Allen wrench, back out (do not fully remove) the set screw at the base of the fixture.
- 2 Remove the mounting plate from the back of the fixture.



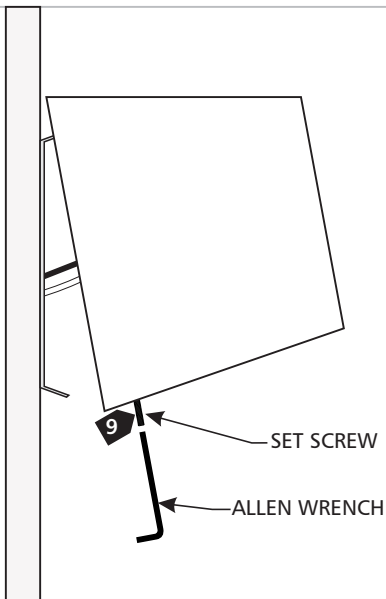
- 3 Ensure that the two tabs on the mounting plate are positioned at the top and bottom and secure the mounting plate to the electrical box with the provided #8-32 screws .

1C



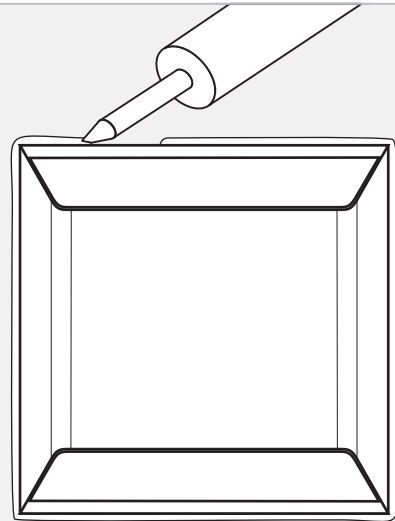
- 4 Connect the ground wire to a suitable ground in accordance with local electrical codes.
- 5 Connect the white driver wire to the neutral power line with a wire nut.
- 6 Connect the black driver wire to the hot power line with a wire nut.

1D



- 7 Properly place all wires and wire nut connections into the electrical box.
- 8 Hook the top of the fixture to the top of the mounting plate and swing the bottom of the fixture toward the plate until it is flush with the wall.
- 9 Tighten the set screw at the bottom of the fixture.

1E



- 10 For wet locations, caulk around the base with waterproof construction sealant.

SAVE THESE INSTRUCTIONS!



TECH LIGHTING®

7400 Linder Ave, Skokie, IL 60077

847.410.4400

[www.techlighting.com](http://www.techlighting.com)

© 2016 Tech Lighting, L.L.C. All rights reserved. The "Tech Lighting" graphic is a registered trademark of Tech Lighting, L.L.C. Tech Lighting reserves the right to change specifications for product improvements without notification.

A Generation Brands Company