

# Bolt Head

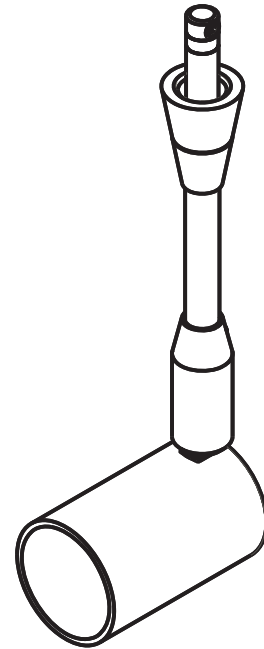
700FJBLT\_ 1.0



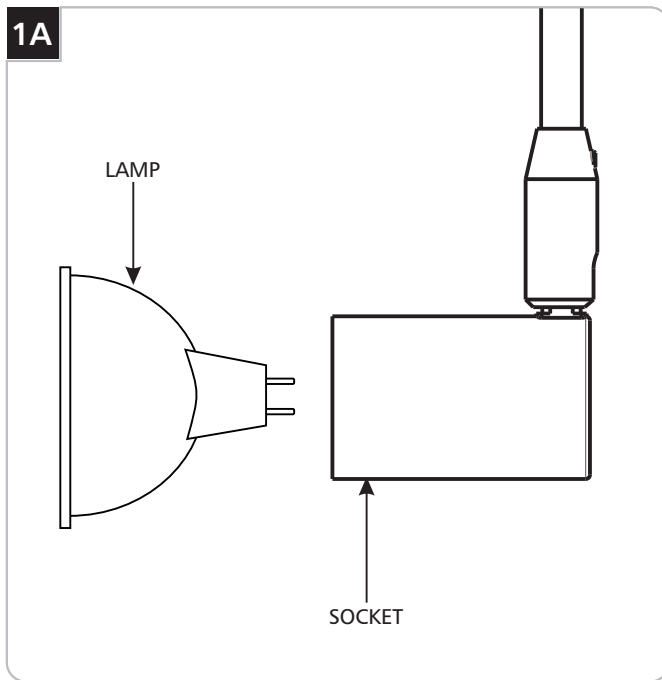
## GENERAL PRODUCT INFORMATION:



This product is ETL listed and suitable only for indoor dry locations and approved for use at any height above the finished floor.



## Install the Lamp

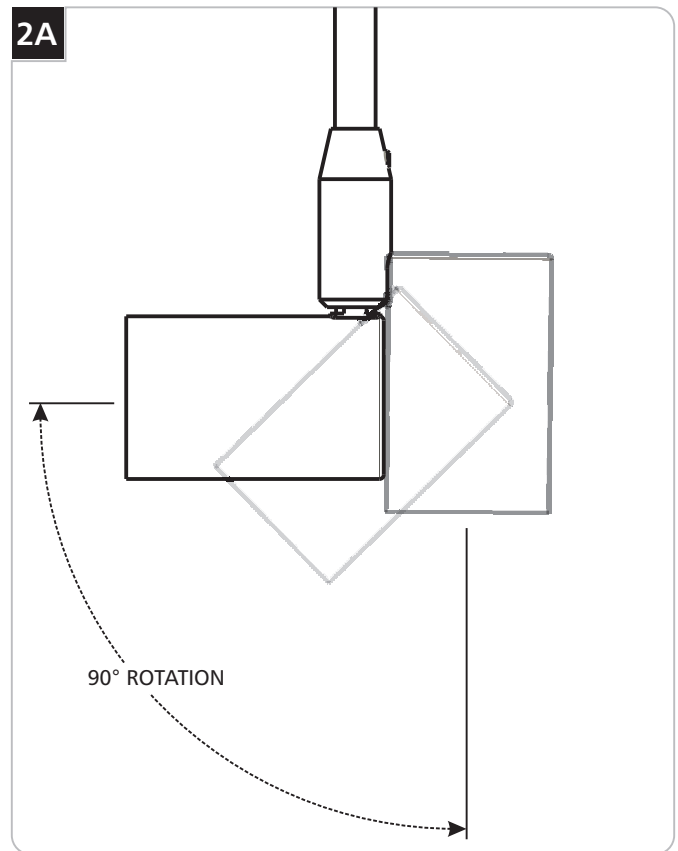


**CAUTION:** To reduce the risk of a burn or electric shock during accessory installation, disconnect the power to the fixture.

Use **MAX 50 Watt MR16 Front Cover Lamp.** 

**1** Push the lamp pins completely into the socket.

## Adjust the Fixture



**1** Rotate the socket up to 90°.

**SAVE THESE INSTRUCTIONS!**



**TECH LIGHTING®**

7400 Linder Ave, Skokie, IL 60077

847.410.4400

[www.techlighting.com](http://www.techlighting.com)

© 2019 Tech Lighting, L.L.C. All rights reserved. The "Tech Lighting" graphic is a registered trademark of Tech Lighting, L.L.C. Tech Lighting reserves the right to change specifications for product improvements without notification.

A Generation Brands Company