

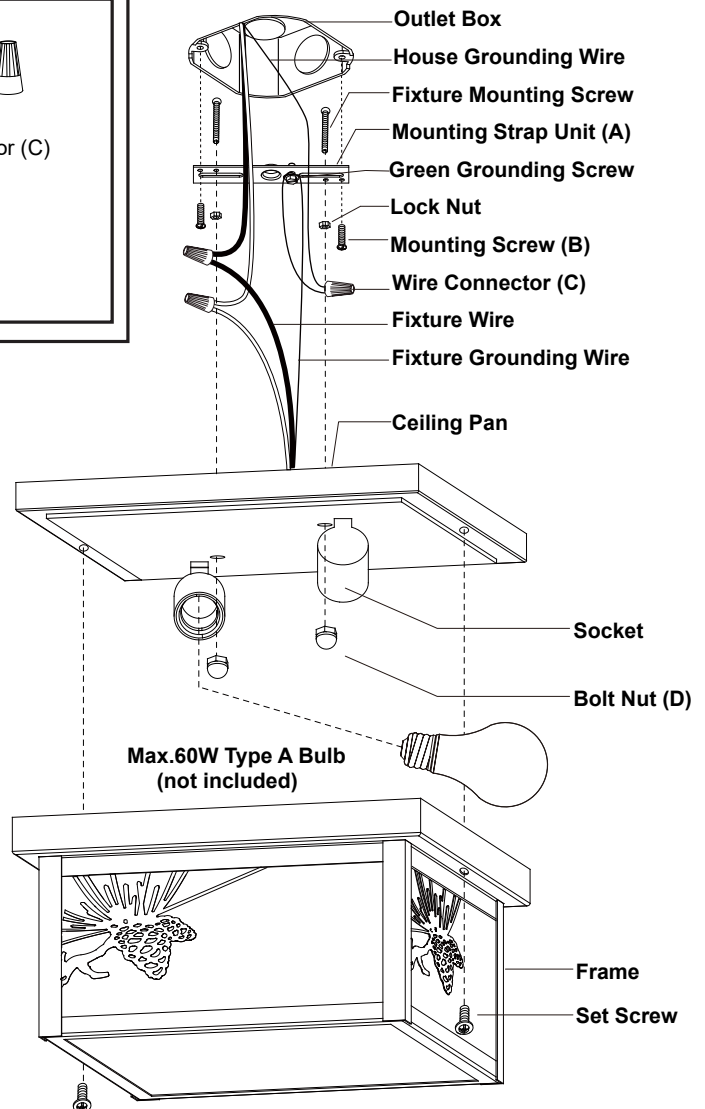
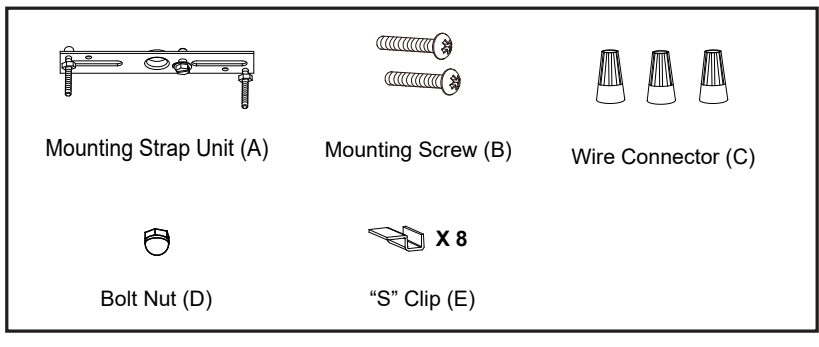
ASSEMBLY AND INSTALLATION INSTRUCTIONS

T0516

WARNING: Turn off the main power at circuit breaker before installing fixture.
AVERTISSEMENT: Coupez la source d'alimentation principale au panneau central de disjoncteurs avant d'installer le luminaire.

NOTES: 1. Before installing, consult local electrical codes for wiring and grounding requirements.
 2. READ AND SAVE THESE INSTRUCTIONS.

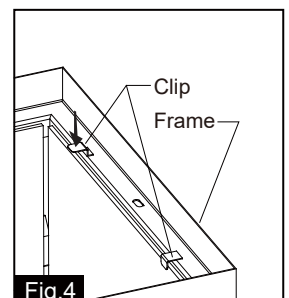
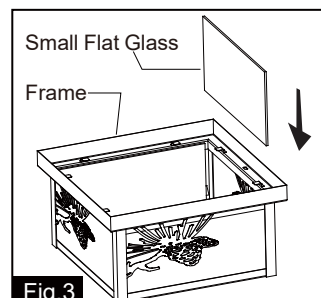
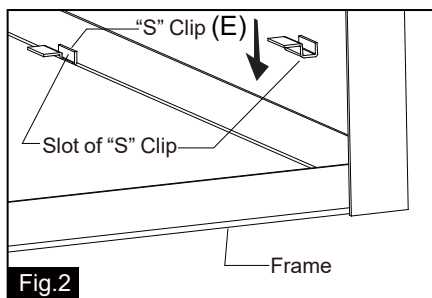
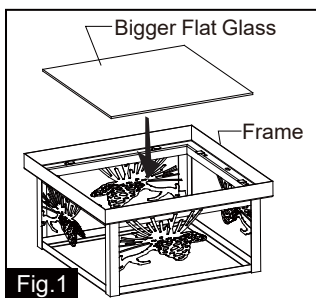
Hardware Package (included):



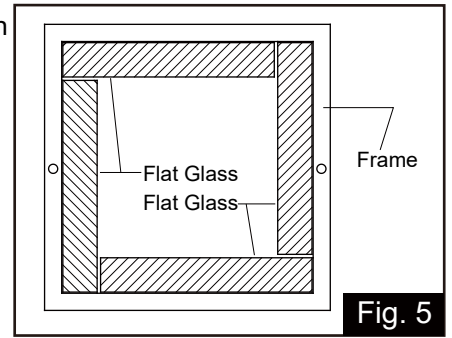
Installation Steps

Turn off the power at fuse or circuit box.

1. Unscrew the set screws and remove the frame away from the ceiling pan.
2. Unscrew the two bolt nuts (D). Remove the mounting strap unit (A) from the ceiling pan.
3. Attach the mounting strap unit (A) to the outlet box by using two mounting screws (B). Adjust the length of the preinstalled fixture mounting screws if necessary.
4. Gently place a bigger flat glass into the bottom of the interior frame, secure it by placing 8 pieces of "S" clips (E) (two on each side of the interior frame) into position. (See Fig.1 & Fig.2)



5. Gently place four smaller flat glasses into four sides of the interior frame into position as shown in Fig.5. With one side locating into the slot of "S" clip, secure the flat glasses by pressing the clips. (See Fig.3 & Fig.4)



6. Pull out the source wires from the outlet box. Make wire connections using wire connectors (C) as follows:

- Connect the hot wire (usually black insulation) from the fixture to the black wire from the power source.
- Connect the neutral wire (usually white insulation) from the fixture to the white wire from the power source.
- Attach the fixture grounding wire (usually green insulation or bare wire) to the mounting strap unit (A) with the green grounding screw (C), then connect it to the house grounding wire with the wire connector (C).

Carefully put all of the wires back into the outlet box.

7. Attach the ceiling pan to the mounting strap unit (A) by inserting two fixture mounting screws, then secure it with the bolt nuts (D).

8. Install bulbs (not included). See relamping label at socket area or packaging for maximum wattage allowed.

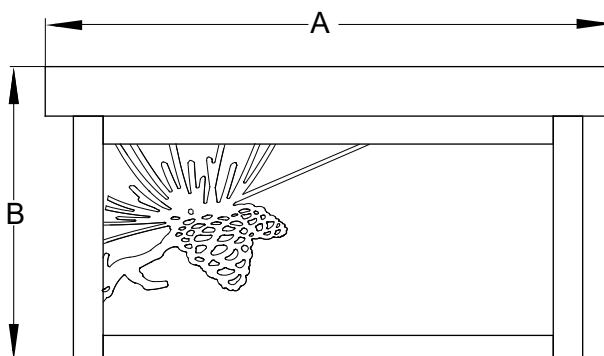
9. Restore the frame back to the ceiling pan using two set screw.

Turn on the power at fuse or circuit box.

The following parts are available for re-order if damaged or missing.

Spare Parts List:

			→ Assembly Kit 6193MM (1SET)		
Mounting Strap Unit (A)	Mounting Screw (B)	Wire Connector (C)			
					10137CS
Bolt Nut (D)	"S" Clip (E)				



A: 11-1/2"

B: 6"