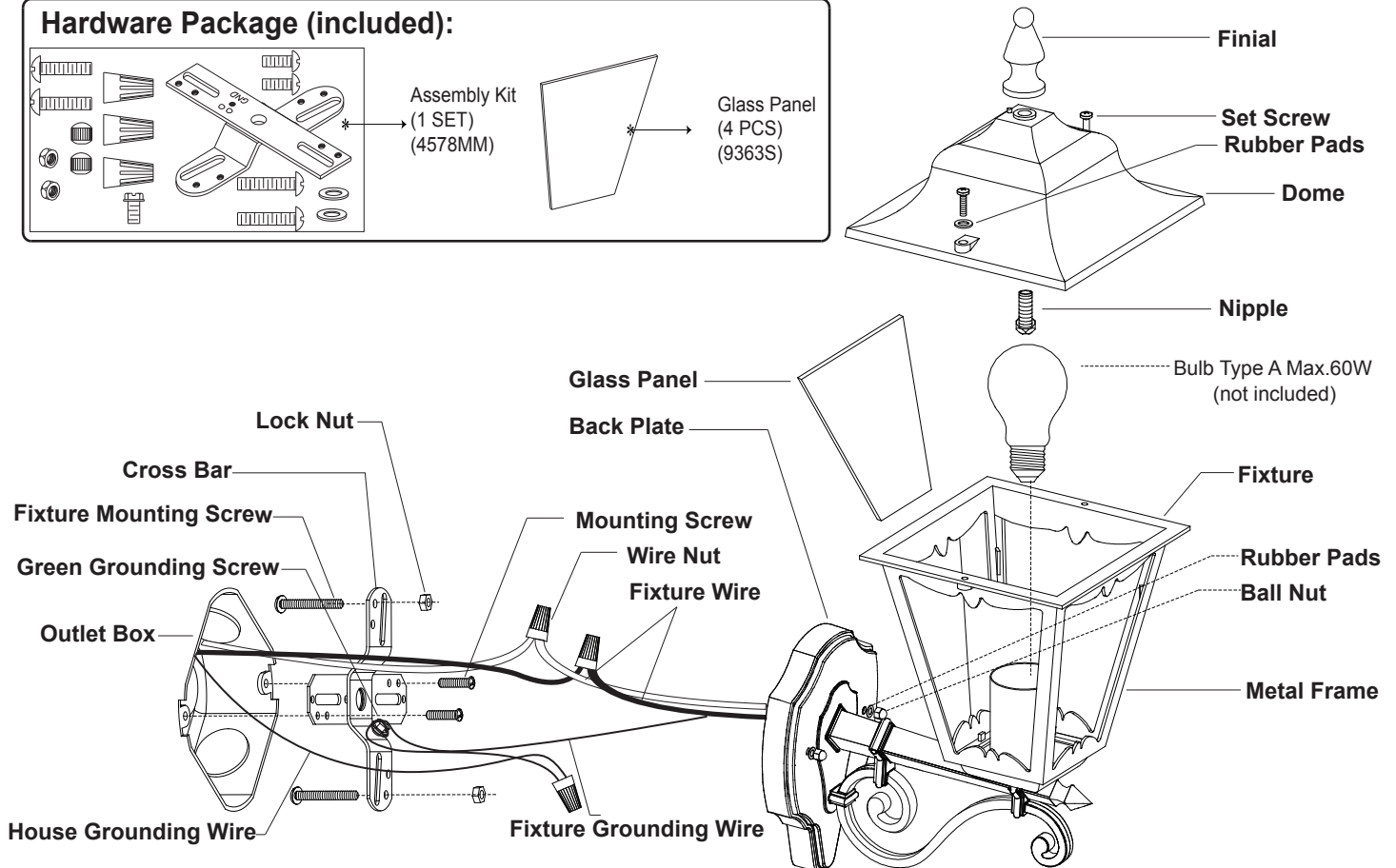
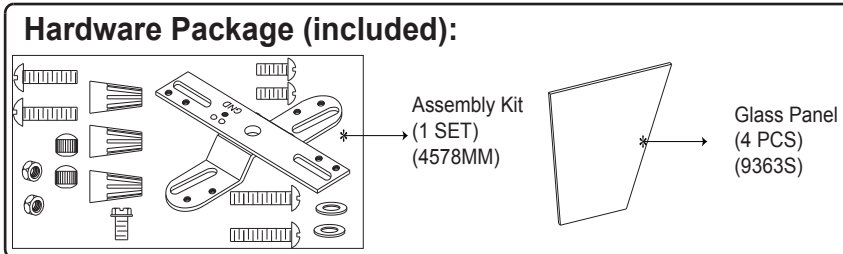


# ASSEMBLY AND INSTALLATION INSTRUCTIONS

T0168

**WARNING:** TO AVOID RISK OF ELECTRICAL SHOCK, BE SURE TO SHUT OFF POWER WHILE INSTALLING OR SERVICING THIS FIXTURE.

NOTES: 1. Before installing, consult local electrical codes for wiring and grounding requirements.  
2. READ AND SAVE THESE INSTRUCTIONS.



1. Thread two fixture mounting screws to the cross bar, and secure them with two lock nuts. Adjust the length of the fixture mounting screws if necessary.
2. Attach the cross bar to the outlet box by using two mounting screws.
3. Install glass panels.
  - a. Gently place a glass panel into the inside of metal frame and make certain side of glass panel sits at inside groove.
  - b. Repeat with other glass panels.
4. Pull out the outlet wires and the house grounding wire from the outlet box. Make wire connections using the wire nuts:
  - Connect the black wire from the fixture to the black wire from the power source.
  - Connect the white wire from the fixture to the white wire from the power source.
  - Attach the fixture grounding wire to the cross bar with the green grounding screw. Then connect it to the house grounding wire with a wire nut.Carefully put the wires back into the outlet box.
5. Attach the back plate to the cross bar by inserting the fixture mounting screws, then secure it with rubber pads and ball nuts.

**CAUTION:** With silicone caulking compound, caulk completely around where the back plate meets with the wall surface to prevent water from seeping into the outlet box.

 **VAXCEL**

170821

6. Install a bulb (not included). See relamping label at socket area or packaging for maximum allowed wattage.
7. Attach the finial onto the dome, then secure it with the nipple.
8. Attach the dome to the metal frame by using two rubber pads and set screws.
9. Turn on the power at the main fuse or circuit breaker box.