

ASSEMBLY AND INSTALLATION INSTRUCTIONS

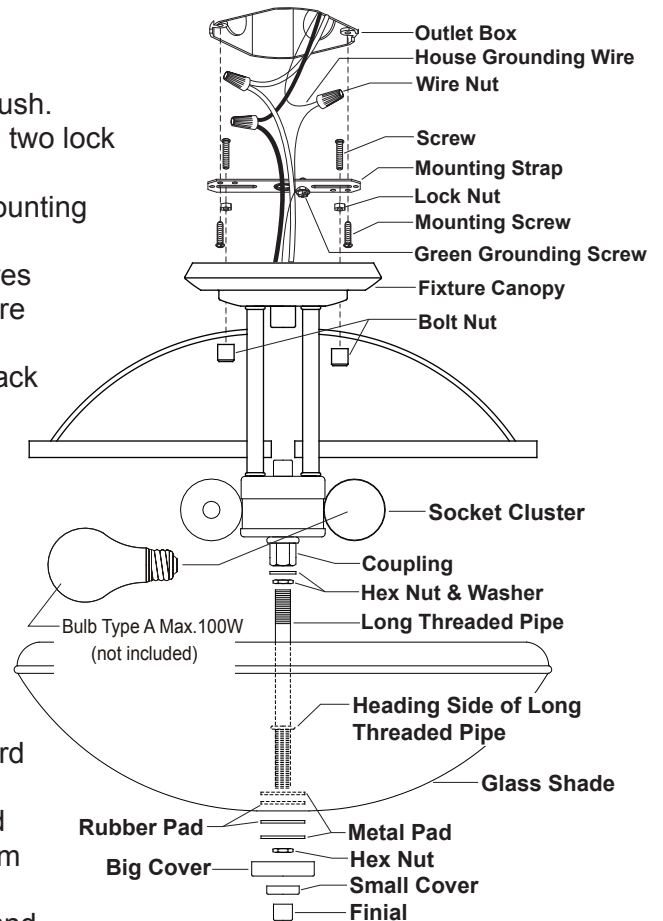
SA-CFU140

WARNING: BE SURE TO SHUT OFF POWER AT THE MAIN FUSE OR CIRCUIT BREAKER BOX BEFORE INSTALLING OR SERVICING THIS FIXTURE.

**NOTE: 1. Before installing, consult local electrical codes for wiring and grounding requirements.
2. READ AND SAVE THESE INSTRUCTIONS.**

For Semi-Flush

1. Take out the parts from the hardware package For Semi-Flush.
2. Attach two screws to the mounting strap, and secure it with two lock nuts. Adjust the length of the screws if necessary.
3. Attach the mounting strap to the outlet box by using two mounting screws.
4. Cut the redundant wires if necessary. Pull out the outlet wires and the house grounding wire from the outlet box. Make wire connections using the wire nuts:
 - Connect the smooth wire (marked) from fixture to the black wire from power source.
 - Connect the ridged wire(unmarked) from fixture to the white wire from power source.
 - Attach the fixture grounding wire to the mounting strap with the green grounding screw. Then connect it to the house grounding wire with the wire nut.
 Carefully put wires back into the outlet box.
5. Unscrew two bolt nuts from the fixture canopy. Attach the fixture canopy to the mounting strap, and secure it with the bolt nuts.
6. Take the long threaded pipe with the heading side downward and screw the other side into the coupling, secure it with a washer and hex nut. Then slip a metal pad, rubber pad and glass shade up through the long threaded pipe, secure them with another rubber pad, metal pad and hex nut.
7. Slide the big cover and small cover up to the glass shade and secure them with the finial.
8. Install bulbs (not included). See relamping label at socket area or packaging for maximum allowed wattage.
9. Turn on the power at the main fuse or circuit breaker box.



For Pendant:(See Fig.1)

1. Take out the parts from the hardware package For Pendant.
2. Attach nipple(-a) to the mounting strap, and secure it with a washer and hex nut.
3. Attach the mounting strap to the outlet box by using two mounting screws.
4. Secure the top loop to nipple(-a).
5. Secure the loop onto nipple(-b).
6. Choose the length of the chain you need, then weave the fixture wire and the fixture grounding wire through the chain, collar and canopy.
7. Connect one end of the chain with the loop by using a loop lock.
8. Connect the other end of the chain with the top loop by using another loop lock.
9. Thread the fixture wire and fixture grounding wire through the top loop, nipple(-a) and mounting strap.
10. Follow step 4 as For Semi-Flush.
11. Attach the canopy to the mounting strap by inserting the top loop, and secure it with the collar.
12. Follow steps 6~9 as For Semi-Flush.

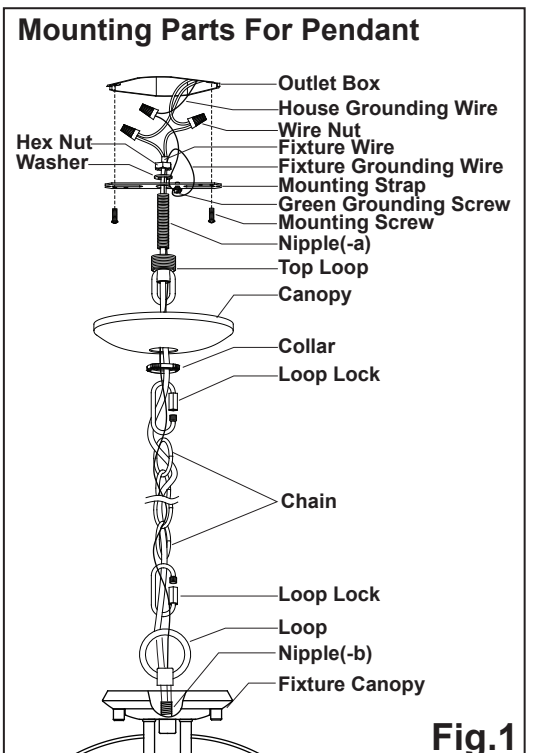


Fig.1