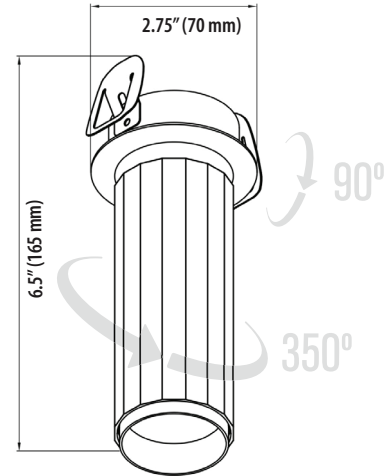


ORBIT SERIES

VMDL004101A008BL



PROJECT:	TYPE:	CATALOG #:	DATE:
----------	-------	------------	-------



SKU:	VMDL004101A008BL
FINISH:	BLACK
LUMEN OUTPUT:	503.99
INPUT VOLTAGE:	120V
COLOR TEMPERATURE:	3000K
CRI: 90	90
DIMMING:	ELV
POSITIONING:	ADJUSTABLE 90° AND ROTATABLE 350°
BEAM ANGLE:	36°
WATTAGE:	8 W
CUT OUT:	2.25" Dia.
ENVIRONMENT:	DRY / IP20
MOUNTING:	SURFACE

FEATURES

- LED Adjustable flush mounted spotlight, ORBIT Series
- Aluminum body structure available in 2 finishes Black and White
- Integrated AC LED fixture, recessed installation
- IC Rated
- OVERALL DIMENSIONS: 2.75" Diameter x 6.5"H
- LIGHT HEAD DIMENSIONS: 2" Diameter x 5"H
- HOLE SIZE: 2.25" Diameter
- LENS BEAM ANGLE: offered in 3 beam angles 15°, 24°, 36°
- ETL, cETL, Title 20 Compliant, Title 24 Compliant, Prop 65 Compliant, Energy Star Compliant
- 3 Year Limited Warranty

THE MEASUREMENTS ARE ROUNDED TO THE NEAREST 1/4"

SAMPLE ORDERING SKU

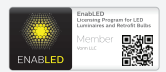
1	2	3	4	5	6
VMDL004101A008BL	08	BL	30K	B36	
1 - SKU	2 - WATTAGE	3 - FINISH	4 - COLOR TEMP.	5 - BEAM ANGLE	6 - OTHER OPTIONS
VMDL004101A	08 - 8 W	BL - Black WH - White*	27K - 2700* 30K - 3000 35K - 3500* 40K - 4000*	B15 -15** B24 -24** B36 -36°	EMD - EMERGENCY DRIVER EMC - EMERGENCY CIRCUIT

NOTES

RELATED PRODUCTS AVAILABLE:

- VMCL004101A008WH
- VMCL004101B016BL
- VMDL004101A008BL
- VMDL004101A008WH

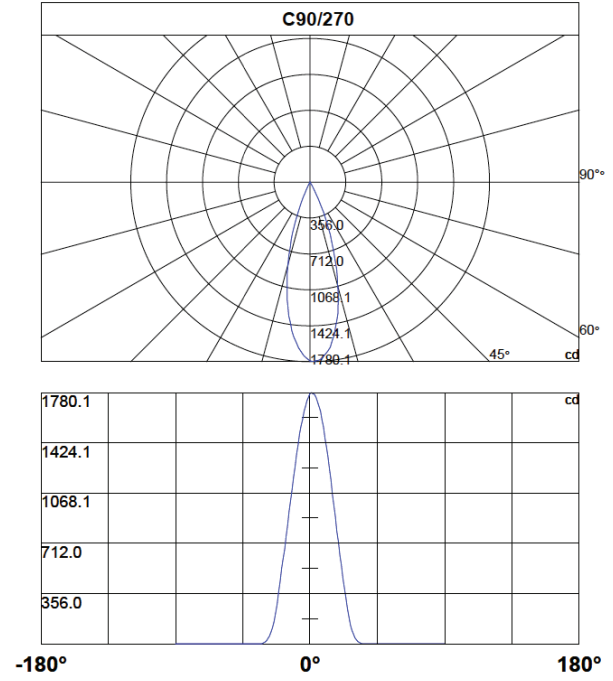
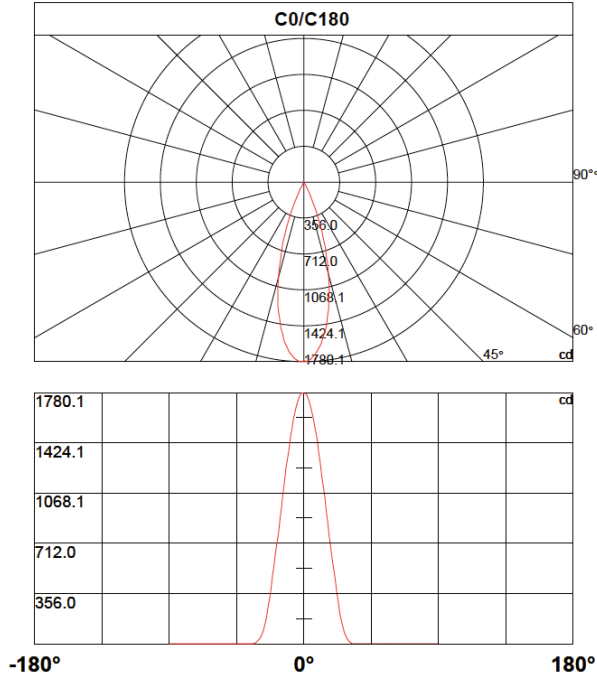
*ANY CUSTOM MODIFICATION WILL SUBJECT TO MINIMUM ORDER QUANTITY. (M.O.Q.)



PROJECT: _____ TYPE: _____ CATALOG #: _____ DATE: _____

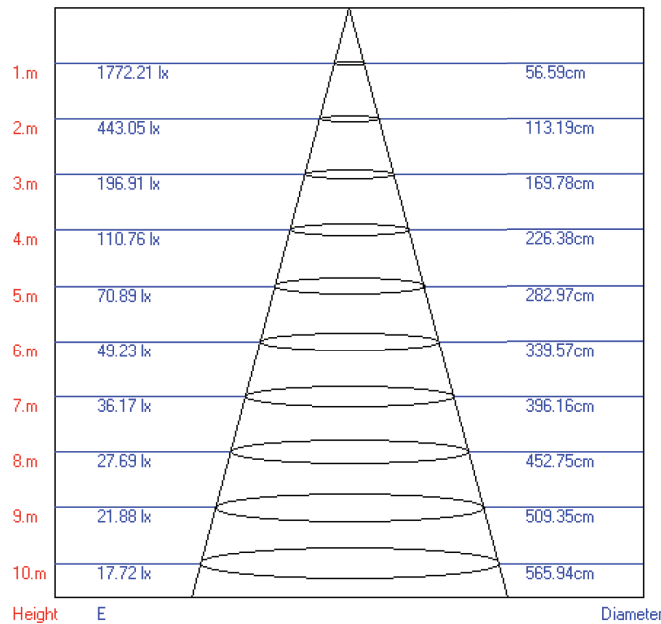
PHOTOMETRICS

30K - 3000 - STANDARD



BEAM ANGLE

30K - 3000 - STANDARD



Beam Angle: 31.60°