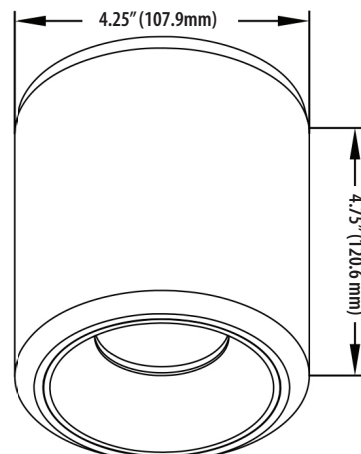


# NODE SERIES

## VMCL001901C020BL



PROJECT: \_\_\_\_\_ TYPE: \_\_\_\_\_ CATALOG #: \_\_\_\_\_ DATE: \_\_\_\_\_



### NOMINAL STANDARD SPECIFICATIONS

SKU:	VMCL001901C020BL
FINISH:	BLACK
LUMEN OUTPUT:	1746.94
INPUT VOLTAGE:	100 - 277V
COLOR TEMPERATURE:	3000K
CRI: 90	90
DIMMING:	0-10V
POSITIONING:	FIXED
BEAM ANGLE:	33.9°
WATTAGE:	20 W
CUT OUT:	0.59" Dia.
ENVIRONMENT:	DRY / IP20
MOUNTING:	SURFACE

### FEATURES

- 4.25" Round LED Surface Mounted Downlight, NODE Series
- Aluminum body structure available in 2 finishes Black and White
- Integrated LED fixture, surface mounted
- IC Rated
- DIMENSIONS: 4.25" Diameter x 4.75"H
- LENS BEAM ANGLE: offered in 3 beam angles 15°, 22°, 33°
- ETL, cETL, Title 20 Compliant, Title 24 Compliant, Prop 65 Compliant, Energy Star Compliant
- 3 Year Limited Warranty

\*\*\*THE MEASUREMENTS ARE ROUNDED TO THE NEAREST 1/4"\*\*\*

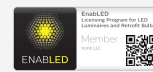
### SAMPLE ORDERING SKU

1	2	3	4	5	6
VMCL001901C	020	BL	30K	B33	
1 - SKU	2 - WATTAGE	3 - FINISH	4 - COLOR TEMP.	5 - BEAM ANGLE	6 - OTHER OPTIONS
VMCL001901C	020 - 20 W	BL - Black WH - White*	27K - 2700* 30K - 3000 35K - 3500* 40K - 4000*	B15 - 15°* B22 - 22°* B33 - 33.9°	EMD - EMERGENCY DRIVER EMC - EMERGENCY CIRCUIT

### NOTES

### RELATED PRODUCTS AVAILABLE:

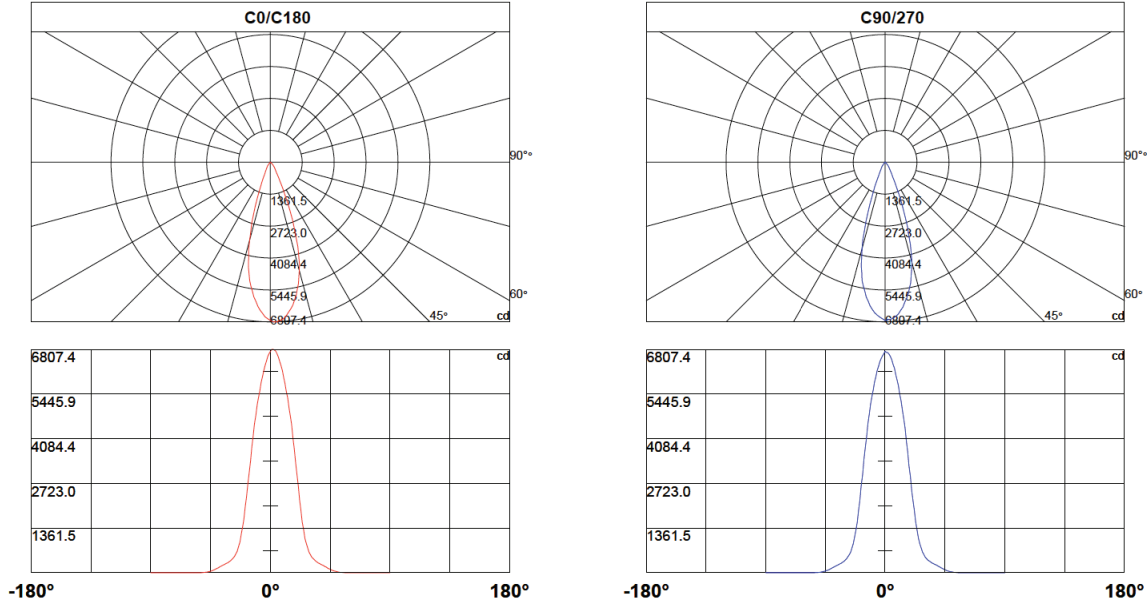
- VMCL001901A012BL
- VMCL001901C020BL
- VMCL001901D020BL
- VMCL001901B012WH



PROJECT: \_\_\_\_\_ TYPE: \_\_\_\_\_ CATALOG #: \_\_\_\_\_ DATE: \_\_\_\_\_

### PHOTOMETRICS

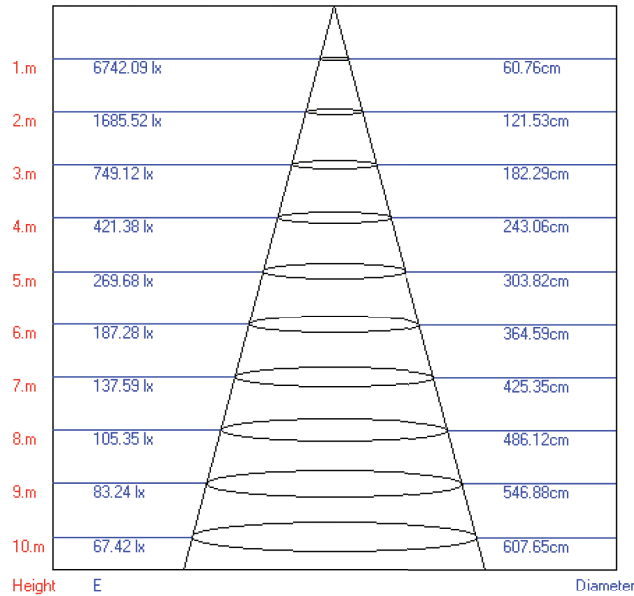
30K - 3000 - STANDARD



### BEAM ANGLE

30K - 3000 - STANDARD

Lux-Distance Curve



Beam Angle:33.80°