



## FEATURES

- Kelvin color changing technology
- Includes remote control for color and dimming functions
- Includes WiFi receiver. Operates from the Mi-Light 3.0 app with purchase of VONN WiFi Control box.
- Aluminum body, acrylic prismatic lens
- Adjustable suspension height
- Dimmable constant voltage driver
- 1375 Lumens
- 62 Watts
- 110 Volts
- Limited Lifetime Warranty

## TECHNOLOGIES

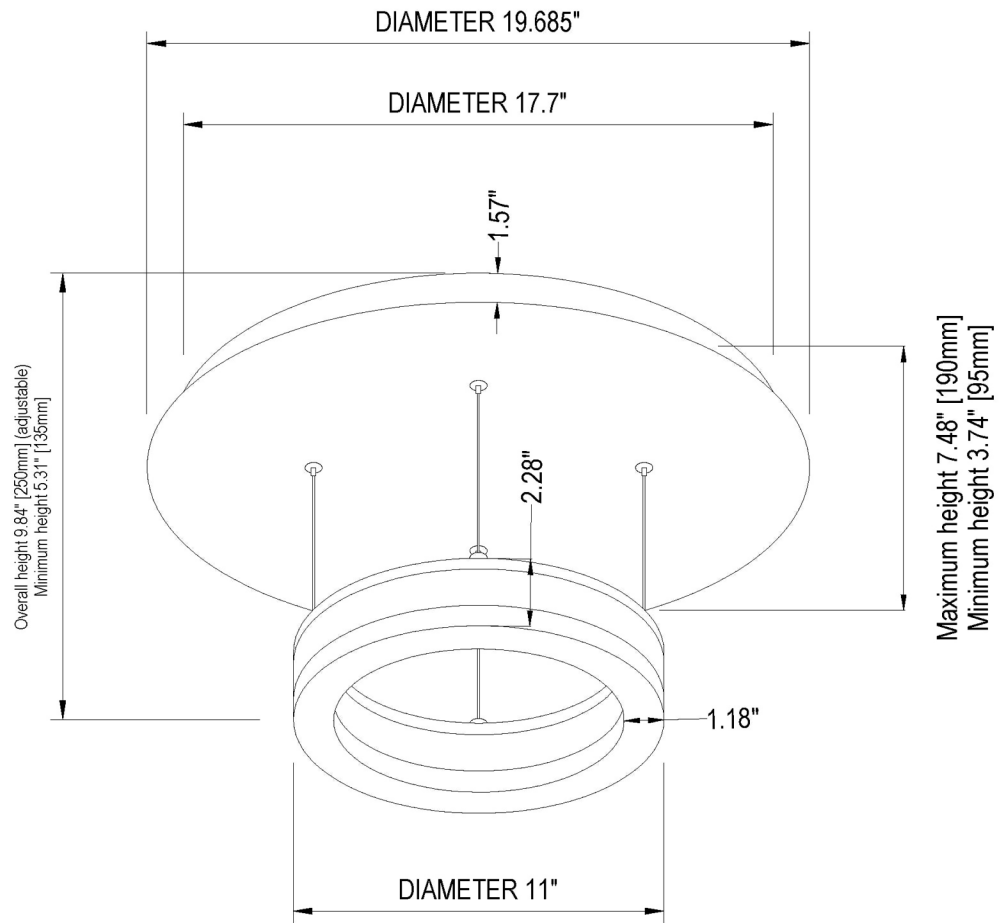
- **SMART KOLOR** - Kelvin color changing and dimming technology, operated by remote or via the Mi-Light 3.0 app (iOS & Android). WiFi connected driver.
- **NOPTICS** - prismatic lenses create a 120° spread of even, full-bodied light.
- **PEARLPURE** - Produces brilliant, full-bodied white light with high color rendering so colors within the room are lit accurately and vibrantly.

## APPLICABLE CERTIFICATIONS

**Q:** What does a "ETL certified" product mean?



**A:** Intertek (ETL) is a nationally recognized, independent product safety certification organization. The ETL Mark is proof of product compliance to North American safety standards. Authorities Having Jurisdiction and code officials across the US and Canada accept the ETL Listed Mark as proof of product compliance to published industry standards.



## AVAILABLE FINISH

