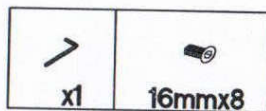
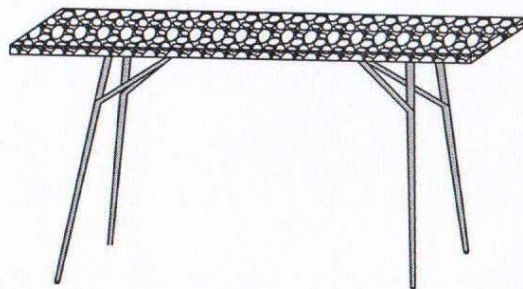
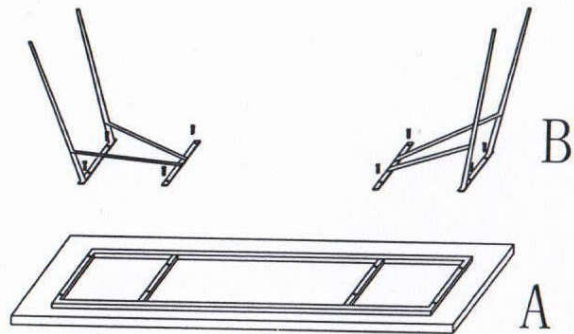




UTTERMOST

Assembly Instruction

24953



1. Take the TOP A carefully out of the carton, and place it upside down on a flat surface, make sure that the TOP A will not be damaged.

2. Take the legs B carefully out of another carton, and fix legs B to TOP A piece by piece.

Multiple people needed because the Top A is very heavy.

Hardware and tool included: allen screws, allen wrench.

To clean, wipe with soft dry cloth.