

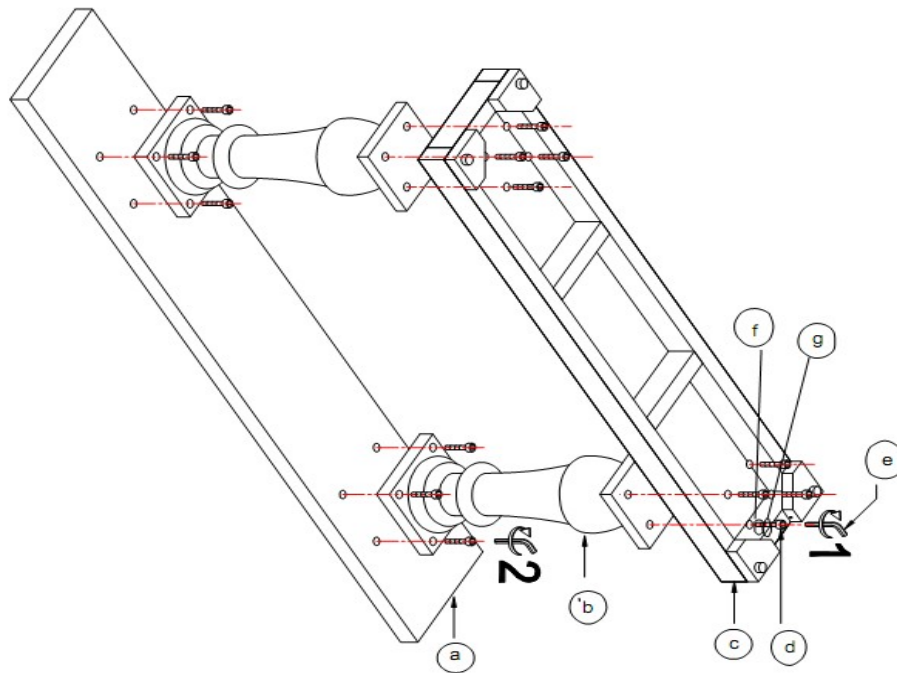
# Assembly Instruction

## ITEM NO.: 24250

### Parts list

a	table top	1 pc
b	table leg	2 pcs
c	shelf	1 pc
d	bolt	16 pcs

e	wrench	1 pc
f	washer	16 pcs
g	lock washer	16 pcs



1. Take the parts carefully out of carton, and then place them on a flat and soft surface, making sure that parts will not be damaged.

2. Place the table top (a) lay on a flat and soft surface, then put the table leg (b) on the (a), use the wrench (e) to tighten up by bolt (d) and washer (f), lock washer (g).

3. Use the same way to assemble the shelf (c)

4. Turn over the table and ha assembly is complete.

To Clean, wipe with soft dry cloth.

PO BOX 558/3325 GRASSY HILL RD. ROCKY MOUNT, VIRGINIA 24151  
[www.uttermost.com](http://www.uttermost.com)