



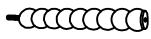



UTTERMOST

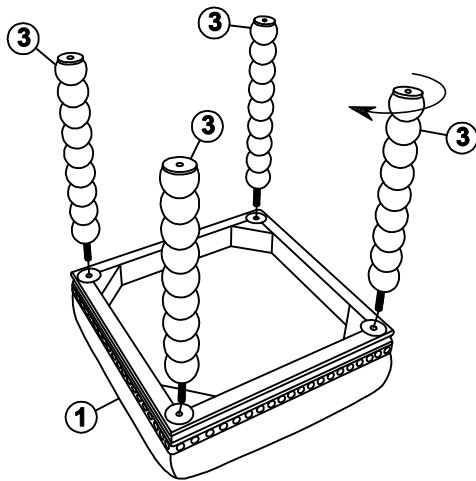
ASSEMBLY INSTRUCTION

ITEM: 23495

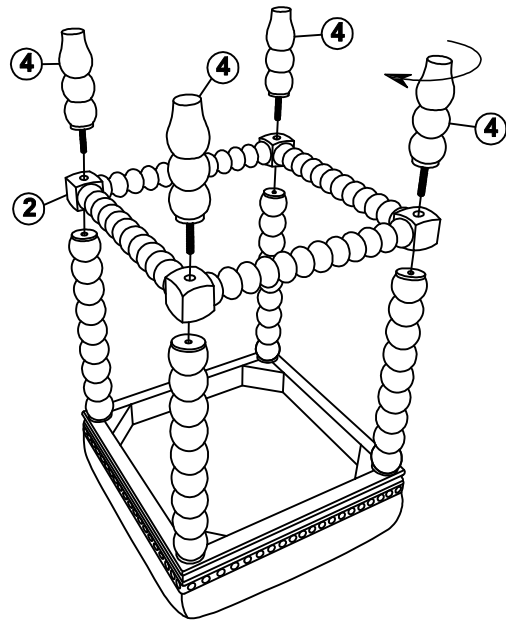
PARTS LIST

NO	PARTS NAME	DRAWING	Q'TY
1	SEAT CUSHION		1PC
2	STRETCHER		1PC
3	SUPPORTS		4PCS
4	LEG		4PCS

STEP 1



STEP 2



STEP 3

