



UTTERMOST

ASSEMBLY INSTRUCTION

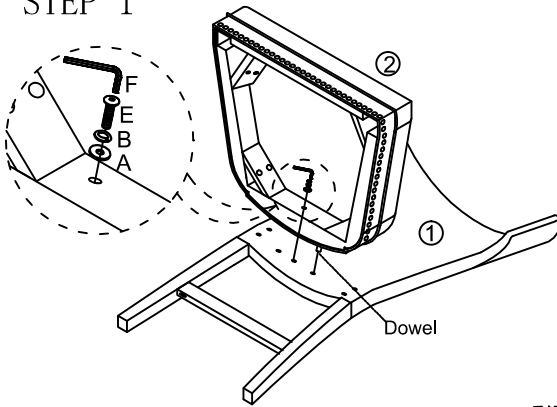
ITEM: 23433

PARTS LIST

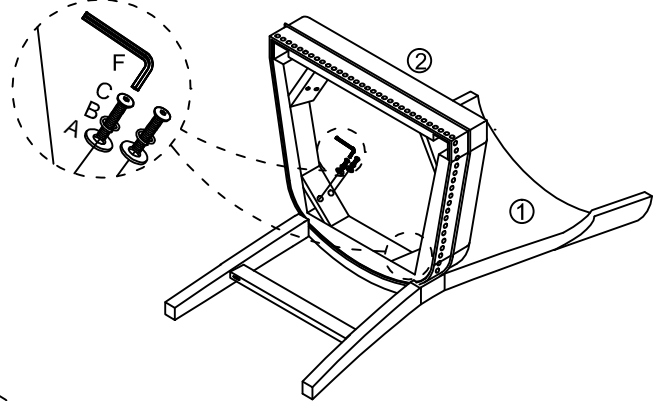
NO	DESCRIPTION	SKETCH	Q'TY	NO	DESCRIPTION	SKETCH	Q'TY
A	FLAT WASHER 5/16"X 3/4"		9PCS	1	COUNTER STOOL BACK		1PC
B	SPRING WASHER 5/16"		9PCS				
C	BOLTS DIA 5/16"x3"		4PCS	2	CUSHION		1PC
D	BOLTS DIA 5/16"x2"		4PCS	3	Left Stretcher		2PCS
E	BOLTS DIA 5/16"x1-3/4"		1PC	4	Right Stretcher		2PCS
F	ALLEN WRENCH 5/16"		1PC	5	Front Stretcher		1PC
G	SCREW #8*1-1/2"		6PCS	6	Front Legs		1PC

ASSEMBLY BOLTS MAY NEED TIGHTEND AFTER USE

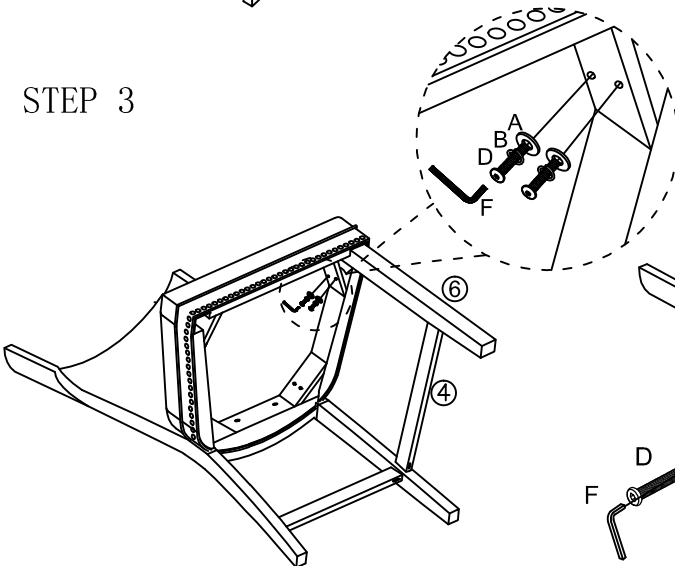
STEP 1



STEP 2



STEP 3



STEP 4

