



UTTERMOST

ASSEMBLY & INSTALLATION INSTRUCTIONS FOR #21529

Please read carefully and save these instructions, as you may need them at a later date.

CAUTION

Turn off the main power at the circuit breaker before installing the fixture, in order to prevent possible shock.

GENERAL

All electrical connections must be in accordance with local and National Electrical Code (N.E.C.) standards. If you are unfamiliar with proper electrical wiring connections obtain the services of a qualified electrician.

Remove the fixture and the mounting package from the box and make sure that no parts are missing by referencing the illustrations on the installation instructions.

ASSEMBLY AND INSTALLATION

Carefully unpack all lamp parts from the carton.

1. Take the parts out of the mounting package. Insert the OUTLET SCREW (3) into mounting bracket slots and screw to the OUTLET BOX (1). Pull the SUPPLY WIRES (6&8) and the SUPPLY GROUND WIRE (5) out from the OUTLET BOX (1) and attach the mounting bracket assembly to the OUTLET BOX (1). (See Fig.1).
2. Insert the FIXTURE SCREW and HEX NUT (12) into the slots of the MOUNTING BRACKET (2). Place the CANOPY (16) over the OUTLET BOX (1) and adjust until the canopy is aligned and centered.
3. Insert the hanging rods to the center fixture cage and tighten. Adjust the length of wire needed for your installation and remove excess. Determine number of HANGING RODS (14) to be assembled to the fixture body in relation to the hanging height. Pull supply wire with Ground wire through the selected rods. Joined together and tighten the RODS (14). Connect the top end of the ROD (15) to the center CANOPY (16). (See Fig.2).
4. Unravel the FIXTURE LEAD WIRES (7&9) and FIXTURE GROUND WIRE (4). Attach the power supply wires to the fixture lead wires by connecting the BLACK SUPPLY WIRE (8) to the SMOOTH FIXTURE LEAD WIRE (9). WHITE SUPPLY WIRE (6) to the RIBBED FIXTURE LEAD WIRE (7) and Loop the FIXTURE GROUND WIRE (4) around the GROUND SCREW (11) of the MOUNTING BRACKET (2). (Note: Be sure to provide extra 3" length of the FIXTURE GROUND WIRE (4). Connect the remaining FIXTURE GROUND WIRE (4) to the SUPPLY GROUND WIRE (5) using WIRE CONNECTOR (10). Place wires and connections in the OUTLET BOX (1). (See Fig.1).
5. Attach the FIXTURE BODY (13) through its canopy by locking the Fixture SCREW and HEX NUT (12) with two DECORATIVE NUTS (17). (See Fig.1).
6. Screw the light bulbs into the lamp sockets (18) and make sure they do not exceed the maximum wattage specified on the fixture' wattage rating capacity. **MAXIMUM 60W.**
7. INSTALLATION IS NOW COMPLETED.

FIG. 1

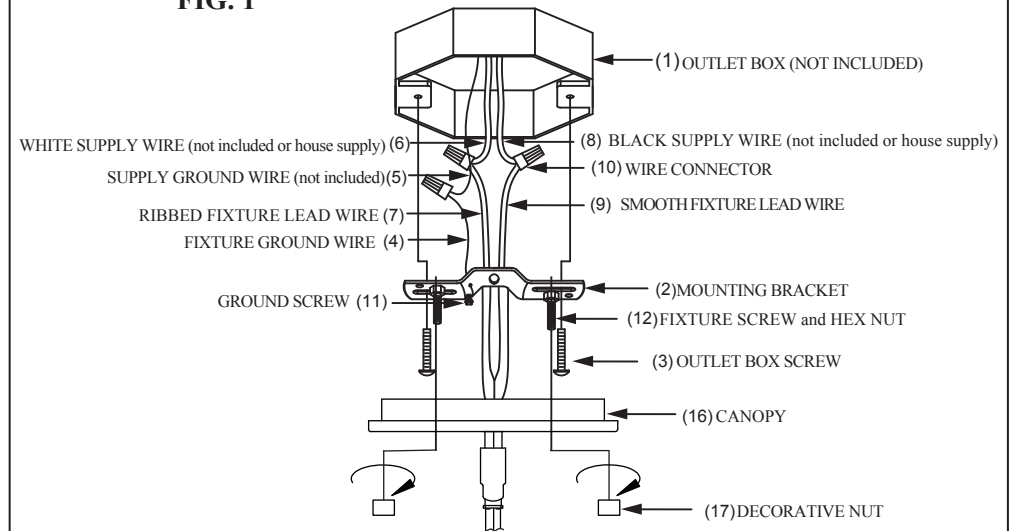


FIG. 2

