

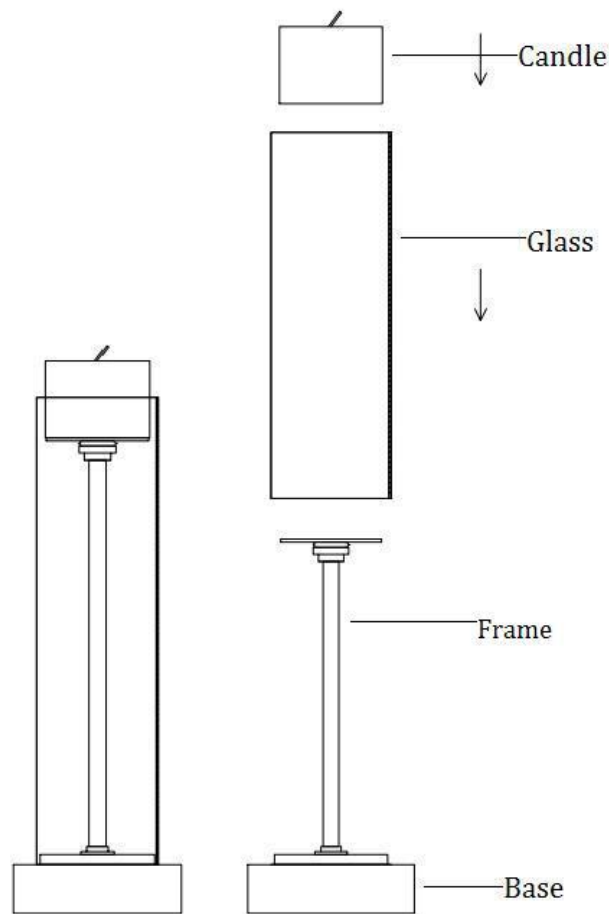


UTTERMOST

ASSEMBLY INSTRUCTIONS

STYLE# 17552**Carefully unpack all Assembly parts from the carton.**

1. Take all parts carefully out of the Carton, and place them on a flat surface.
2. Place the **Glass** into the **Base** carefully (the glass should correspond to the height of the candlestick.)
3. Position the **Glass Shade** (enclosed) on the top of **Frame**.



17552