

ASSEMBLY AND INSTALLATION INSTRUCTIONS FOR ITEM #834/#837

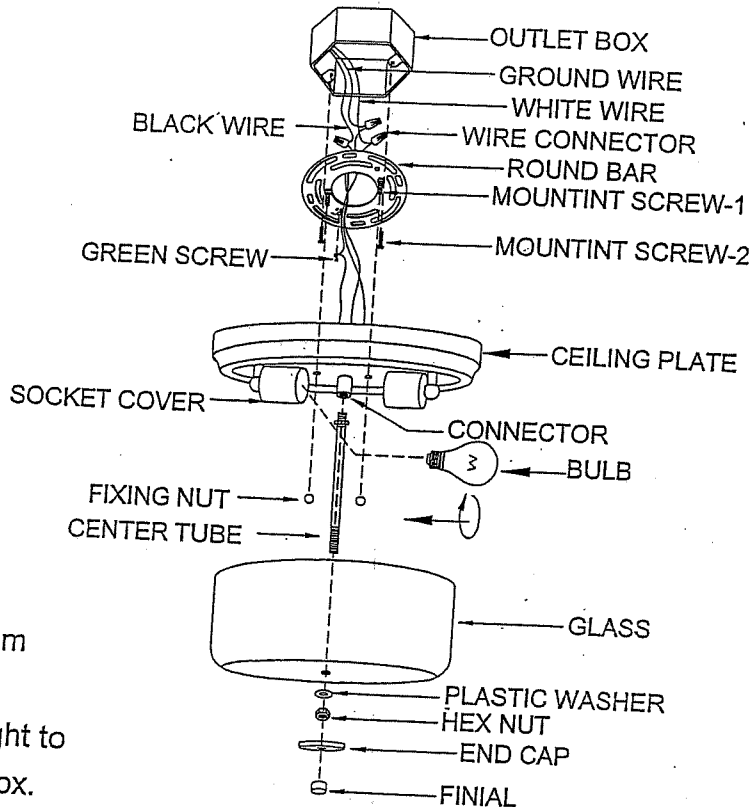
WARNING

TO AVOID RISK OF ELECTRICAL SHOCK, BE SURE TO SHUT OFF POWER WHILE INSTALLING OR SERVICING THIS FIXTURE.

NOTE: Should any difficulty be experienced, please consult a qualified electrician before installing.

Installation steps:

1. Turn off the electricity at the Fuse or Circuit Breaker before installation.
2. Attach the Round Bar to the Outlet Box by using 2PCS of Mounting Screw-2 upwards.
3. Make wire connections with Wire Connectors:
 - Connect the Black Wire from the light to the Black Wire from the Outlet Box.
 - Connect the White Wire from the light to the White Wire from the Outlet Box.
 - Attached the Ground-Wire and House Ground Wire to the Round Bar with a Green Screw.
4. Raise up the Ceiling Plate to the Round Bar and secure the Ceiling Plate in place by thread the Fixing Nuts to the Mounting Screws-1 from the Round Bar firmly.
5. Install Bulbs . (Bulbs are not included, please do not exceed the maximum capacity which is recommended on the Socket Cover.)
6. Screw and adjust Center Tube to Connector, then attached the Glass, Plastic Washer, Hex nut, End Cap to the Ceiling Plate in order and secure the glass by threading the Finial to the exposed Thread of the Center Tube, making sure there is enough Center Tube bottom thread exposure to fix the glass with Finial.
7. Turn on the power at Fuse or Circuit Box and enjoy your new fixture.



TOLTEC

-LIGHTING-