

**WALL SCNCE FIXTURE**  
**INSTALLATION INSTRUCTIONS**

Please read carefully and save these instructions, as you may need them a later date.

**CAUTION**

Turn off the main power at the circuit breaker before installing the fixture, in order to prevent possible shock.

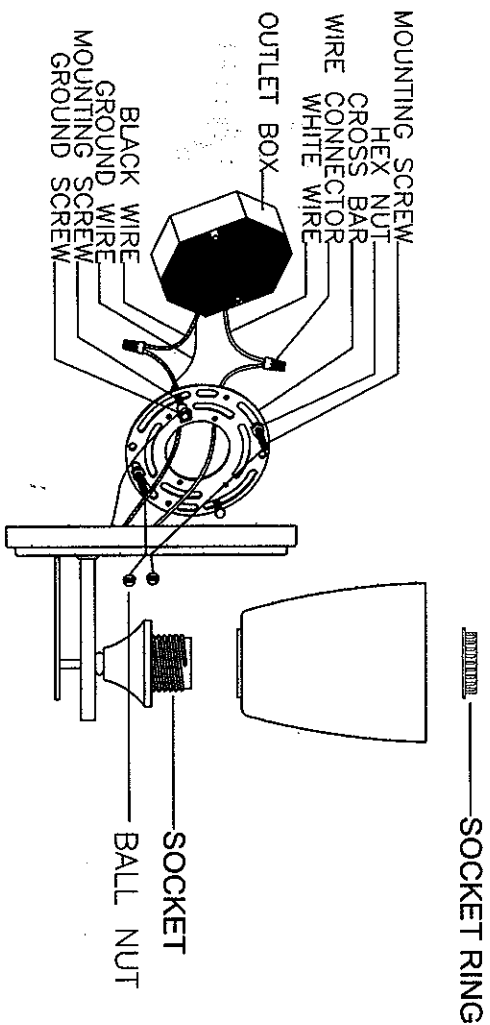
**GENERAL**

All electrical connections must be in accordance with local and National Electrical Code (N.E.C.) standards. If you are unfamiliar with proper electrical wiring connections obtain the services of a qualified electrician. Remove the fixture and the mounting package from the box and make sure that no parts are missing by referencing the illustrations on the installation instructions.

**ASSEMBLY AND INSTALLATION**

- 1, Thread the Screw-1 to the Cross bar, then screw the Hex nut on the Screw-1.
  - 2, Attach the Cross Bar to the Outlet Box by 2pcs Mounting Screws.
  - 3, Make wire connections:
    - Smooth wire (w/markings) from the light to black wire from power source.
    - Ribbed wire (w/o marking) from the light to white wire from power source
- Attach the ground wire to the cross bar with a green ground screw.  
Carefully tuck wire back into the **OUTLET BOX**
- 4, Place the Back plate against the Outlet box, secure with the Ball nut.
  - 5, Put the glass onto the socket, then use socket ring screw tightly.
  - 6, Install bulbs. (Please do not exceed the maximum capacity which is recommended on the sockets).

INSTALLATION IS NOW COMPLETED.



ITEM NO: 131-DG-460, 131-DG-461  
131-AS-461