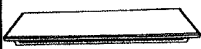
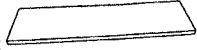




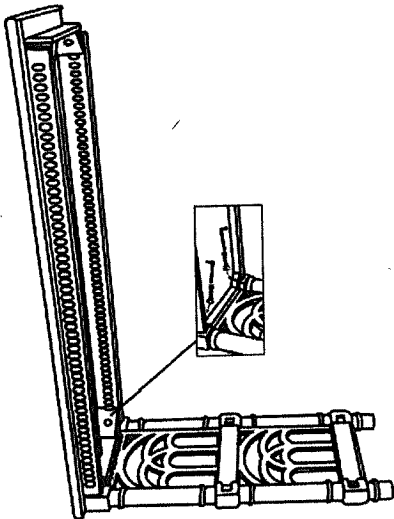
Assembly Instructions

ITEM: CONSOLE TABLE

Laying out all the parts and hardware and identifying each part as shown may help you as you assemble the table.

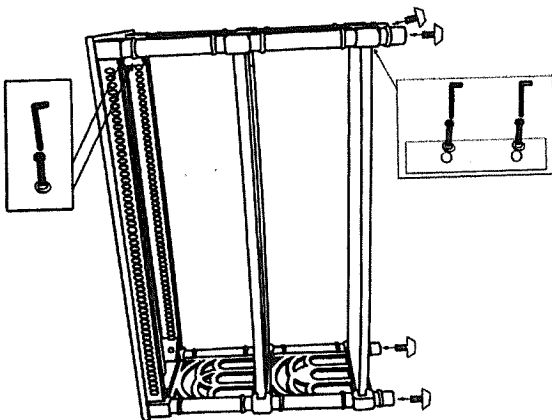
ITEM	PART	DESC.	QTY
A		Top panel	1
B		Shelves	2
C		Side panel	2
D		Longer Bolts	4

STEP ONE







Put one piece side panel on soft surface. Install table top by longer bolts (Item D) & flat washer as shown above. Please note that should not fully tighten bolts at this step.

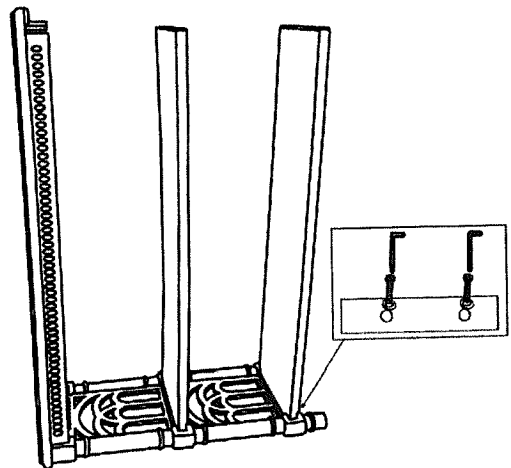
STEP THREE



Install another side panel as shown above. Install leg

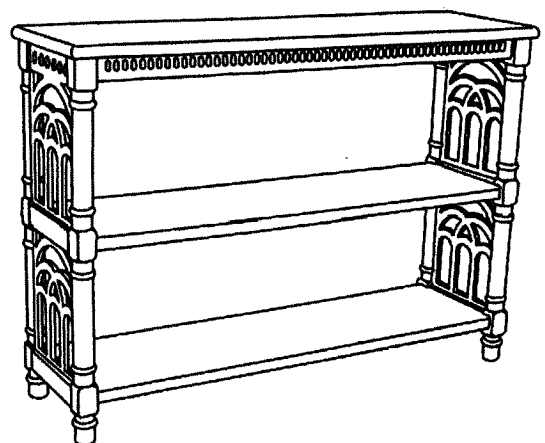
ITEM	PART	DESC.	QTY
E		Allen key	1
F		Shorter Bolts	8
G		Flat washer	12
H		leg levelers	4

STEP TWO



Install two shelves by shorter bolts (item F) and flat washers. Don't fully tighten bolts.

STEP FOUR



Finish product. If it isn't on same level, adjust leg levelers a