

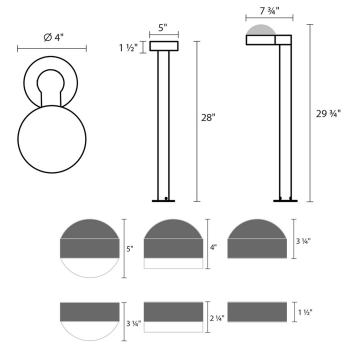
Project:

REALS LED Bollard Spec Sheet

SKU: 7305.PC.FW.74-WL Learn more at:
<https://sonnemanlight.com/real-led-bollard>

Description: Bring definition and architectural interest to outdoor sites and along paths or planted beds, with bollards of perfect solid geometry and LED lighting functionality. REALS Bollards offer a broad range of configurations, with many available options for lenses, caps, and heights for a variety of LED illuminating possibilities. Also available as a [Double Bollard](#), [Downlight Scence](#), [Up/Down Scence](#), and [Surface Mount](#).

Type #:



Dimensions

| | |
|-------------------------------|-------|
| Height: | 28" |
| Width: | 5" |
| Length: | 7.75" |
| Canopy/Backplate/Base: | 4" |
| Size: | 28" |
| Canopy/Backplate/Base Height: | 0.25 |

Electrical Specs

| | |
|------------------------|--------------------------|
| Bulb(s) Included?: | Yes |
| Bulb 1 Type: | Integral LED |
| Bulb Quantity: | 1 |
| Input Voltage: | 12VAC |
| Wattage: | 10 |
| Initial Lumens: | 1040 |
| Color Temperature: | 3000K |
| CRI: | 90 |
| Power Supply Type: | Transformer |
| Power Supply Location: | Remote (Sold Separately) |
| Dimming Type: | Non-dimmable |
| Bulb Max Wattage: | 10 |

Installation

| | |
|---------------|-------------------------------|
| Installation: | Licensed electrician required |
|---------------|-------------------------------|

Shipping

| | |
|------------------------|----------------|
| Carton 1 L x W x H: | 35" X 12" X 9" |
| Carton 1 Gross Weight: | 9 LBS |
| Fixture Weight: | 6 |

Shade

| | |
|-------------------|-----------------------------------|
| Lens Type: | Plate Cap and White Cylinder Lens |
| Shade 1 Material: | Frosted White Polycarbonate |

Available Finishes

Available Finishes: Textured Bronze (.72), Textured Gray (.74)

General Listings

| | |
|--------------------|---------------------|
| Features: | Wet Rated |
| Certification: | C-ETL-US |
| Color/Finish: | Textured Gray (.74) |
| Dark Sky Friendly: | N |