

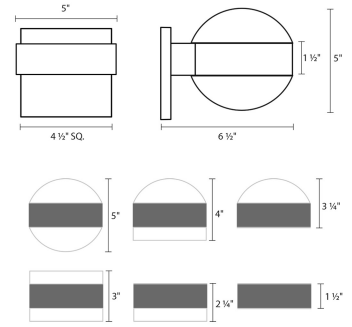
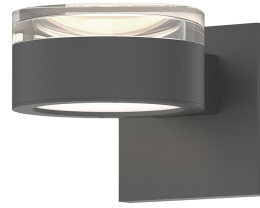
Project:

# REALS Up/Down LED Sconce Spec Sheet

SKU: 7302.FH.PL.74-WL    Learn more at:  
<https://sonnemanlight.com/real-up-2fdown-led-sconce>

Description: Consider the possibilities of the nearly unlimited opportunities to configure REALS sconces, with lenses and caps, for a variety of LED illuminating possibilities. Also available as a [Downlight Sconce](#), [Surface Mount](#), [Bollard](#), and [Double Bollard](#).

Type #:



## Dimensions

Height:	2.5"
Width:	5"
Extends:	6.5"
Minimum Extension:	6.5"
Maximum Extension:	6.5"
Canopy/Backplate/Base Width:	4.5
Canopy/Backplate/Base Depth:	0.5
Canopy/Backplate/Base Height:	4.5

## Electrical Specs

Bulb(s) Included?:	Yes
Bulb 1 Type:	Integral LED
Bulb Quantity:	2
Input Voltage:	120VAC
Wattage:	20
Initial Lumens:	2080
Color Temperature:	3000K
CRI:	90
Power Supply Type:	Driver
Power Supply Quantity:	1
Power Supply Location:	Outlet Box
Dimming Type:	TRIAC/ELV
Bulb Max Wattage:	20

## Installation

Installation:	Licensed electrician required
Installation Orientation:	Vertical

## Shipping

Carton 1 L x W x H:	9" X 10" X 9"
Carton 1 Gross Weight:	4 LBS
Fixture Weight:	3

## Shade

Lens Type:	Clear Cylinder Lens and Plate Lens
Shade 1 Material:	Aluminum w/White Polycarbonate
Shade 2 Material:	Frosted White Polycarbonate

## Available Finishes

Available Finishes: Textured Bronze (.72),  
Textured Gray (.74), Textured White (.98)

## General Listings

Features:	Wet Rated
Certification:	C-ETL-US
Color/Finish:	Textured Gray (.74)
Dark Sky Friendly:	Y