

LED Product Information and Warnings

Important

- **Always disconnect the power before installing or replacing bulbs and before cleaning or other maintenance.**
- **Consult a qualified, licensed electrician to ensure correct branch circuit conductor.**

- Please read all included assembly instructions and warnings carefully before installation. Contact Customer Service if you have any questions or concerns. Before installation, please confirm that the fixture is compatible with your supply voltage and dimming system, if present.
- LEDs are highly sensitive electronic devices, and must be treated with care. Do not open any factory sealed compartments, and avoid touching the LEDs with your hands or any object.
- Although all our fixtures are equipped with protective devices, LED fixtures are vulnerable to power surges and supply variations. Do not install LED fixtures on the same circuit as any motors, appliances, or HVAC systems.
- Do not remove or bypass any LED Driver or Transformer that is provided with the fixture, and do not replace or substitute with another power supply.
- Remote LED Driver or Transformer installation must be done by a licensed electrician and in accordance with local codes. Remote installations should be in an accessible location, as close to the fixture as possible.
- Fixtures must be wired in parallel on independent leads; do not "daisy chain" multiple fixtures together or wire them in series.
- All factory-made splices and connections must remain intact. LED circuits are carefully designed and built, and improper connections may damage the fixture.
- The ends of coaxial pendant cords have been precisely stripped and split at the factory and must not be field cut. Excess cord or cable should be neatly coiled and reserved in the fixture canopy.
- Any mounting hardware is provided for your convenience and should be used with discretion. Always use the appropriate hardware for the mounting surface.

Assembly Instructions

INSTRUCTIONS D'INSTALLATION

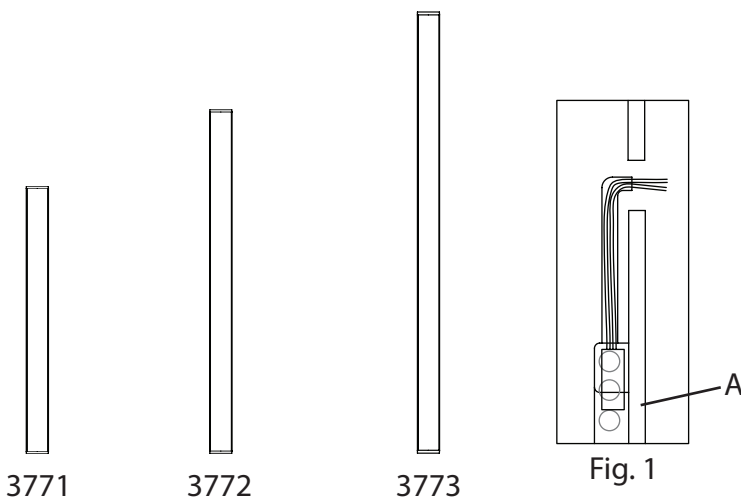
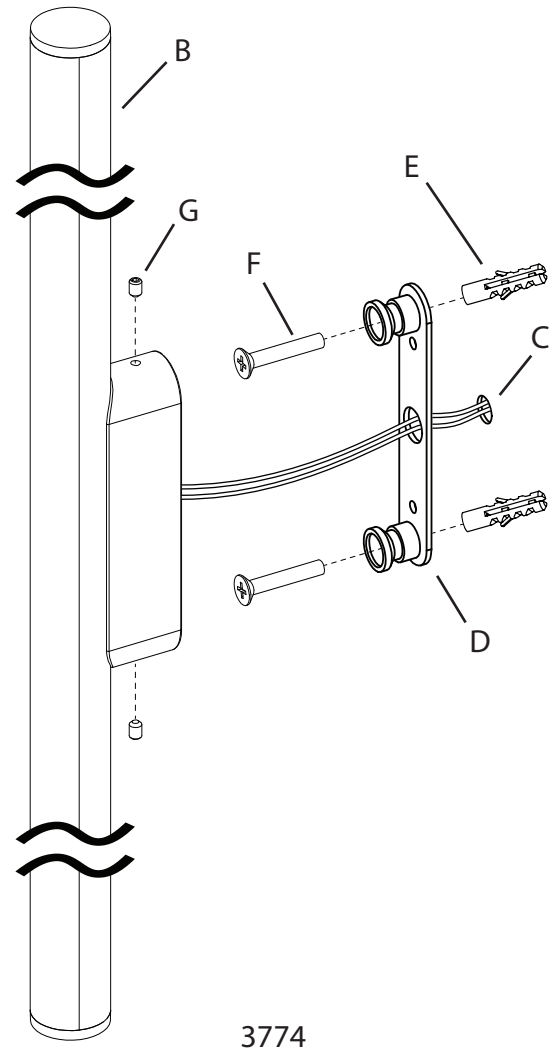
Fino Bath Series- 18", 24", 32", 40" Bath Bar

3771, 3772, 3773, 3774

Important

- Always disconnect the power before installing or replacing bulbs and before cleaning or other maintenance.
- Consult a qualified, licensed electrician to ensure correct branch circuit conductor.
Consulter un électricien qualifié pour vous assurer que les conducteurs de la dérivation sont adéquats.

1. Shut off power to the outlet box.
2. The LED driver (A) must be installed in a remote and accessible location near the fixture in accordance with local electrical code.
 - a. Connect the LED driver's live wire (black) to the live supply wire.
 - b. Connect the LED driver's neutral wire (white) to the neutral supply wire.
 - c. Connect the LED driver's positive (+) output wire (red) to the necessary length of red wire (not included) to reach the fixture (B) location.
 - d. Connect the LED driver's negative (-) output wire (black) to the necessary length of black wire (not included) to reach the fixture location.
 - e. Drill a small 9/16" hole (C) in the wall behind the fixture (B) and pull the low voltage wires through the wall
3. Screw the Wall Plate (D) into the wall using mounting screws (F) and Anchors (E).
4. Connect fixture red conductor to the LED driver positive (+) output wire and connect the fixture black conductor to the driver negative (-) output wire. Push connections back through the hole in the wall.
5. Place fixture over the Wall Plate (D) and secure into place using Set Screws (G).
6. Restore power to the fixture.



Note

- The outlet box must be at least 4" DIA and 1.5" deep to fit the LED driver.
- This fixture is dimmable with Electronic Low Voltage (Trailing-Edge) type and Incandescent (Leading-Edge) type dimmers. For best performance, we recommend using an Electronic Low Voltage dimmer.

Care Instructions

- **Dusting:** Use a clean, dry cloth.
- **Cleaning:** To protect the finish, avoid any harsh abrasives or chemicals.