

Pi

3744 & 3745

24" & 30"

LED Pendants

Product Information and Warnings

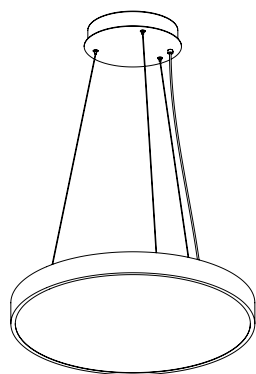
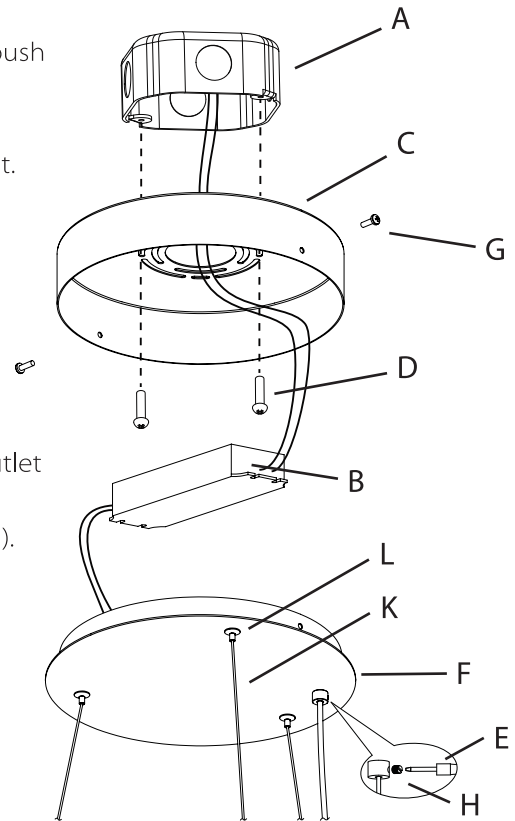
IMPORTANT

- **Always disconnect the power before installing or replacing Luminaires and before cleaning or other maintenance.**
 - **Consult a qualified, licensed electrician to ensure correct branch circuit conductor.**
 - ***Consulter un électricien qualifié pour vous assurer que les conducteurs de la dérivation sont adéquats.***
-
- Please read all included assembly instructions and warnings carefully before installation. Contact Customer Service if you have any questions or concerns. Before installation, please confirm that the fixture is compatible with your supply voltage and dimming system, if present.
 - LEDs are highly sensitive electronic device do not open any factory sealed compartments, and avoid touching the LEDs with your hands or any object.
 - Although all our fixtures are equipped with protective devices, LED electronic systems are vulnerable to power surges and supply variations. Do not install LED fixtures on the same circuit as any motors, appliances, or HVAC systems.
 - Do not remove or bypass any LED Driver or Transformer that is provided with the fixture, and do not replace or substitute with another power supply.
 - Fixtures must be wired in parallel on independent leads; do not "daisy chain" multiple fixtures together or wire them in series.
 - All factory-made splices and connections must remain intact. LED circuits are carefully designed and built, and improper connections may damage the fixture.
 - The ends of coaxial pendant cords have been precisely stripped and split at the factory and must not be field cut. Excess cord or cable should be neatly coiled and reserved in the fixture canopy.
 - Any mounting hardware is provided for your convenience and should be used with discretion. Always use the appropriate hardware for the mounting surface.

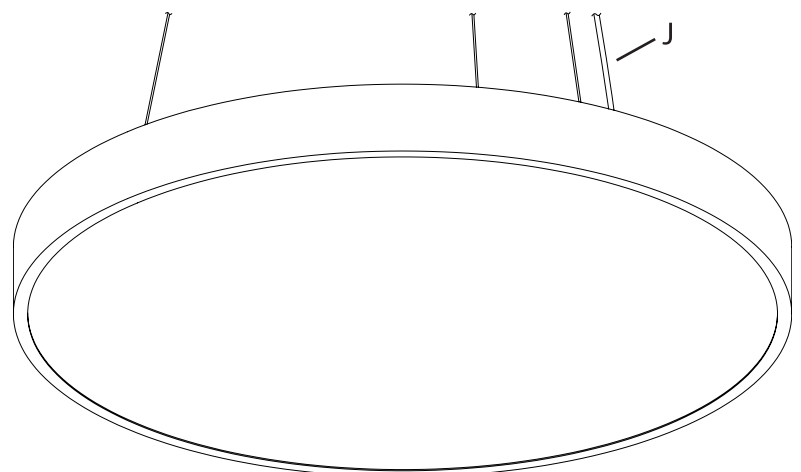
Assembly Instructions

Instructions D'Installation

1. Shut off power to the outlet box. (A)
2. Attach the mounting plate (C) to the outlet box (A), secure with outlet box screws (D).
3. Determine the height at which the fixture is to be hung. Use the slotted screw driver (E) to loosen the set screw (H). Adjust the power cord (J) to the desired length. Tighten the set screw to set.
4. Adjust the steel cables (K) to the desired length. To shorten the cable, push the cable up and it will be locked automatically. To lengthen the cable, lift up on the cable and push up on the lock (L). While keeping the lock depressed, lower the cable to the desired length. Release the lock to set.
5. Reserve extra power cord (J) and steel cables (K) in the canopy (F).
6. Make appropriate electrical connections using wire nuts:
 - a. Connect the LED driver's (B) live wire to the live outlet box wire.
 - b. Connect the LED driver's neutral wire to the neutral outlet box wire.
 - c. Connect fixture's ground wire (green or uncoated) to the ground outlet box wire. If no ground is present in outlet box, connect fixture's ground wire to the mounting plate using the green screw (included).
 - d. If not using the 0-10V dimming function, cap off the purple and grey dimming wires.
 - e. Carefully place connections and LED driver (B) in canopy (F).
7. Install the canopy (F) to the mounting plate (C) by inserting the canopy (F) into the mounting plate, then secure with canopy screws (G).
8. Restore power to the fixture.



3745
(30")



3744
(24")

Note:

- Fixtures are dimmable with ELV (Trailing-Edge), Incandescent (Leading-Edge), and 0-10V type dimmers.

Care Instructions:

Use a clean, dry cloth when dusting. To protect the finish, avoid any harsh abrasives or chemicals.