

V-Panels

3090

Pendant

Product Information and Warnings

IMPORTANT

- **Always disconnect the power before installing or replacing Luminaires and before cleaning or other maintenance.**
- **Consult a qualified, licensed electrician to ensure correct branch circuit conductor.**
- ***Consulter un électricien qualifié pour vous assurer que les conducteurs de la dérivation sont adéquats.***
- Please read all included assembly instructions and warnings carefully before installation. Contact Customer Service if you have any questions or concerns. Before installation, please confirm that the fixture is compatible with your supply voltage and dimming system, if present.
- LEDs are highly sensitive electronic devices, and must be treated with care. Do not open any factory sealed compartments, and avoid touching the LEDs with your hands or any object.
- Although all our fixtures are equipped with protective devices, LED electronic systems are vulnerable to power surges and supply variations. Do not install LED fixtures on the same circuit as any motors, appliances, or HVAC systems.
- Do not remove or bypass any LED Driver or Transformer that is provided with the fixture, and do not replace or substitute with another power supply.
- Fixtures must be wired in parallel on independent leads; do not "daisy chain" multiple fixtures together or wire them in series.
- All factory-made splices and connections must remain intact. LED circuits are carefully designed and built, and improper connections may damage the fixture.
- The ends of coaxial pendant cords have been precisely stripped and split at the factory and must not be field cut. Excess cord or cable should be neatly coiled and reserved in the fixture canopy.
- Any mounting hardware is provided for your convenience and should be used with discretion. Always use the appropriate hardware for the mounting surface.

Assembly Instructions

Instructions D'Installation

SONNEMAN®
A WAY OF LIGHT

1. Shut off power to the branch bircuit/outlet box (A).
2. Determine height at which the fixture is to be hung. Adjust the cords (B) to the desired height and tighten bushing set screw (C) to lock in place.

3. Outlet Box:

- a. Make appropriate electrical connections using wire nuts:
- b. Connect the Power Supply's (D) live wire to the live supply wire.
- c. Connect the Power Supply's (D) neutral wire to the neutral supply wire.
- d. Connect the ground supply wire to fixture ground wire (green or uncoated).
- e. Feed Power Supply (D) output wires and ground supply wire through hole in goof plate and attach the goof plate (E) to the ceiling using wood screws (F) while covering the outlet box. Secure the mounting plate (G) to the goof plate using finials (H).
- f. Connect the Power Supply's (D) positive (+) output wire to fixture positive (+) wire (marked with flag).
- g. Connect the Power Supply's (D) negative (-) output wire to fixture negative (-) wire (marked with flag).
- h. Connect the fixture's ground wire (green or uncoated) to the ground supply wire.

Remote:

- a. The Power Supply (D) must be installed in a remote and accessible location near the fixture in accordance with local electrical code. (Fig 1)
- b. Connect the Power Supply's (D) live wire to the live supply wire.
- c. Connect the Power Supply's (D) neutral wire to the neutral supply wire.
- d. Connect the Power Supply's (D) positive (+) output wire to the necessary length of red wire (not included) to reach the fixture (J) location.
- e. Connect the Power Supply's (D) negative (-) output wire to the necessary length of black wire (not included) to reach the fixture location.
- f. Drill a small hole in the ceiling behind the fixture (J) and pull the low voltage wires through the hole
- g. Feed red length (+) and black length (-) of wire through hole in mounting plate (G). Secure mounting plate to ceiling using wood screws (F)

Note: If using the goof plate(E), feed red length (+) and black length(-) of wires through hole in goof plate attach the goof plate (B) to the ceiling using wood screws (F). Secure the mounting plate (G) to the goof plate using finials (H).

- h. Connect the red length of wire to fixture positive (+) wire (marked with flag).
- i. Connect the black length of wire to fixture negative (-) wire (marked with flag).
- j. Connect the fixture's ground wire (green or uncoated) to the ground supply wire.

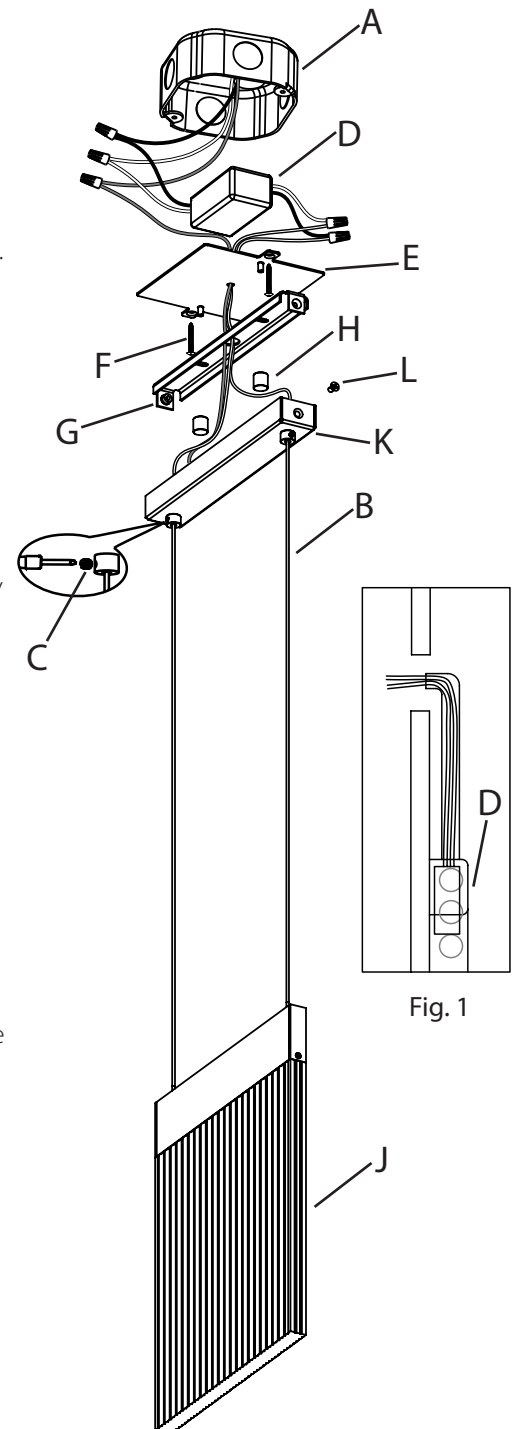
4. Secure canopy (K) to mounting plate using countersunk screws (L).
5. Make final height adjustments. **Note: Cordset may need to be straightened out. Use cylindrical object to massage any bends out of cord**
6. Restore power to the fixture.

Note:

This fixture is dimmable with ELVoltage (Trailing-Edge), Incandescent (Leading-Edge), and 0-10V type dimmers only.

Care Instructions:

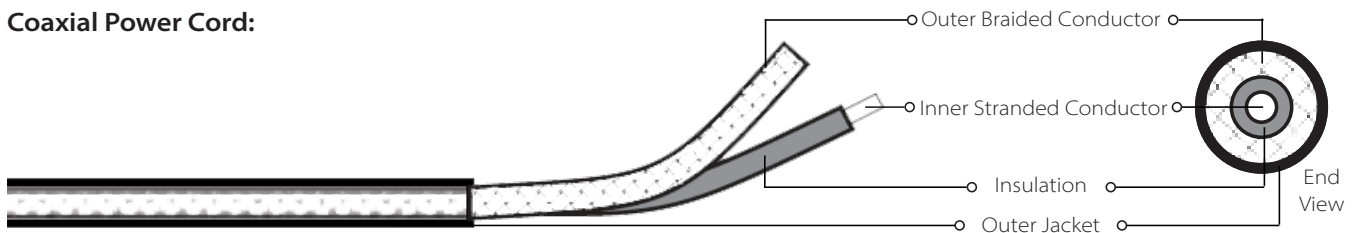
Use a clean, dry cloth when dusting. To protect the finish, avoid any harsh abrasives or chemicals.



Coax Splicing

FAILURE TO FOLLOW THESE INSTRUCTIONS WILL VOID THE WARRANTY

Coaxial Power Cord:



If field-cutting is required, please follow these instructions:

1. Make a 1" slice along the length of the cord's outer jacket (Fig. 1).
CAUTION: Do not cut through the outer braided conductor.
2. Carefully strip the outer jacket of the cord and keep the outer braided conductors intact (Fig. 1).
3. Slide the outer braided conductor back to create a bulge and reveal the inner stranded conductor (Fig. 2).
4. Bend the cord to create an opening through the bunched-up portion of outer braided conductor, then pull out the inner stranded conductor (Fig. 3)
5. Twist together the outer braided conductor to form the negative wire of the fixture, then strip 5/8" off the end of the inner stranded conductor to form the positive wire of the fixture (Fig. 4).
6. Re-splice all power cords.

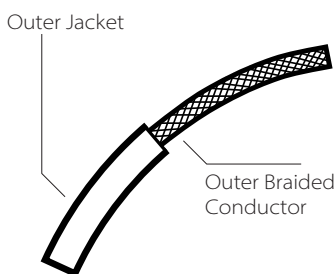


Fig. 1

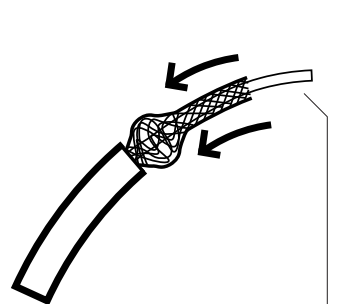


Fig. 2

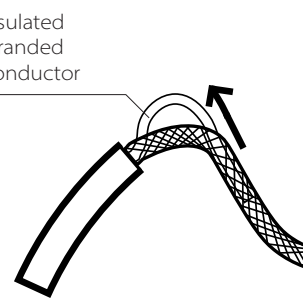


Fig. 3

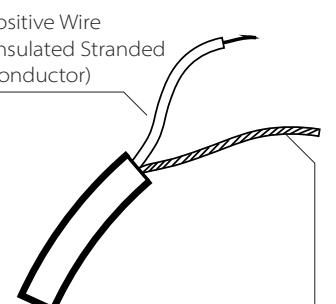


Fig. 4