

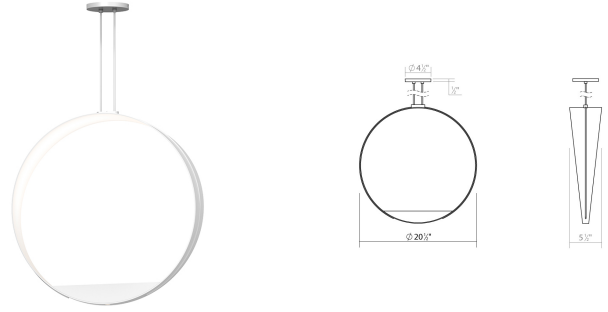
Project:

Aureola LED Pendant Spec Sheet

SKU: 1780.03 Learn more at:
<https://sonnemanlight.com/aureola-led-pendant>

Description: A controlled spread of light is reflected from the interior of this dramatically scaled tapered ring. In addition, a micro lens below directs powerful illumination downward.

Type #:



Dimensions

Height:	20.25"
Width:	20.25"
Length:	5.5"
Canopy/Backplate/Base:	4.5"
Hanging Details:	6' Adjustable Cord
Canopy/Backplate/Base Height:	0.5

Electrical Specs

Bulb(s) Included?:	Yes
Bulb 1 Type:	Integral LED
Bulb Quantity:	2
Input Voltage:	120VAC
Wattage:	21
Initial Lumens:	1700
Delivered Lumens2:	1050
Color Temperature:	3000K
CRI:	90
Power Supply Type:	Driver
Power Supply Quantity:	1
Power Supply Location:	Outlet Box
Dimming Type:	TRIAC/ELV
Bulb Max Wattage:	21

Installation

Installation:	Licensed electrician required
Sloped Ceiling Compatible?:	Compatible
Minimum Hanging Height:	22"
Maximum Hanging Height:	94"

Shipping

Carton 1 L x W x H:	25" X 25" X 10"
Carton 1 Gross Weight:	14 LBS

Shade

Shade 1 Material:	Metal
-------------------	-------

Available Finishes

Available Finishes: Satin Black (.25), Satin White (.03)

General Listings

Features:	Damp Rated
Certification:	cETL
Color/Finish:	Satin White (.03)
Dark Sky Friendly:	N