

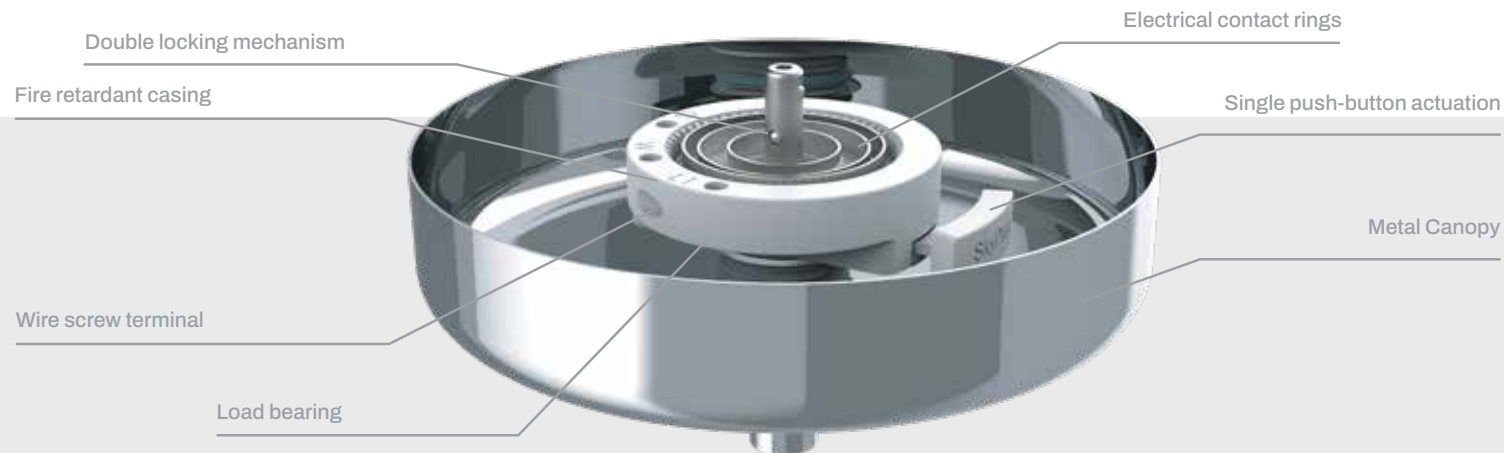
SkyPlug

Plug & Play Kit For Light Fixtures

Specs:

SkyPlug - Weight Supporting Attachment Fitting (WSAF) - designed to mate with corresponding SkyOutlet - Weight Supporting Ceiling Receptacle (WSCR) to provide electrical power and secure mounting for luminaires and electrical devices. SkyPlug devices are factory assembled into electrical equipment for simple and safe ceiling or wall plug-in installations.

Permitted by **NEC**
ANSI/NEMA WD 6-2021
UL498 UL1598



Commercial Applications

Residential Home Builder
Property Development / Multi-tenant
Hospitality
Retail

Code

NEC 2017, Article 314.27, recognizes new technology designed to power and support luminaires from a receptacle and mounting means located in or mounted directly to the box



Light Fixture
With SkyPlug



Finials And Adaptors

Features & Benefits:

Stainless steel 303 single push-pin actuation for quick release of luminaires.

Inner teeth allow for 360 degree alignment and locking position on SkyOutlet.

Screw-Based wire termination for maximum conductivity and wire retention.

1/2-20 threaded rod for securing luminaires.

Slotted/phillips combo screws for flexibility in field.

SkyPlug UL File #E306210.

Listed Luminaire Fitting E239007.

Brass electrical contact rings with Nickel plating to provide corrosion resistance protection.

Side-wire termination, accepts No.18 & No.20 AWG stranded wire.

Suitable for Luminaire support Max. 50 lbs.

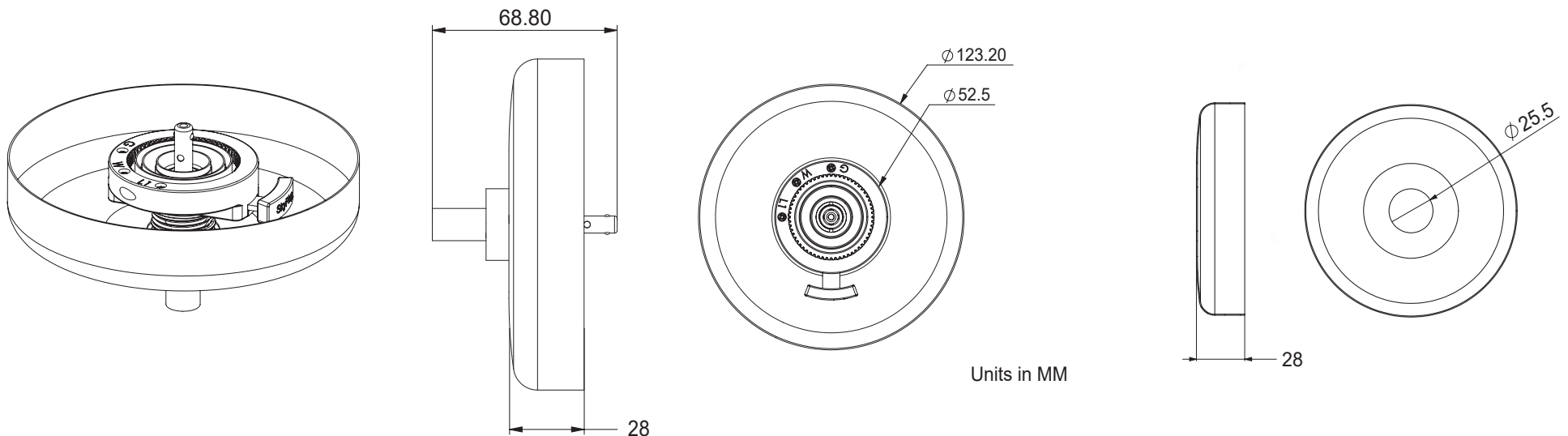
Double locking mechanism.

Tested to 200 lbs static load.

Universal application for assembly to wall or ceiling mounted luminaires.

CE Certified.

15 Year Warranty.



“Mating System”- Must use in combination with compatible SkyOutlet mounting support

“Standard Canopy” - Center hole diameter minimum 13mm and height minimum 20mm

Model	Description	Electrical Ratings	# Rings	Mating SkyOutlet
SPU-3L	Luminaire Plug	120V, 10A, 1200 Watts	L1 Live, Neutral, Ground	SR-3L, SR-4L, SR-4F