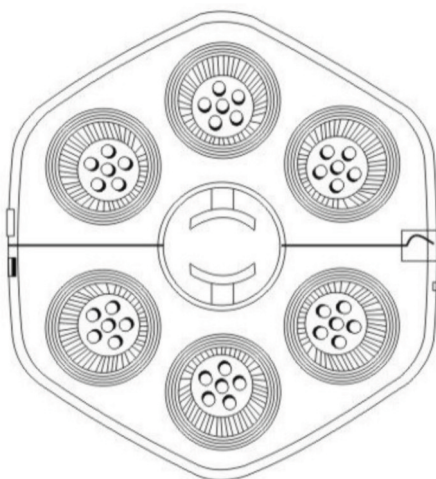


SimplyShade™

Selene *Umbrella Light*

SS-SUN14



Instruction Manual

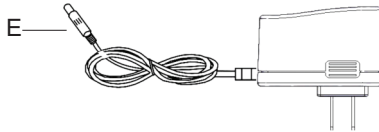
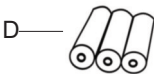
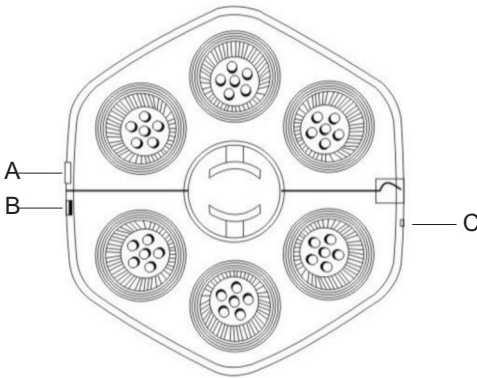
Thank you for your purchase of SimplyShade's Selene Umbrella Light.

Please remove all contents from the package, inspect and review checklist.

CAUTION: To reduce personal injury and damage to your umbrella light, read and follow this assembly and operation guide.

CHECKLIST

- A - On/Off Button
- B - Clamp Release Button
- C - Battery Input
- D - 3 Rechargeable AA Batteries
- E - Battery Charger (for indoor use only)



Size: 8.54"

Lights: 36 LED lights

AC Charger: 110V

AC Adapter Charge time: 4.5 Hrs.

(Lights up to 3.5-4 hrs. with a fully charged battery.)

STEP 1 Assembly

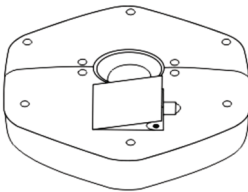
No assembly is required for the umbrella light however, you must fully charge batteries prior to first use.

To CHARGE/RECHARGE the Umbrella Light:

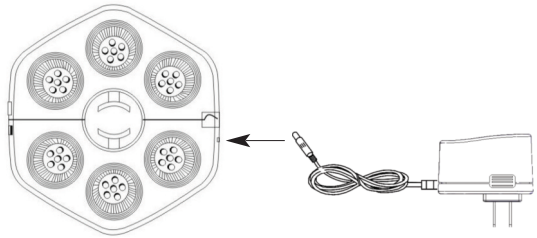
Turn umbrella light upside down, remove the battery compartment cover and insert the (3) supplied AA batteries. Recover batteries with battery compartment cover (Fig. 1). Plug the charger into the battery input (Fig. 2), then plug charger into 110V electrical outlet for 4.5 hours to fully charge. **NOTE:** Only use the supplied battery charger, charging the light with a substitute charger may damage the battery pack or cause overheating, which could result in personal injury and/or other damages.

To TURN ON and TURN OFF the Umbrella Light:

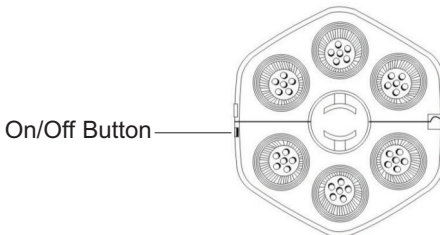
Depress the On/Off button to turn on and turn off LED lights (Fig. 3).



(Fig. 1)



(Fig. 2)

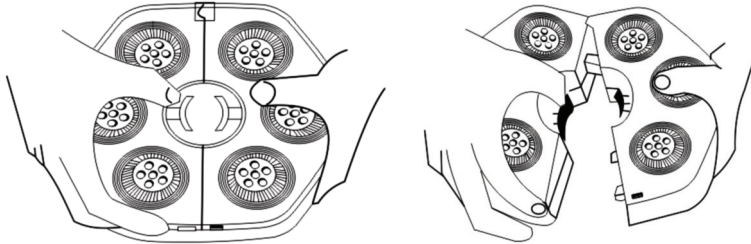


(Fig. 3)

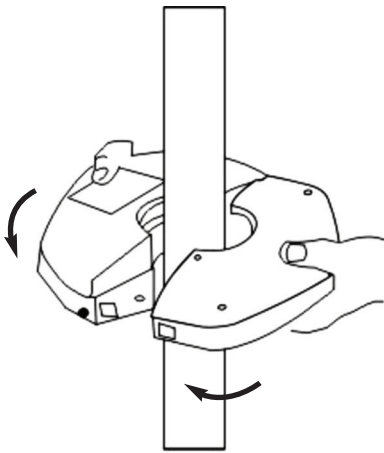
STEP 2 Operation

To OPEN and ATTACH the Umbrella Light to Market Umbrella:

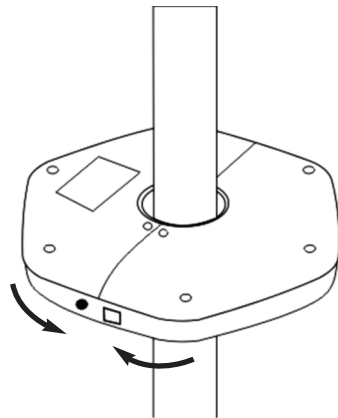
Open the umbrella light by holding the light firmly with one hand and then depress the clamp release button with the other hand to release the clamp lock (Fig. 4). Open up the umbrella light and clasp around the mid pole (Fig. 5). Snap to close (Fig. 6).



(Fig. 4)



(Fig. 5)



(Fig. 6)

TWO LIGHT DISPLAY OPTIONS:

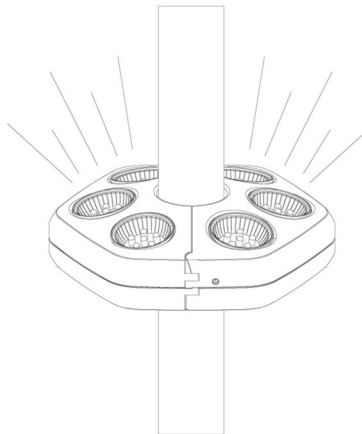
DOWNLIGHT Position:

Place the umbrella light with LED lights facing down for dining, games and casual reading.




UPLIGHT Position:

Place the umbrella light with LED lights facing up for indirect lighting and mood setting.




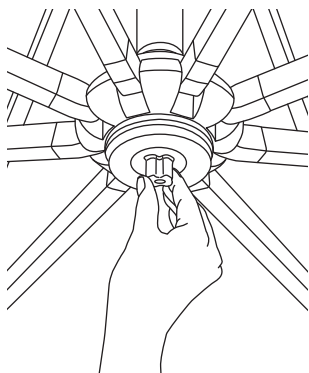
Additional Features

To ATTACH Umbrella Light to Cantilever Umbrella:

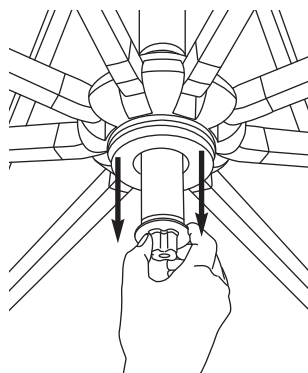
Loosen the light adapter built into the umbrella runner by turning counter-clockwise  (Fig. 7). After loosening, pull down light adapter post (Fig. 8) to attach the umbrella light (sold separately).

To REMOVE Umbrella Light and CLOSE adapter:

Hold the umbrella light, depress the clamp release button to release the clamp lock. Remove umbrella light, and gently push up the light adapter post back into umbrella runner and tighten turning clockwise (Fig. 7). 



(Fig. 7)



(Fig. 8)

WARRANTY:

The manufacturer warrants that this umbrella, when subject to normal and proper use, will be free from manufacturing defects for a period of one year from the original date of purchase. Should any defect occur during the specified time period, the manufacturer will repair, replace, or provide replacement parts, at its own option. Limited warranty against fabric fading, based on fabric grade. Warranty is not transferable.

We will not warrant any claim coverage unless both the original sales receipt and request form are sent to us. Any items that are returned for warranty or non warranty purposes must be issued a Return Authorization Number. Only

upon issuance of an RA # and inspection by our QC department will credit or replacement of umbrella be issued. It is the customer's responsibility to pay the freight on return products or replacement parts. **ALL RETURNED ITEMS MUST INCLUDE THE RA# CLEARLY WRITTEN ON THE RETURN PACKAGE** or package will be refused by our warehouse personnel.

NOTE: Damages and failure caused by improper use due to neglect of reasonable and necessary care are not covered by this warranty.

Additionally, acts of nature (including but not limited to wind, hurricanes, tornadoes, and storms) are not covered by this warranty.

S A F E T Y P R E C A U T I O N S :

- If unit is exposed to light moisture, light to medium rain; allow unit to air dry for 24 hours before reuse.

WARNING: *The umbrella light is not waterproof.* If the light is immersed in a pool or spa or exposed to heavy rain the unit will be damaged and negate the warranty.

SimplyShade

www.simplyshade.com

©2015 SimplyShade - All Rights Reserved.

7/15