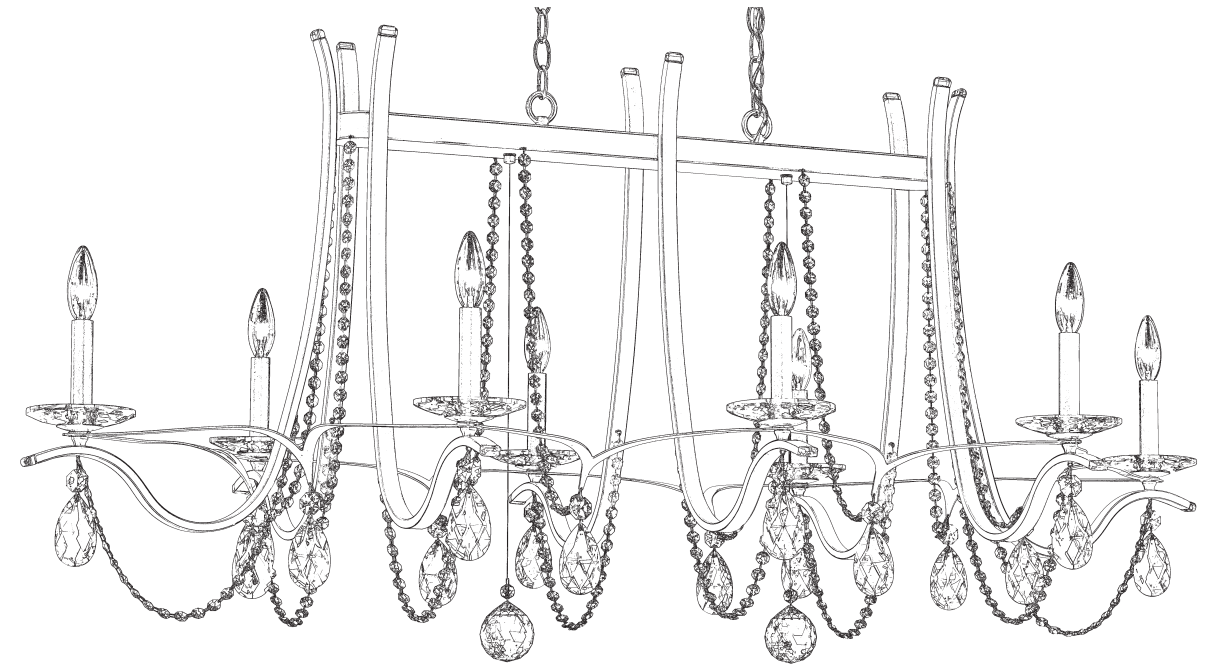


 **SCHONBEK** | 1870











VESCA
VA8436N- __ __ H

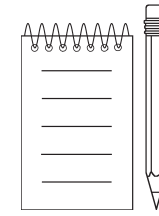
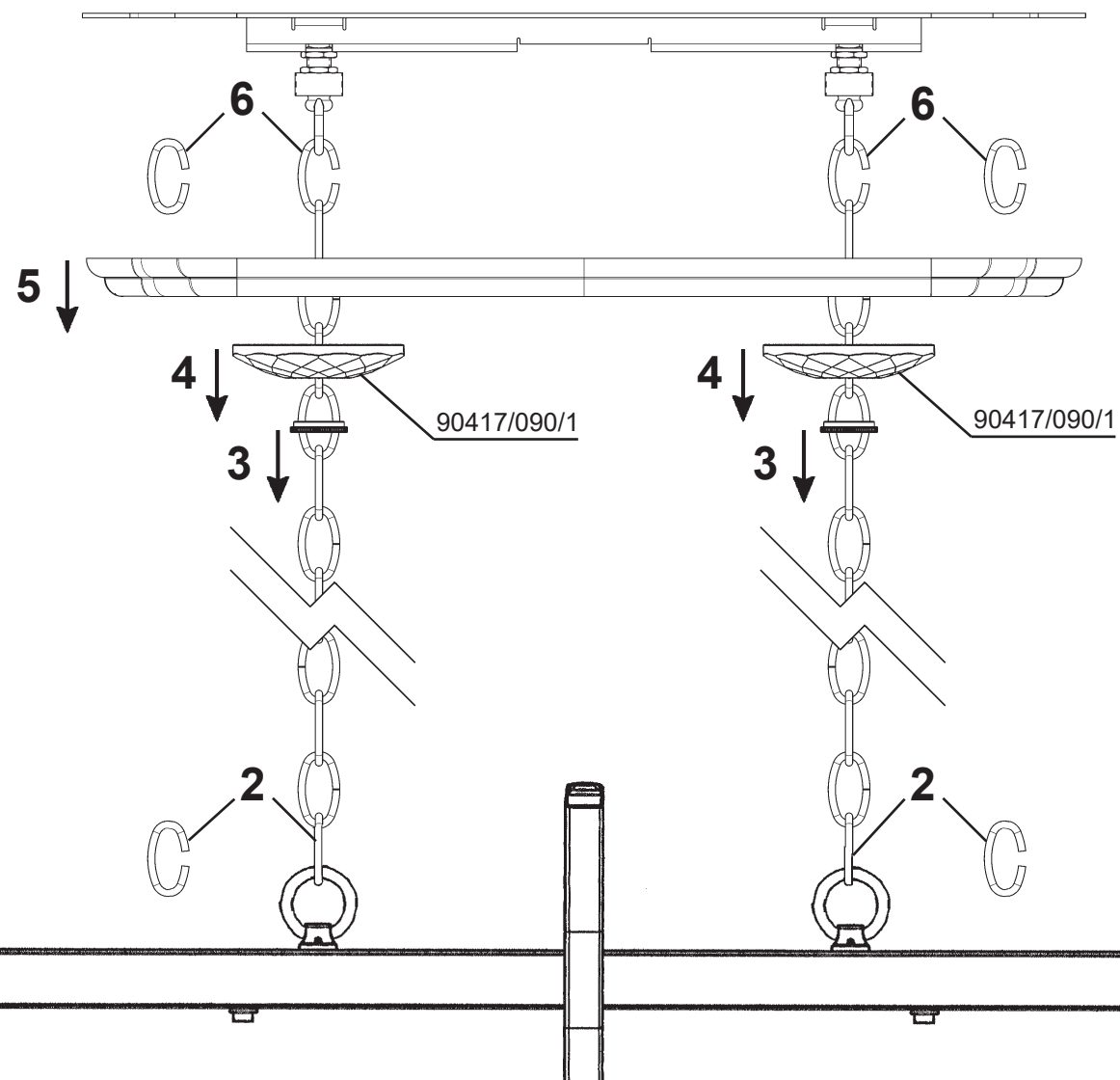
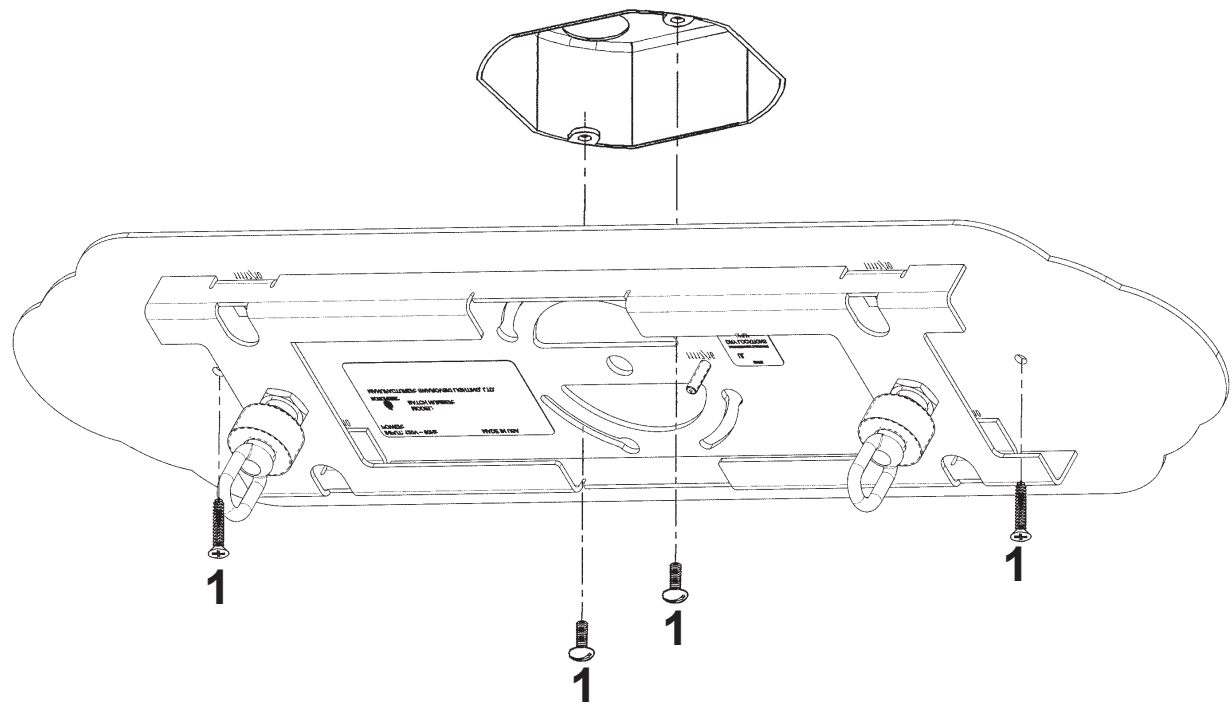


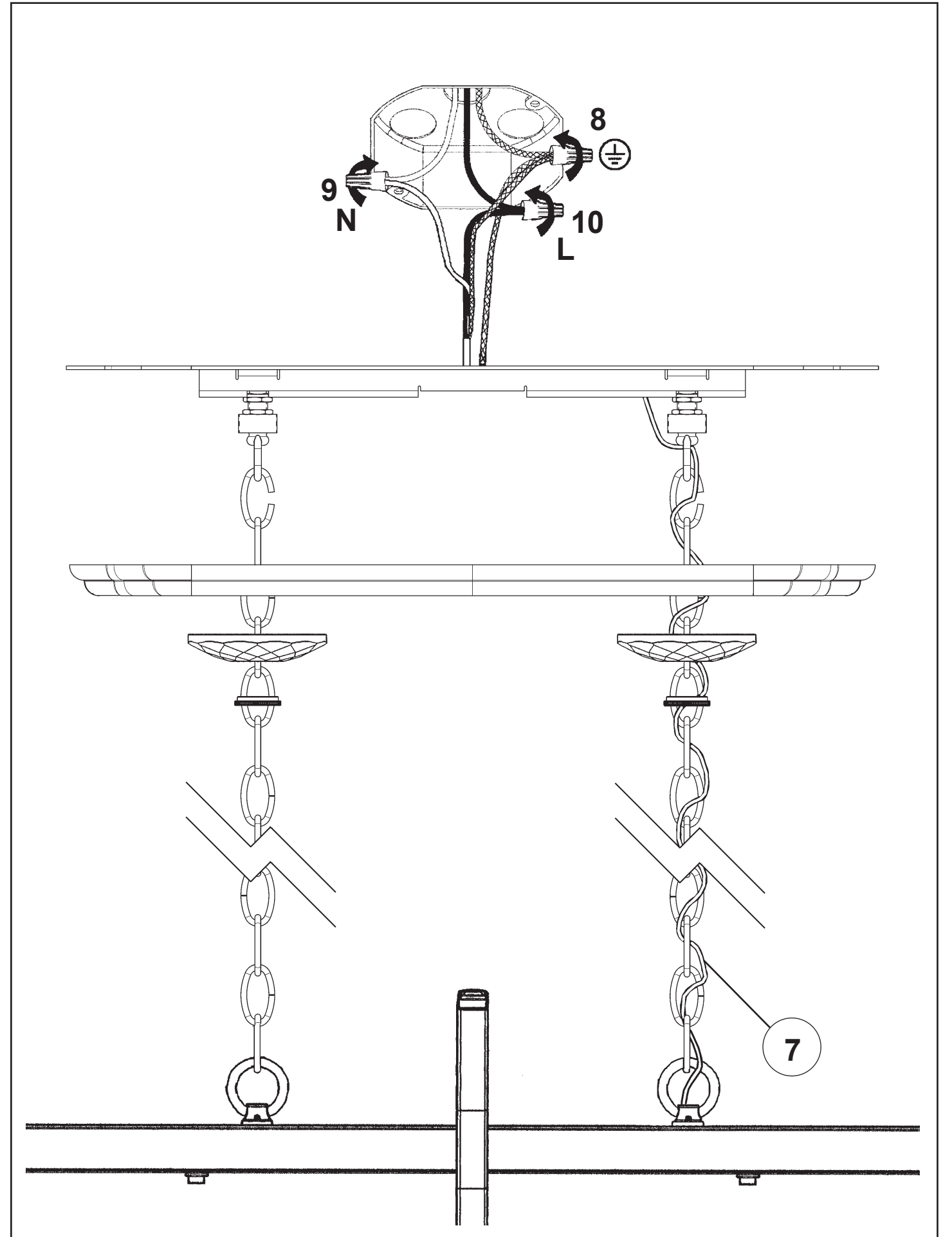
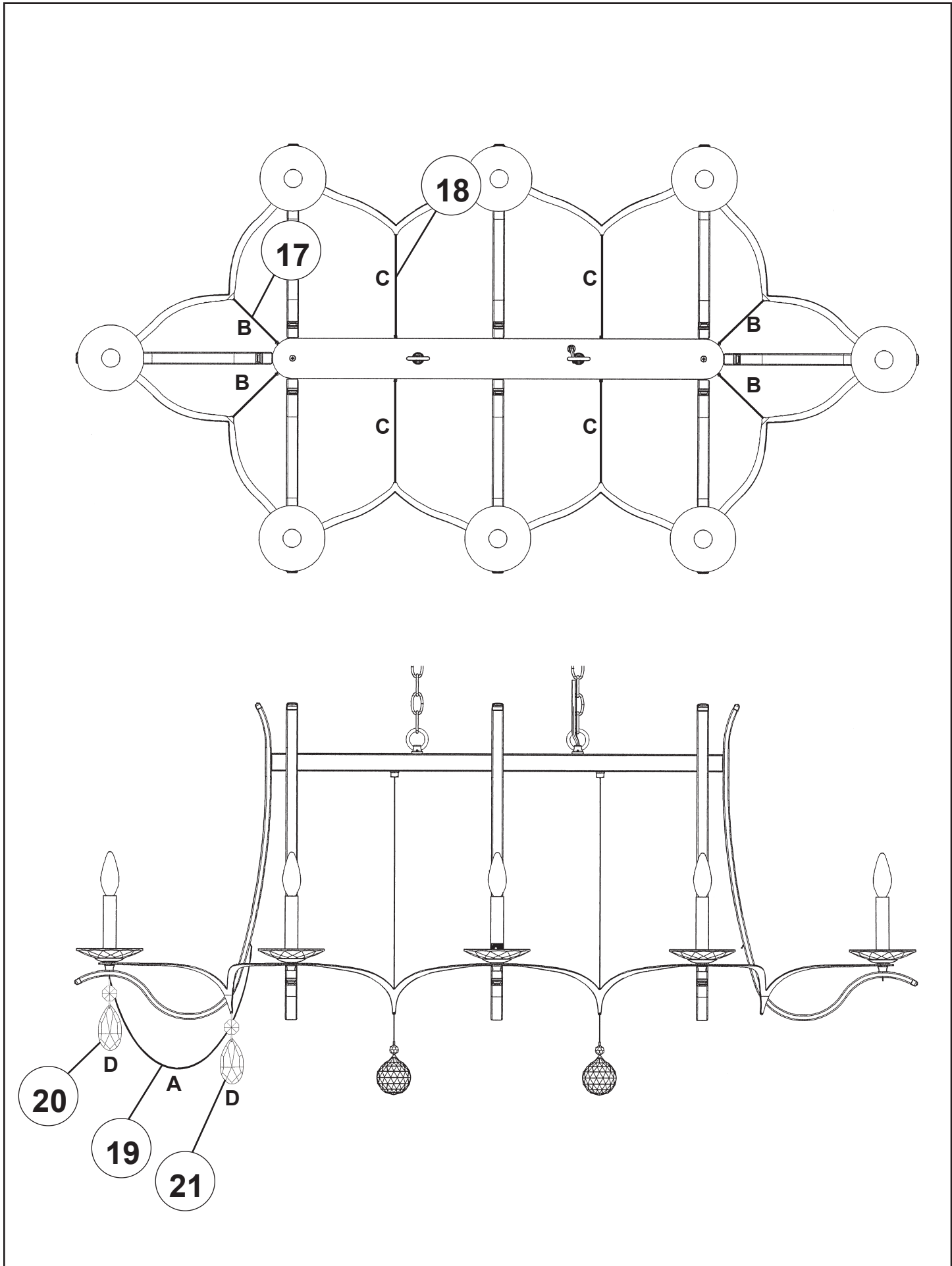
THIS DESIGN IS THE PROPRIETARY
TRADE DRESS/TRADemark OF
W SCHONBEK LLC.

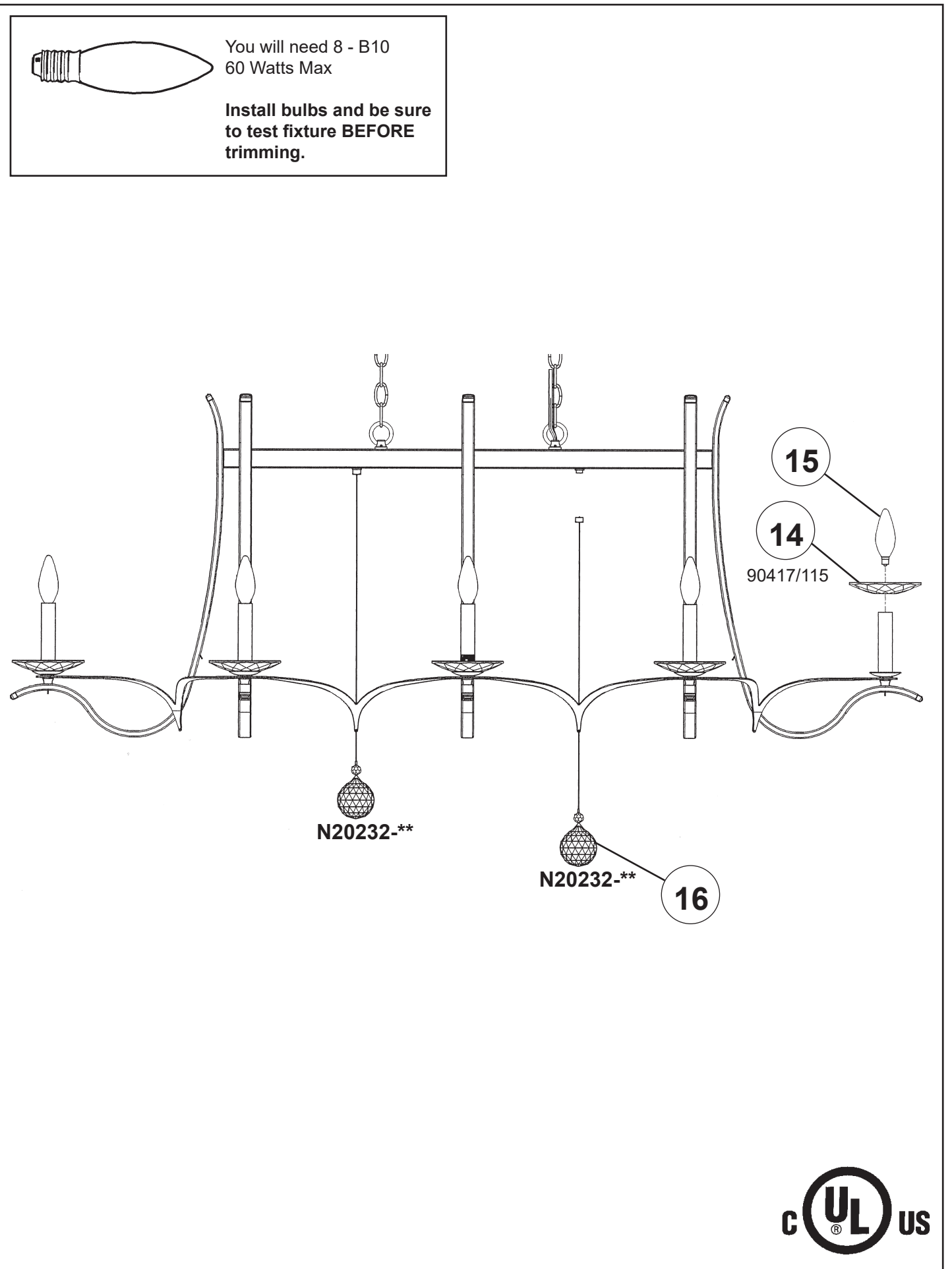
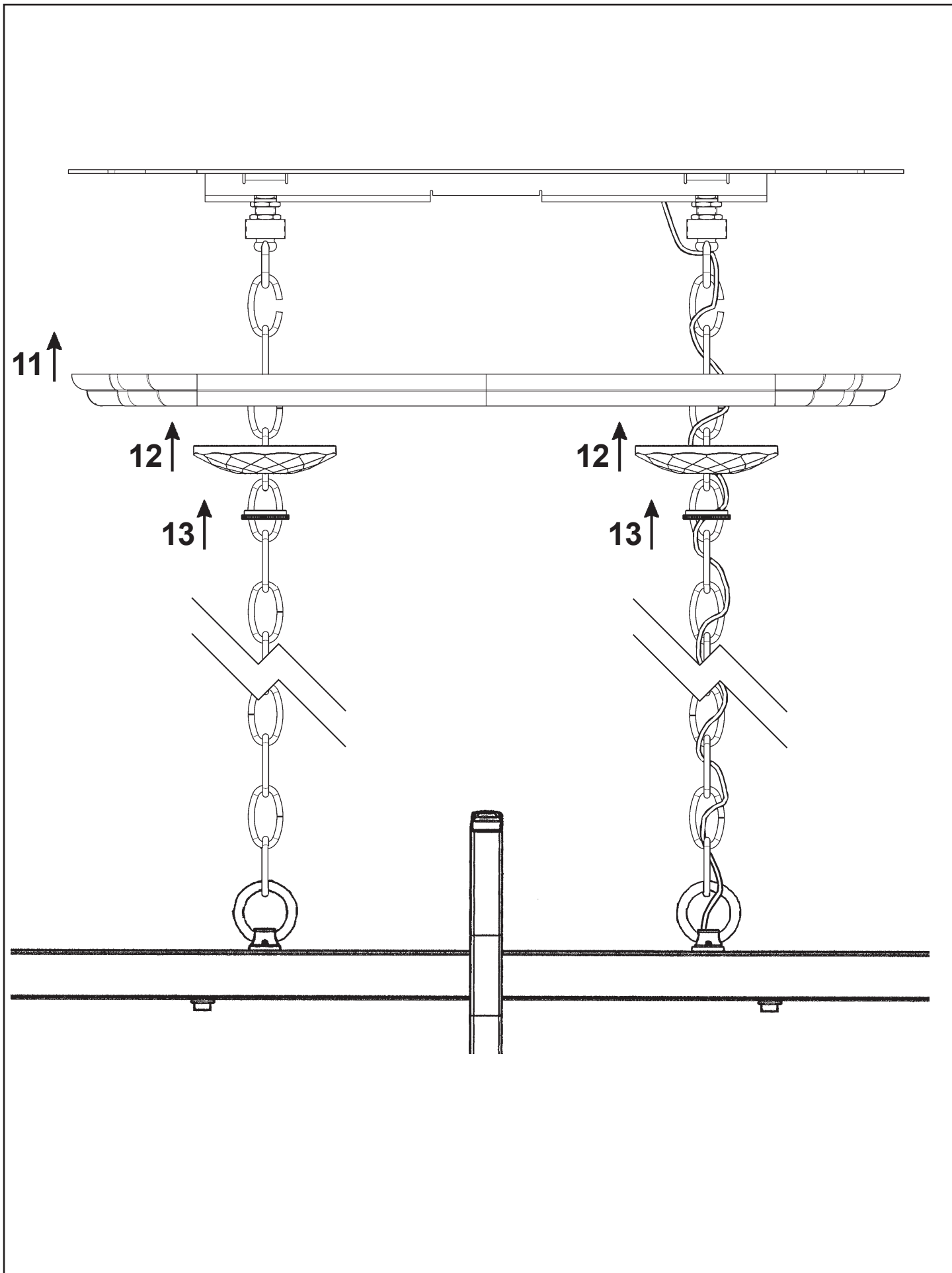
8 Lights
Length: 58"
Width: 30"
Height: 27"
Hanging Weight: 35lbs.

 **SCHONBEK** | 1870

								
MAX 60 W	110-120 V							

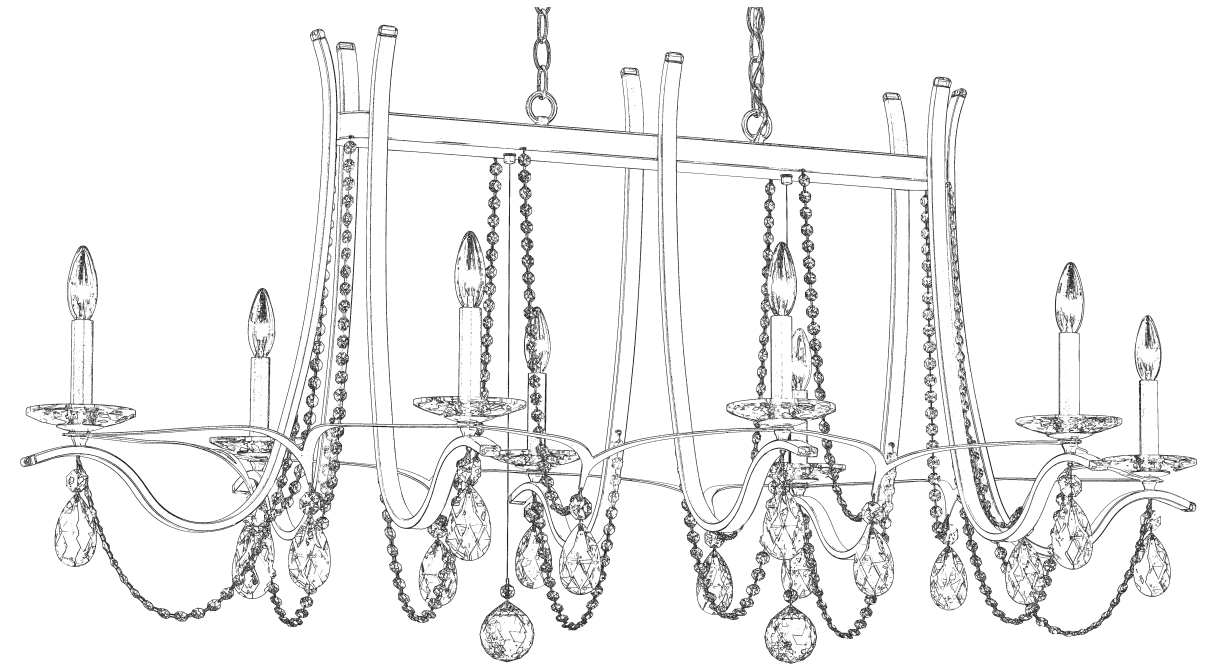






 **SCHONBEK** | 1870

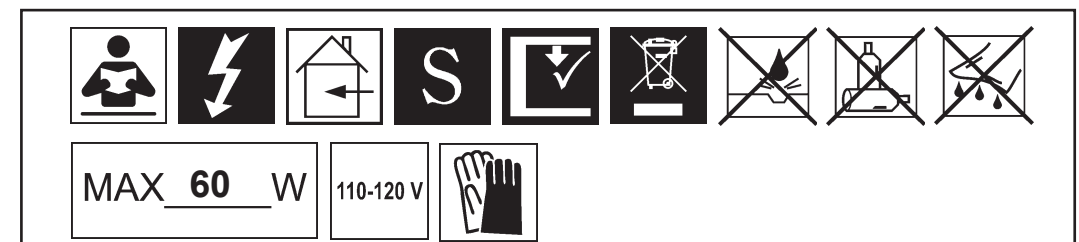
VESCA
VA8436N- __ _ R

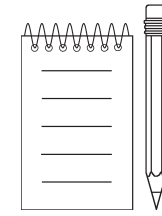
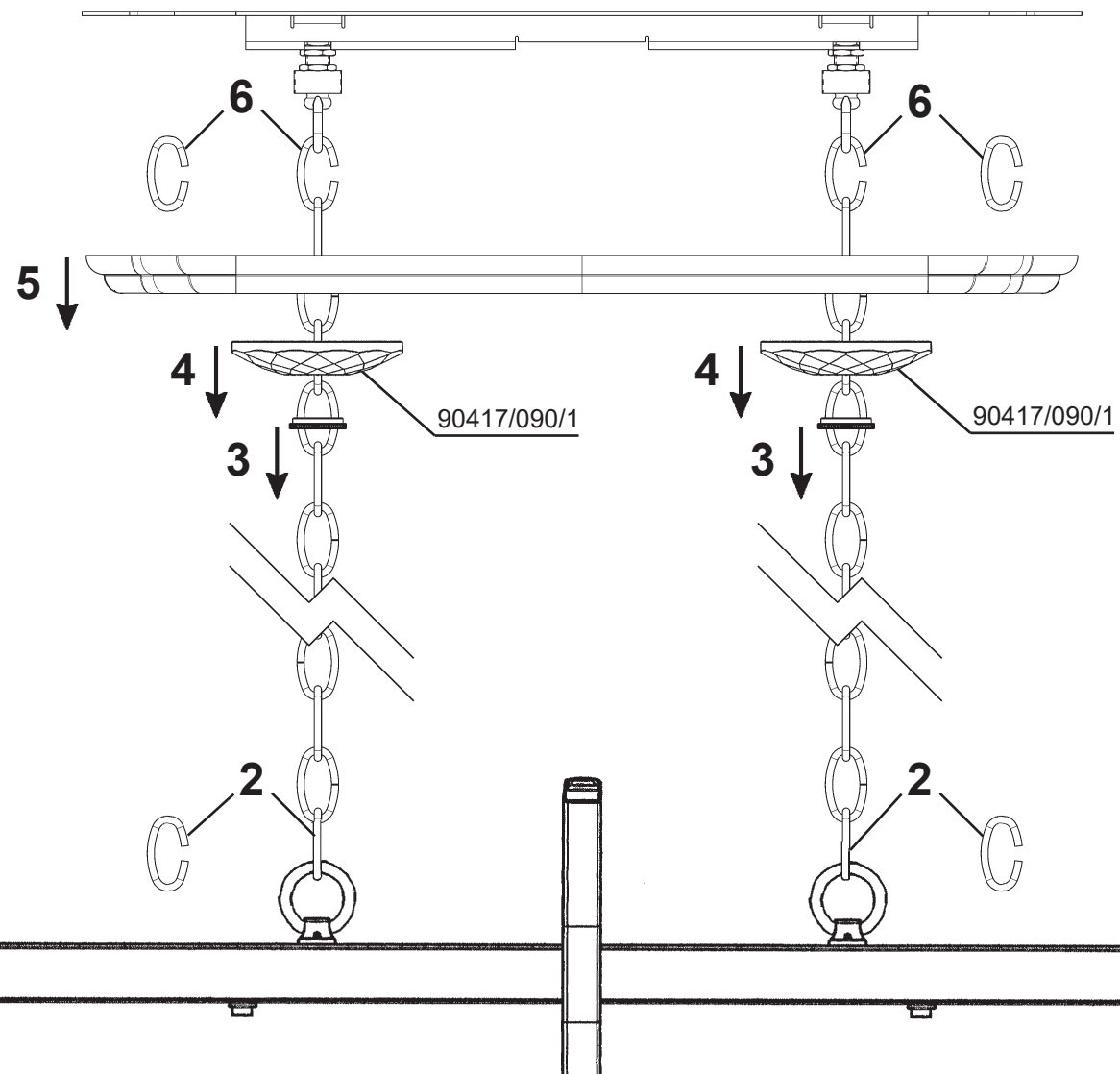
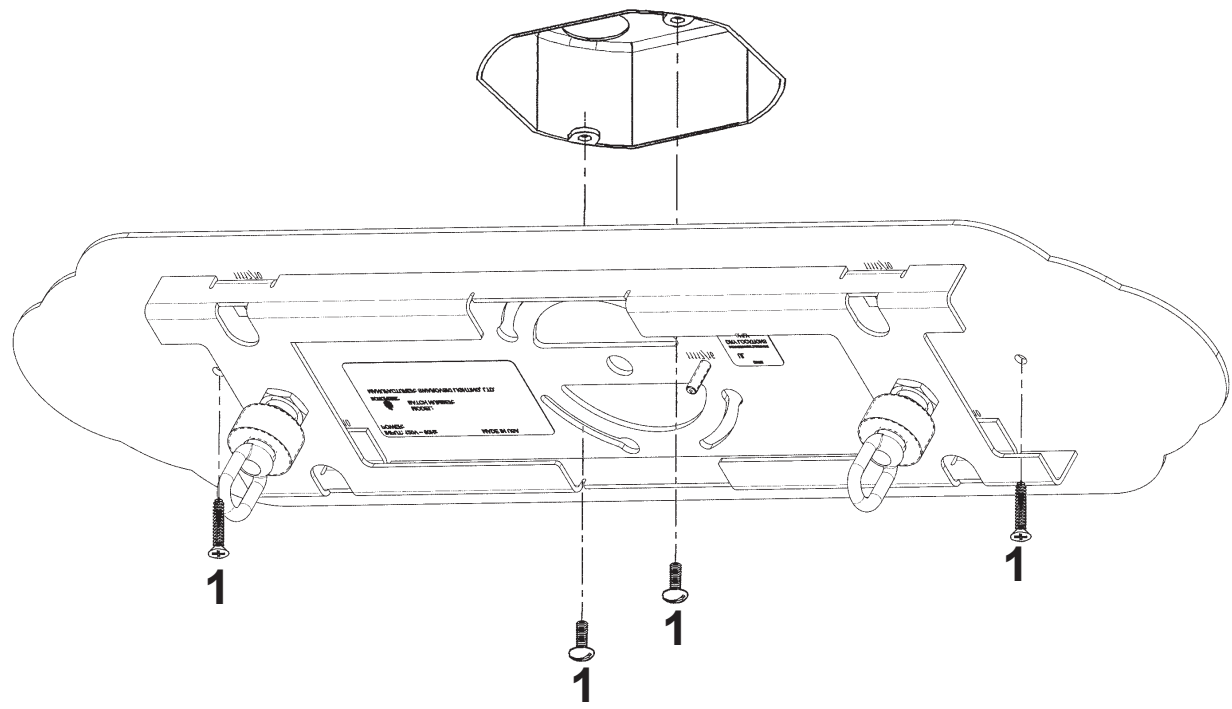


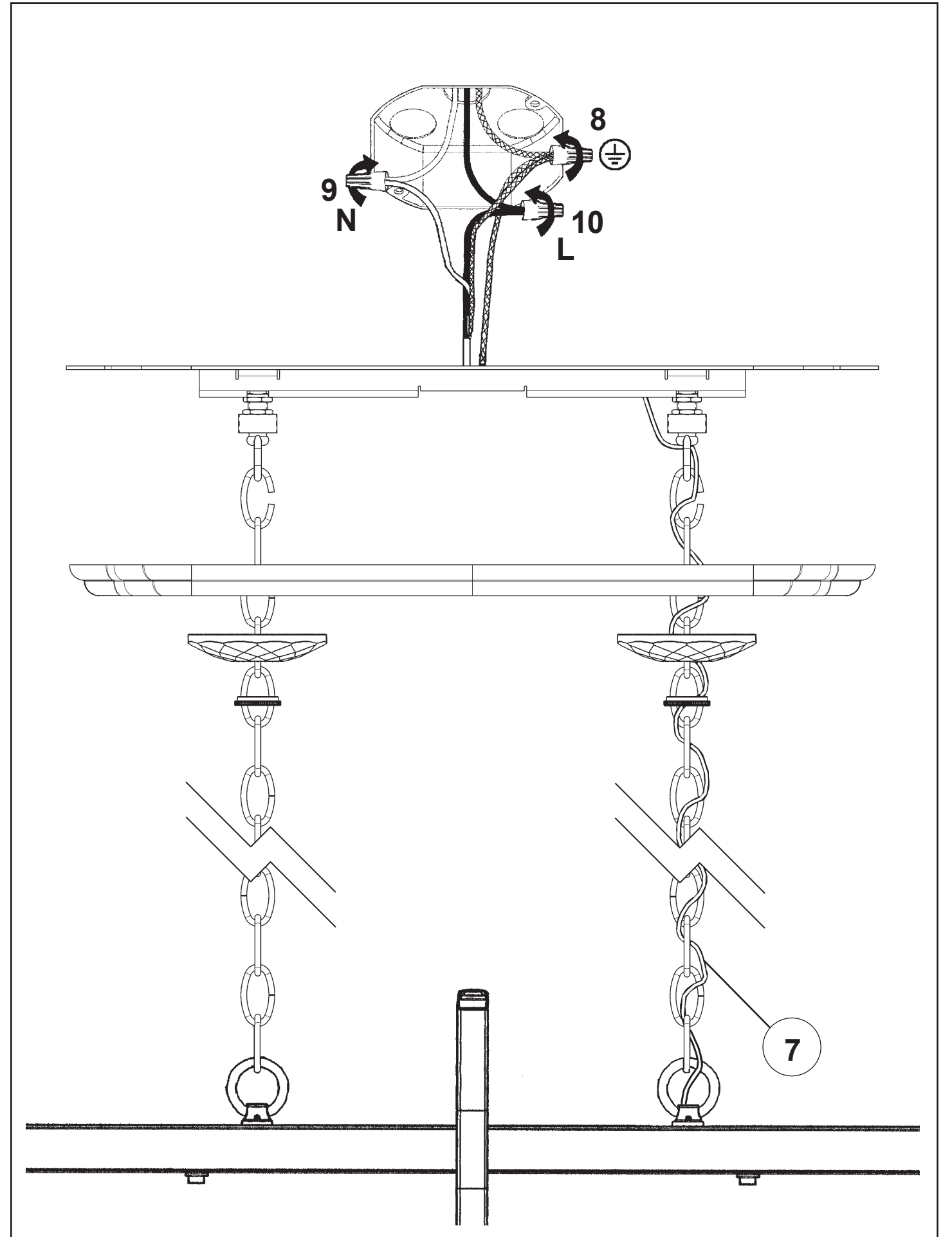
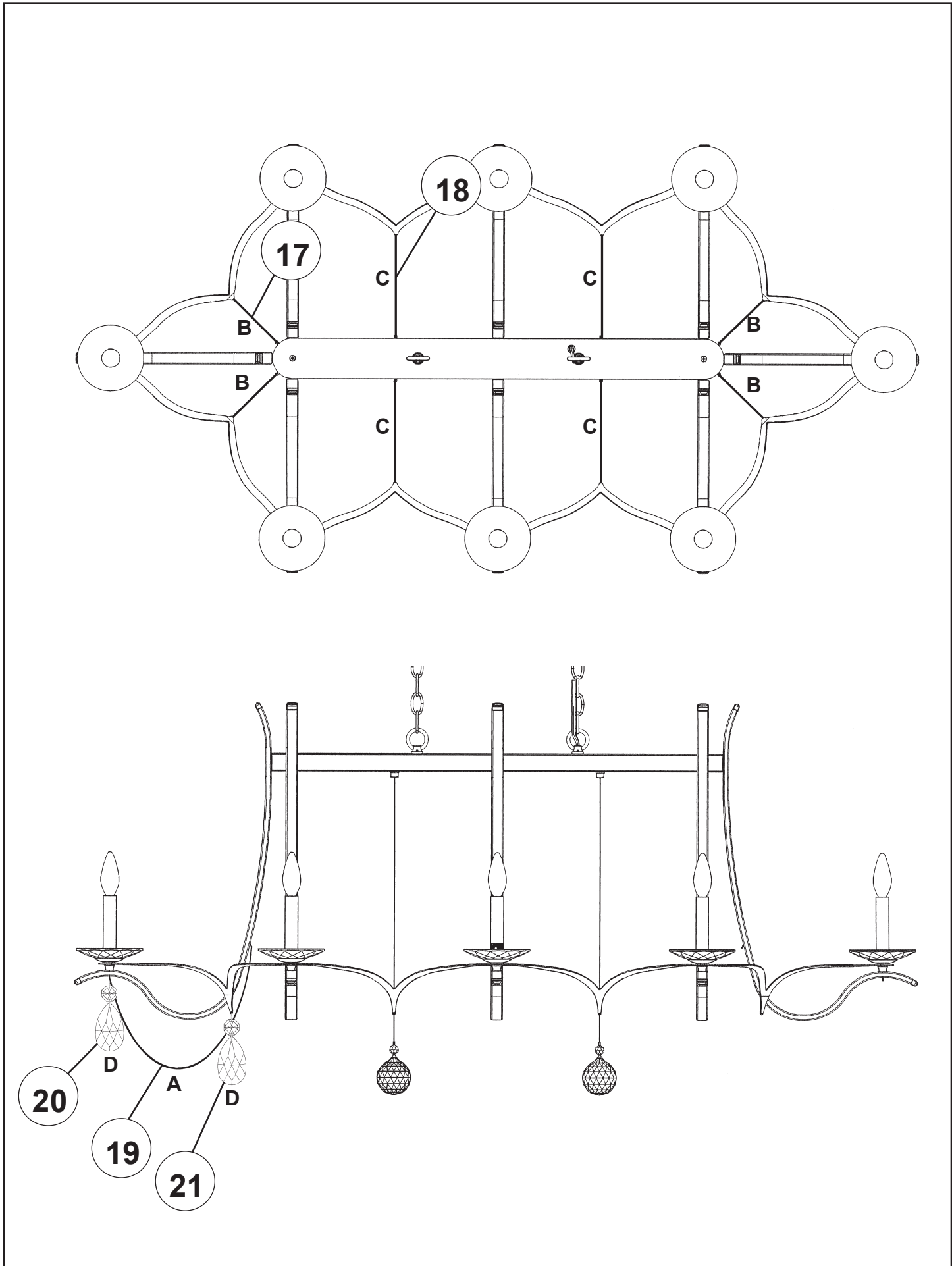
THIS DESIGN IS THE PROPRIETARY
TRADE DRESS/TRADemark OF
W SCHONBEK LLC.

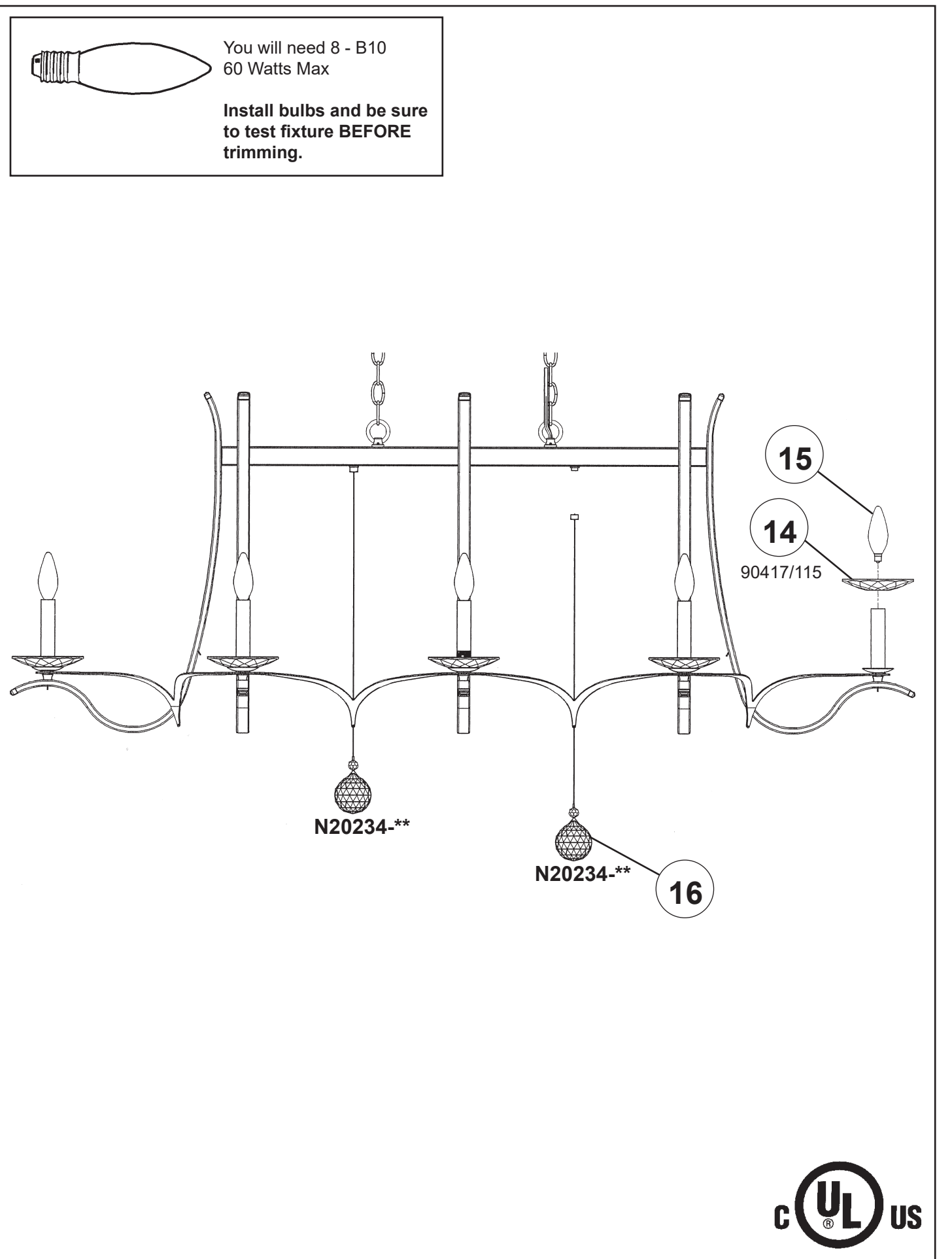
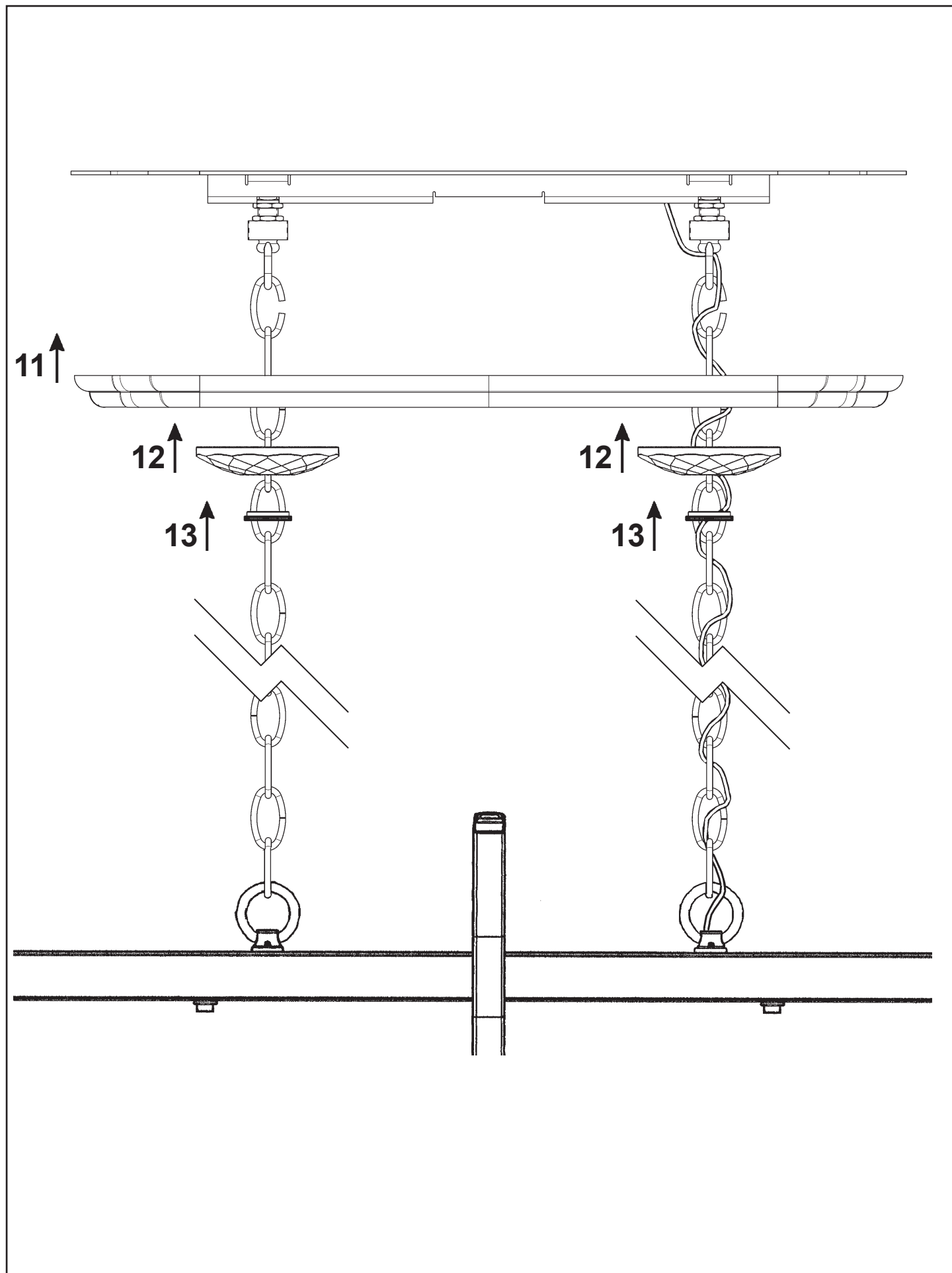
8 Lights
Length: 58"
Width: 30"
Height: 27"
Hanging Weight: 35lbs.

 **SCHONBEK** | 1870



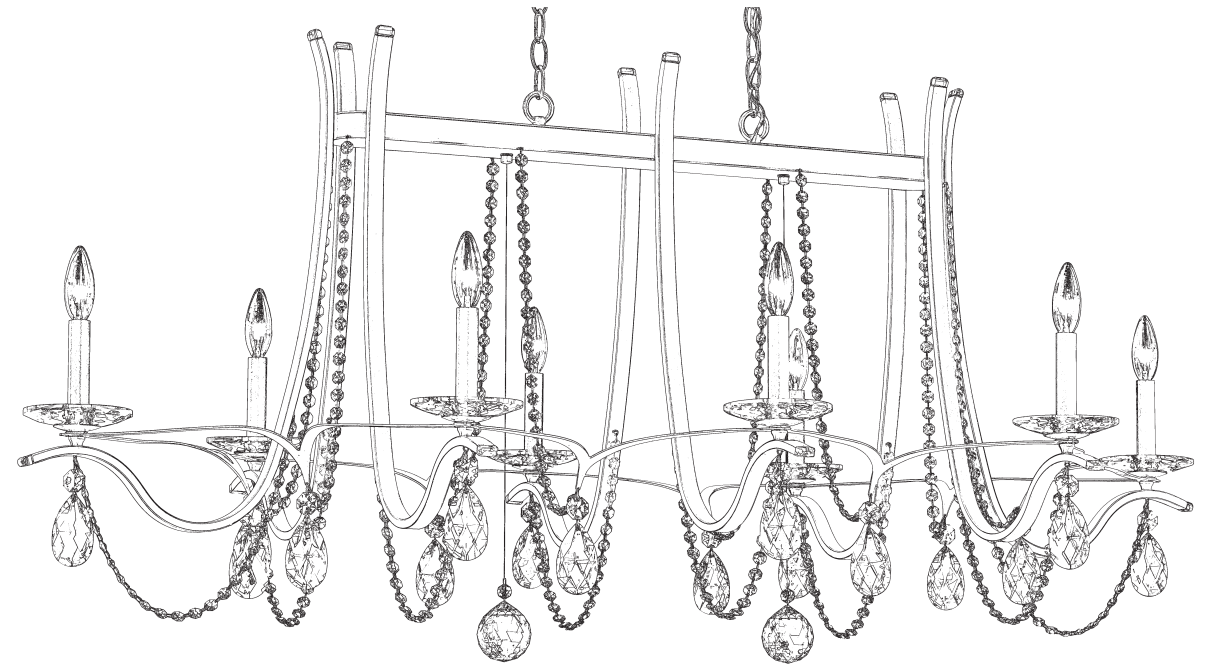






 **SCHONBEK** | 1870










VESCA
VA8436N- __ __ S



THIS DESIGN IS THE PROPRIETARY TRADE DRESS/TRADemark OF W SCHONBEK LLC.

8 Lights
Length: 58"
Width: 30"
Height: 27"
Hanging Weight: 35lbs.

 **SCHONBEK** | 1870

								
MAX 60 W	110-120 V	