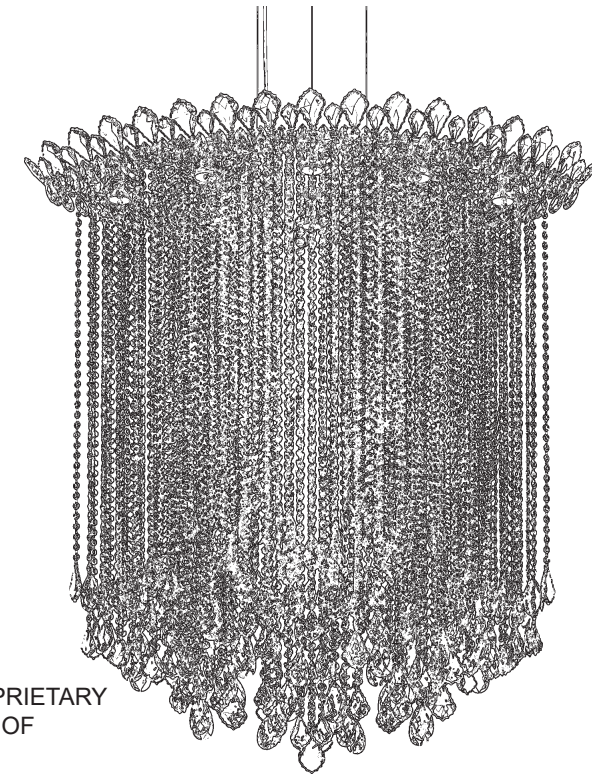


 **SCHONBEK** | 1870










**TRILLIANE STRANDS**  
**TR4813N- \_\_ \_ H**



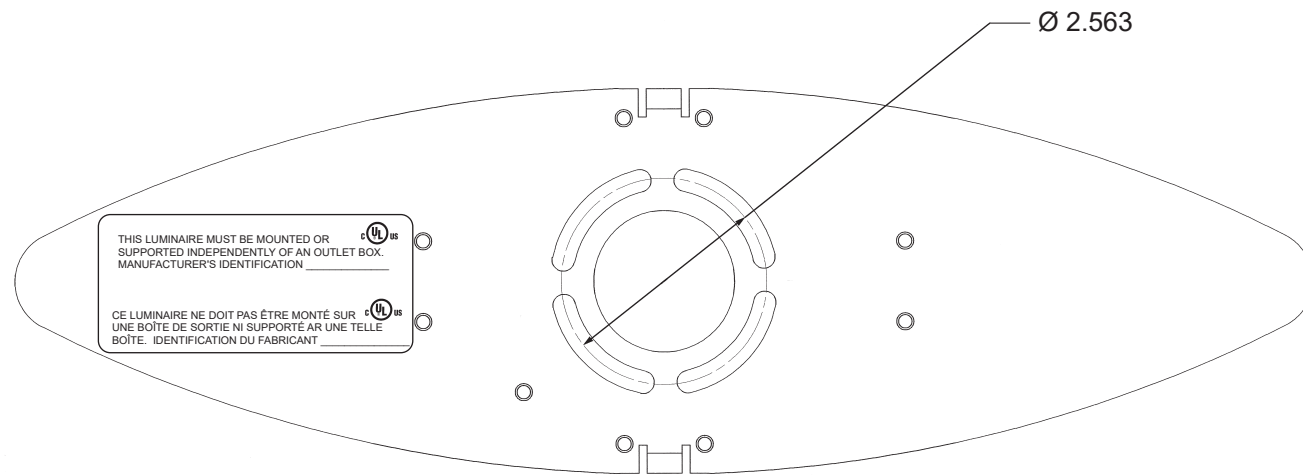
**T**HIS DESIGN IS THE PROPRIETARY  
TRADE DRESS/TRADEMARK OF  
W SCHONBEK LLC.

8 Lights  
Height: 48"  
Length: 45"  
Width: 25"  
Hanging Weight: 83lbs.

 **SCHONBEK** | 1870

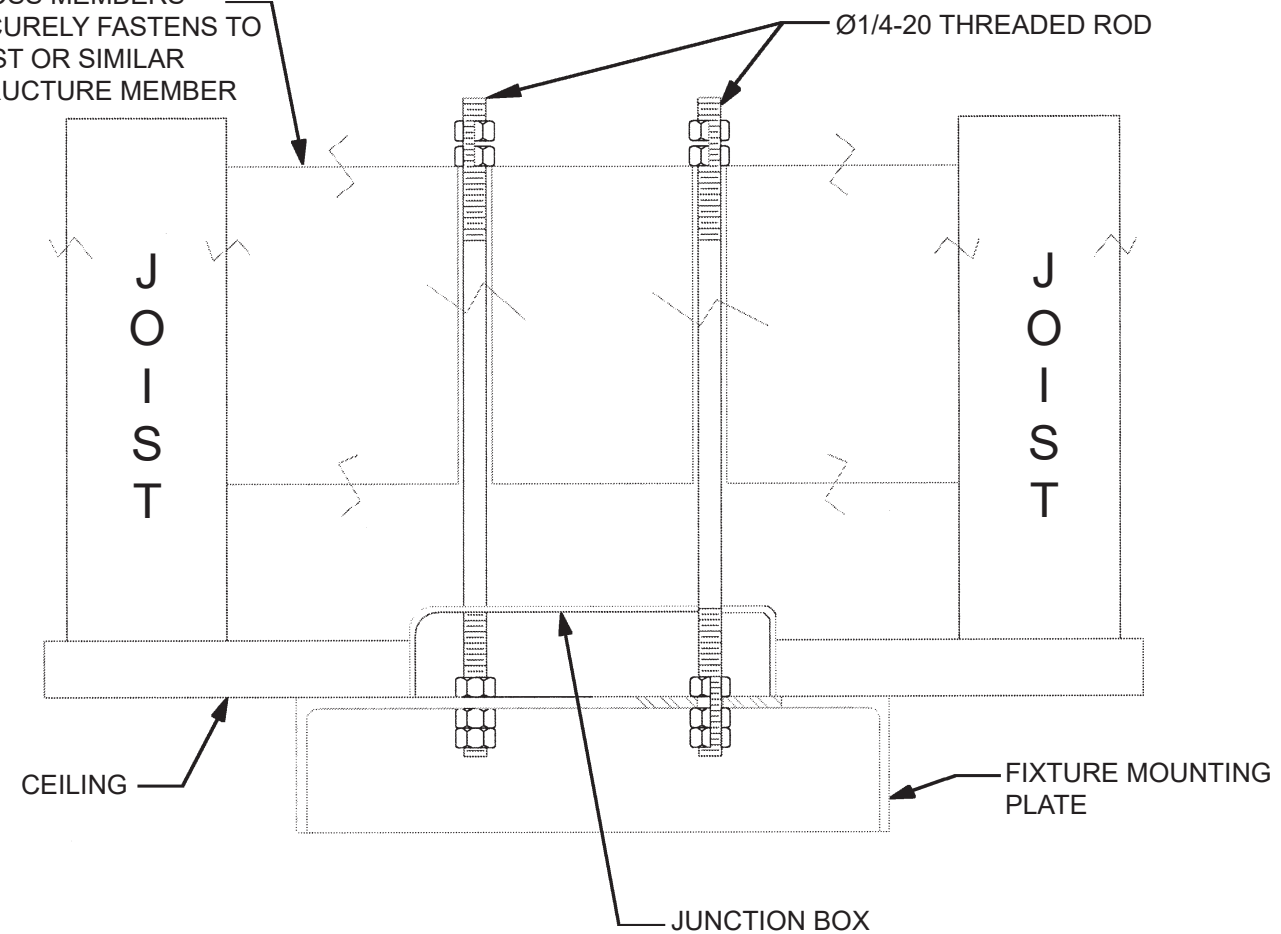
			<b>S</b>					
MAX <b>50</b> W	110-120 V							

**NOTE:** INSTALLER IS SOLELY RESPONSIBLE FOR PROPER MOUNTING!

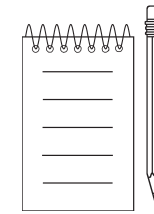


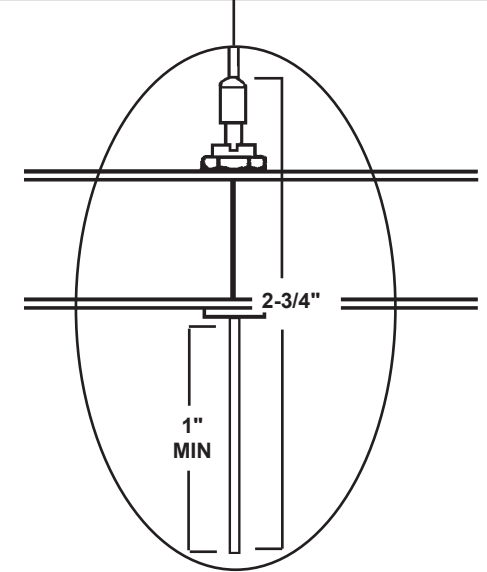
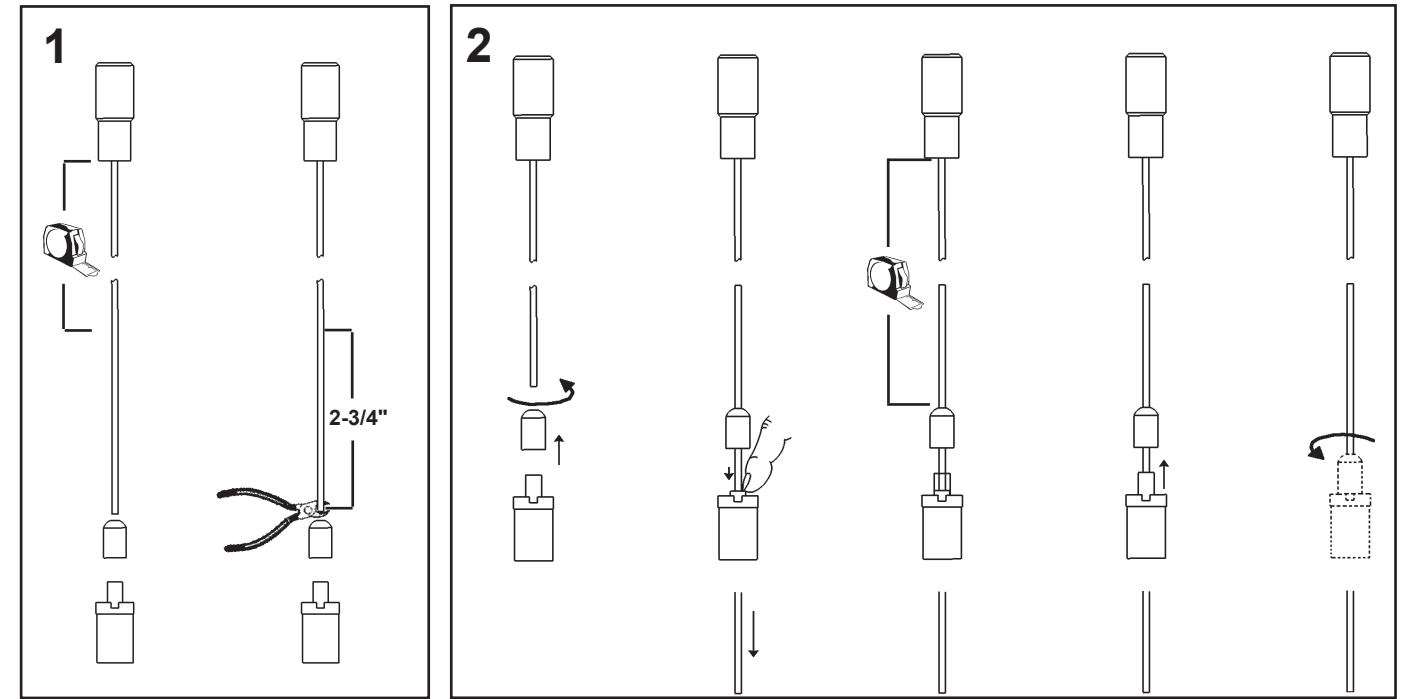
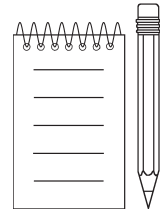
PLAN VIEW OF MOUNTING BRACKET

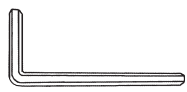
CROSS MEMBERS  
SECURELY FASTENS TO  
JOIST OR SIMILAR  
STRUCTURE MEMBER

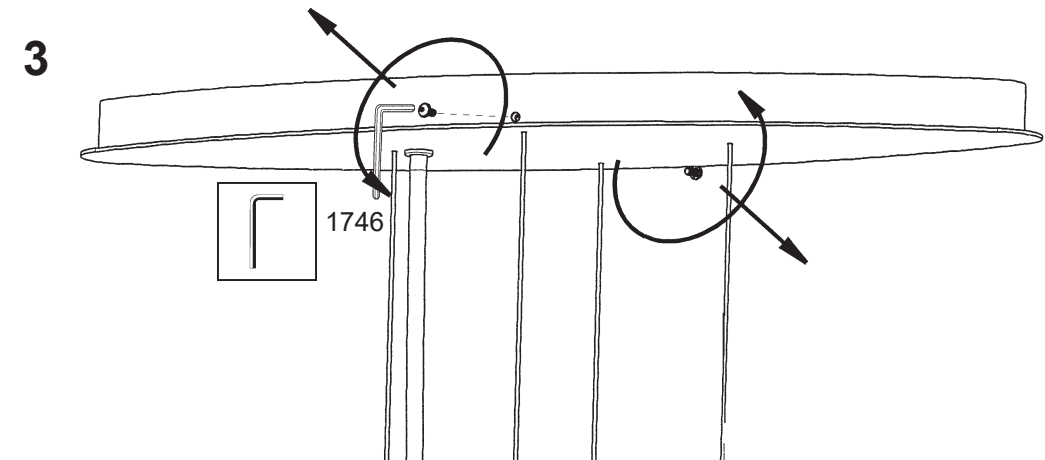


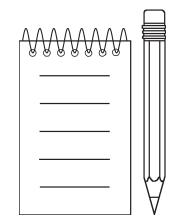
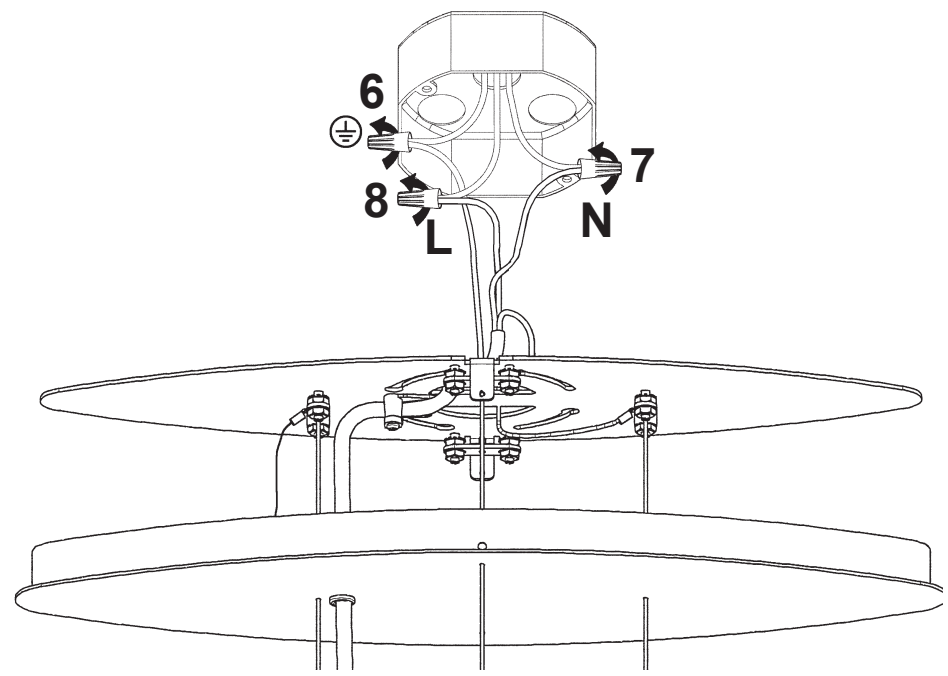
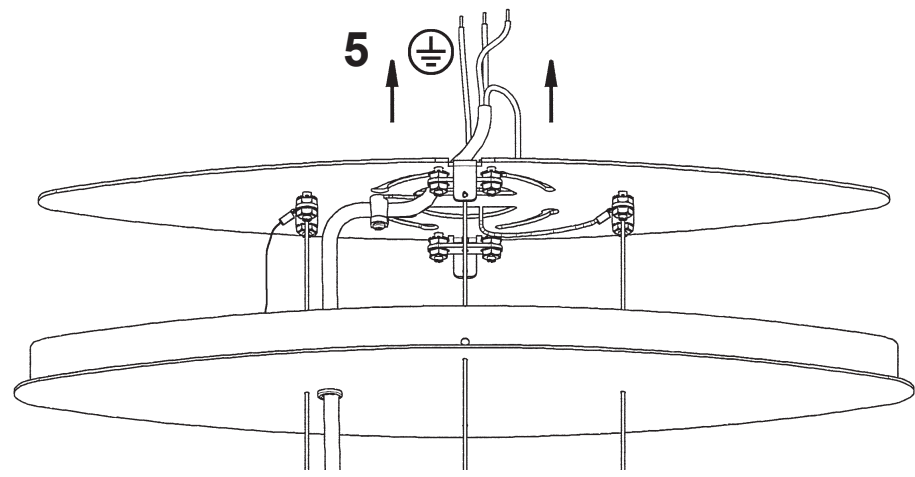
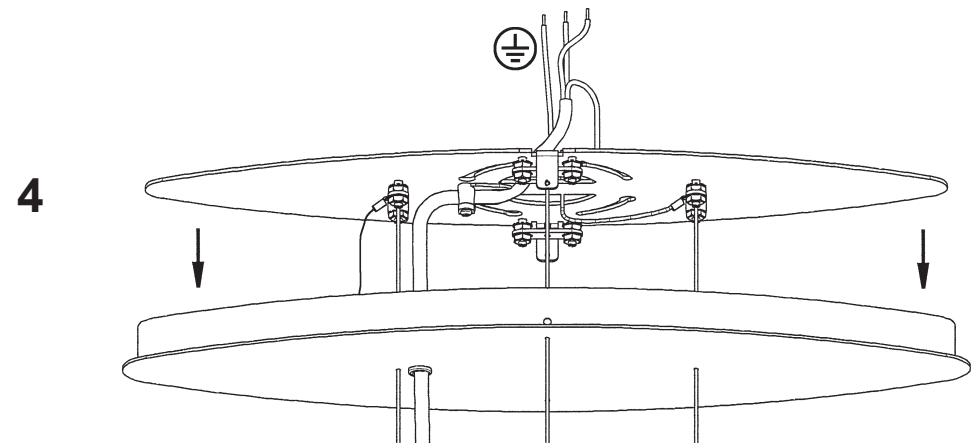
**WARNING:**  
MOUNTING CONFIGURATION AND HARDWARE MUST HOLD 4X THE  
WEIGHT OF THE FIXTURE. MOUNTING DESIGN AND FIXTURE  
INSTALLATION SHOULD BE CONDUCTED BY A QUALIFIED  
LICENSED PROFESSIONAL.

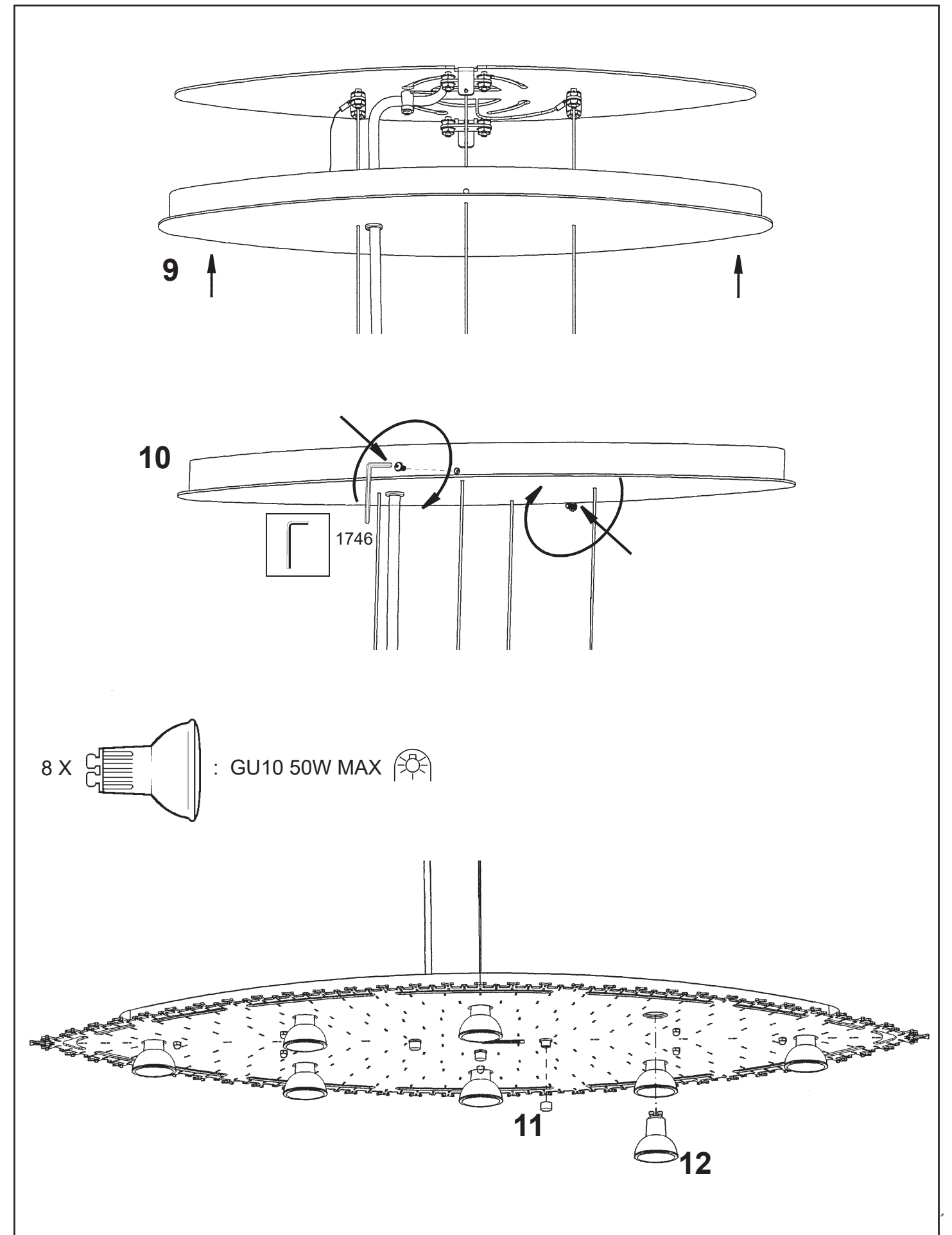
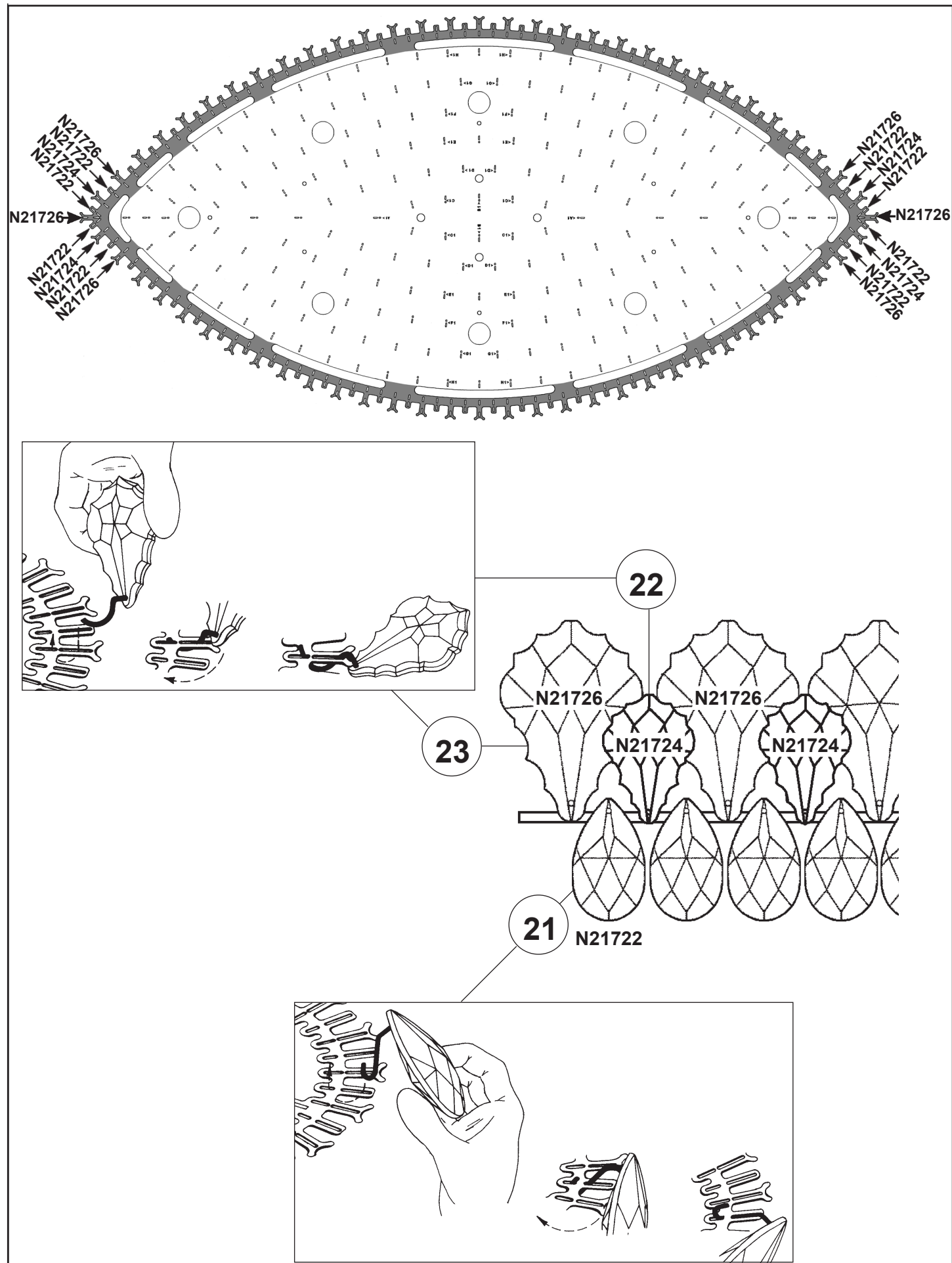


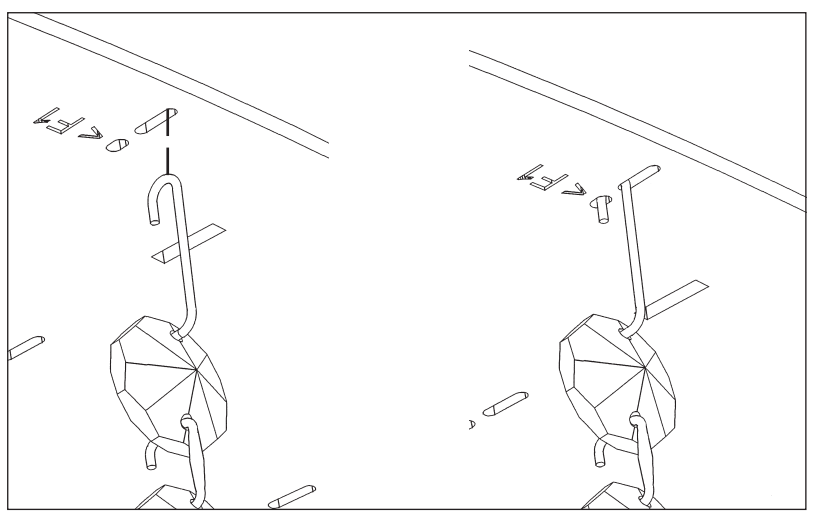
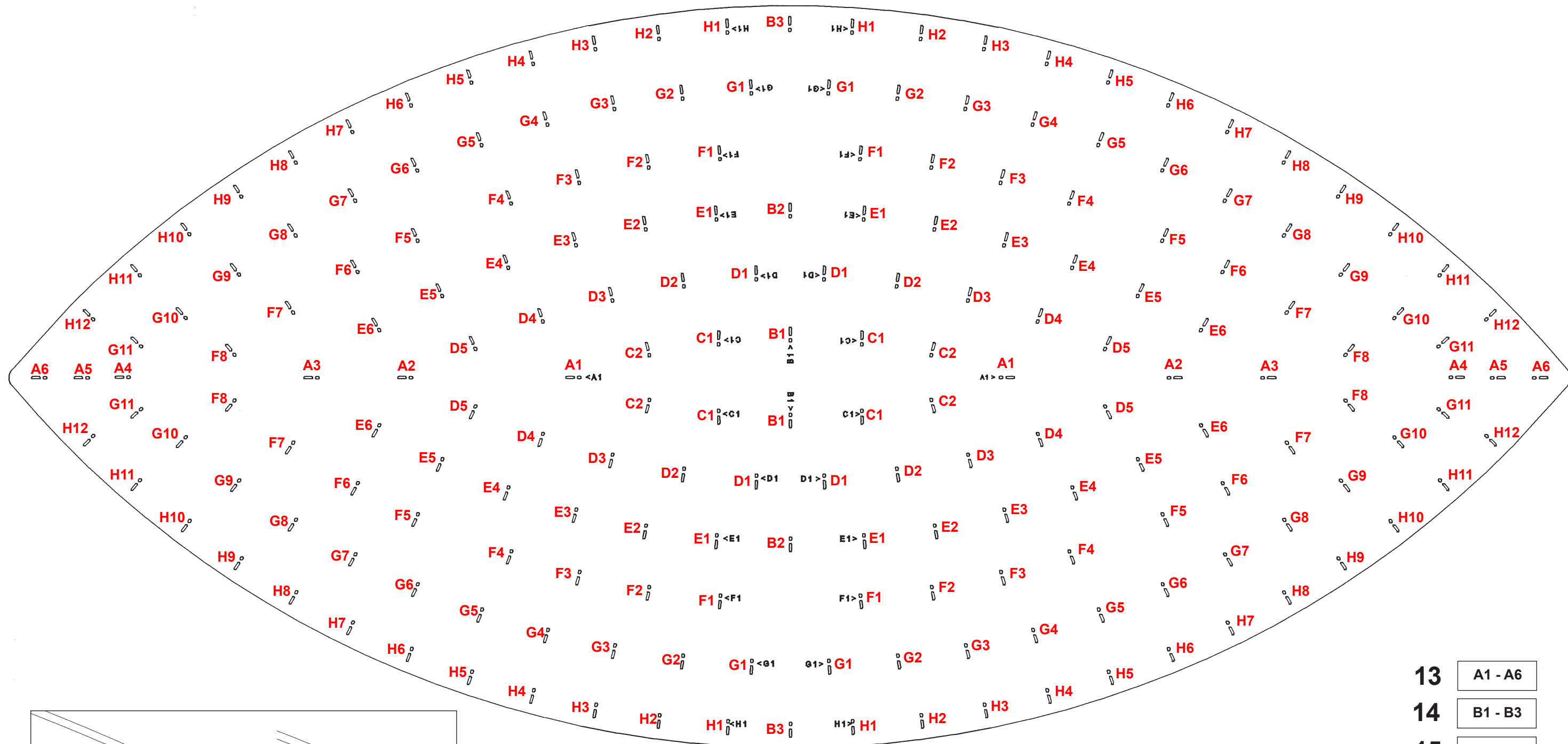


1 X  : 1746









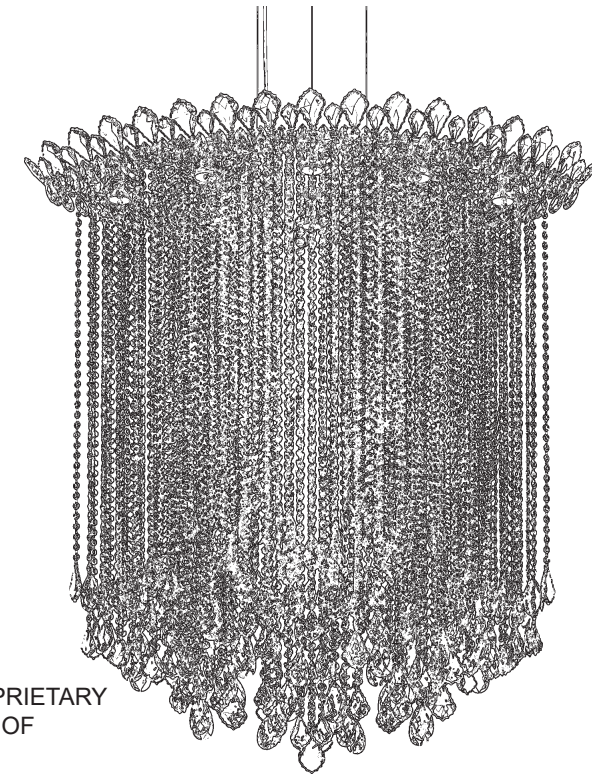
After hanging all trim, remove labels from crystals. If residue remains, wipe off crystal with a soft, dry cloth.

- 13 A1 - A6
- 14 B1 - B3
- 15 C1 - C2
- 16 D1 - D5
- 17 E1 - E6
- 18 F1 - F8
- 19 G1 - G11
- 20 H1 - H12



 **SCHONBEK** | 1870










**TRILLIANE STRANDS**  
**TR4813N- \_\_ \_ R**



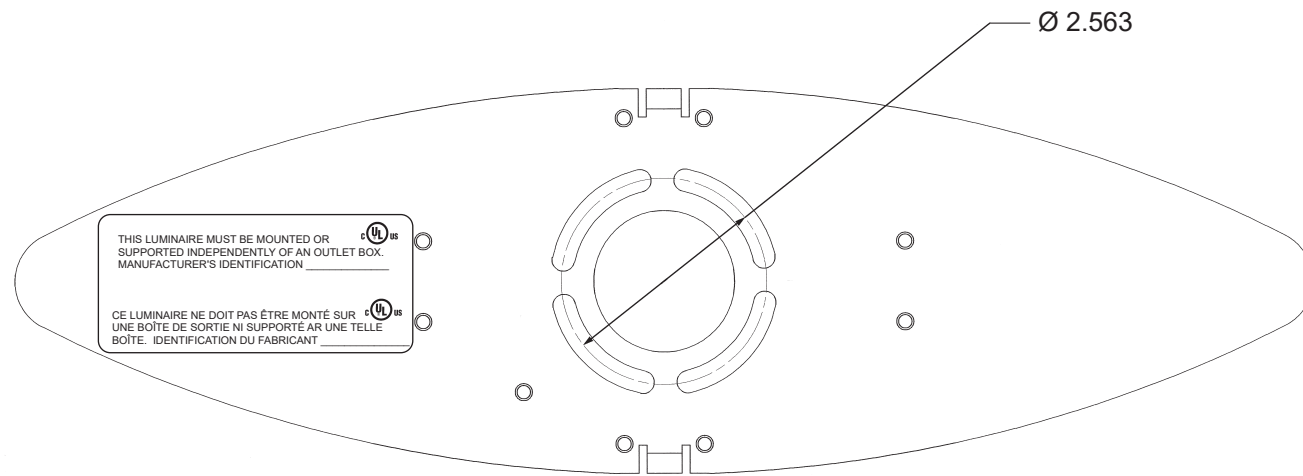
**T**HIS DESIGN IS THE PROPRIETARY  
TRADE DRESS/TRADEMARK OF  
W SCHONBEK LLC.

8 Lights  
Height: 48"  
Length: 45"  
Width: 25"  
Hanging Weight: 83lbs.

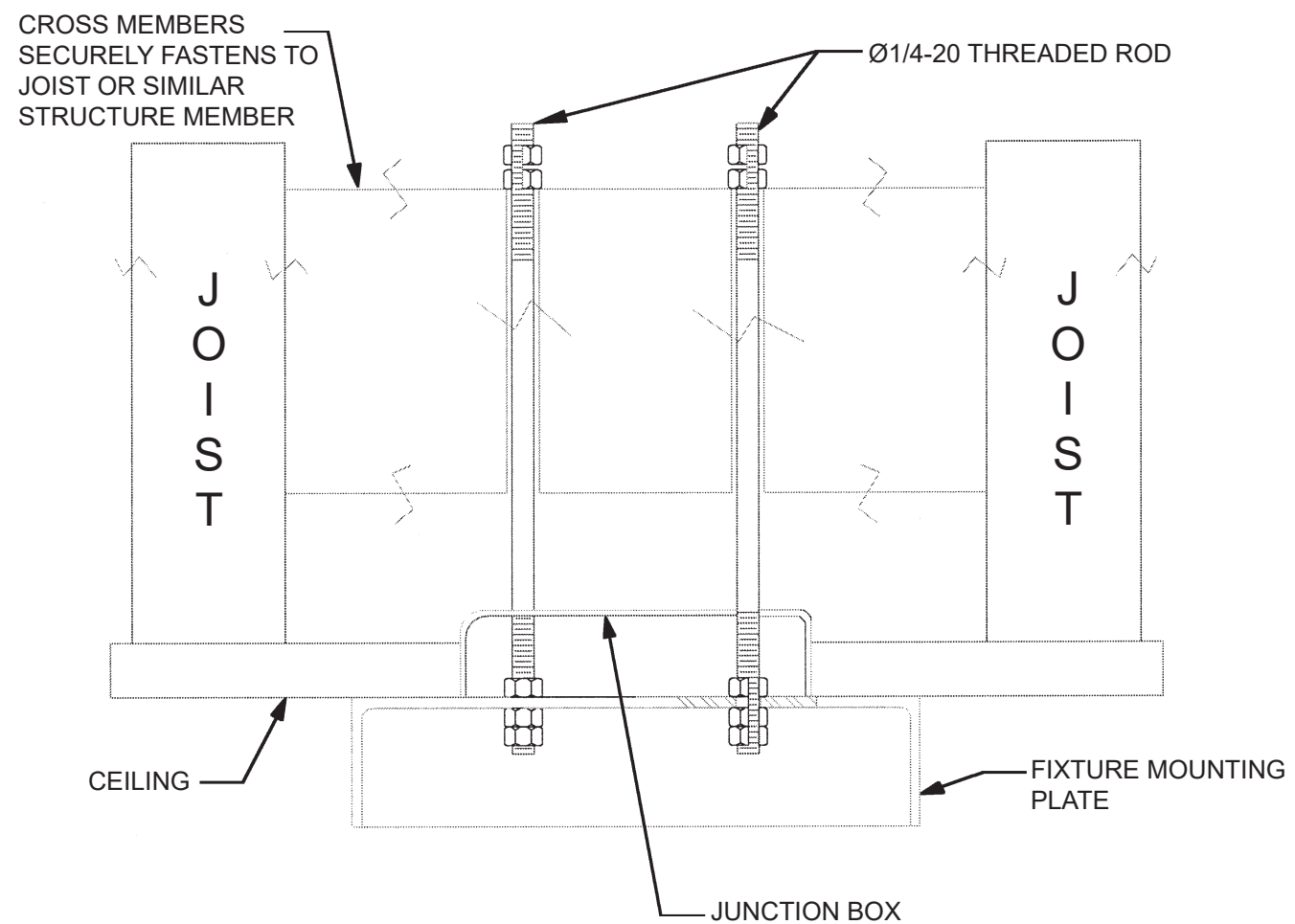
 **SCHONBEK** | 1870

			<b>S</b>					
MAX <b>50</b> W	110-120 V							

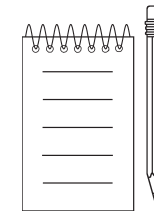
**NOTE:** INSTALLER IS SOLELY RESPONSIBLE FOR PROPER MOUNTING!



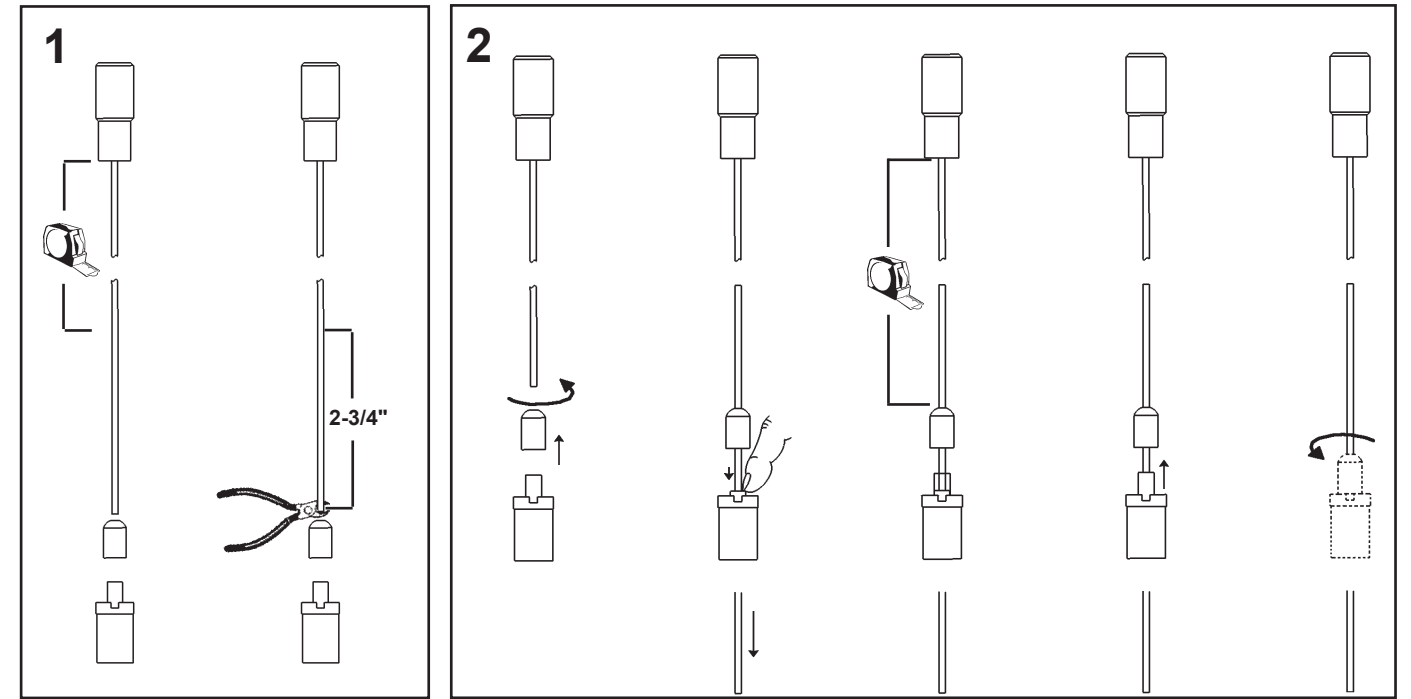
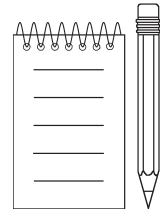
PLAN VIEW OF MOUNTING BRACKET

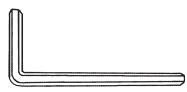


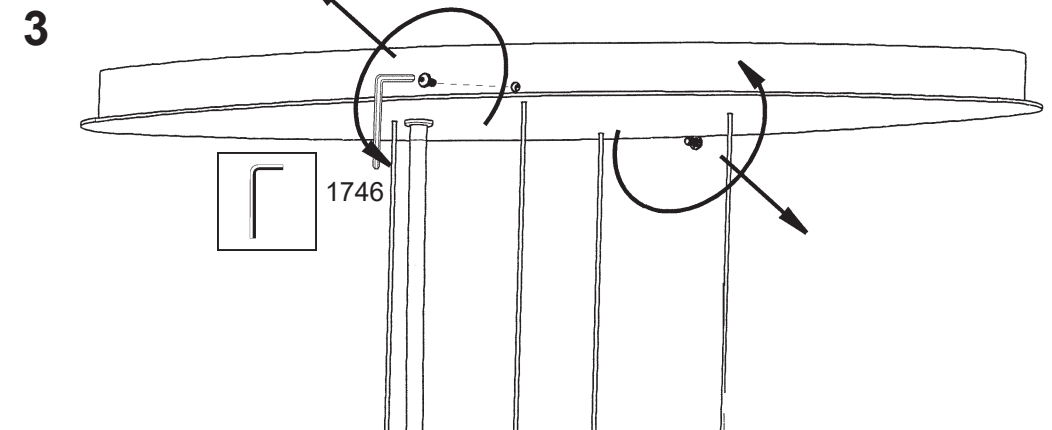
**WARNING:**  
MOUNTING CONFIGURATION AND HARDWARE MUST HOLD 4X THE WEIGHT OF THE FIXTURE. MOUNTING DESIGN AND FIXTURE INSTALLATION SHOULD BE CONDUCTED BY A QUALIFIED LICENSED PROFESSIONAL.

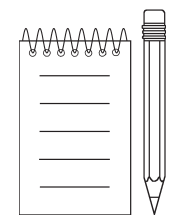
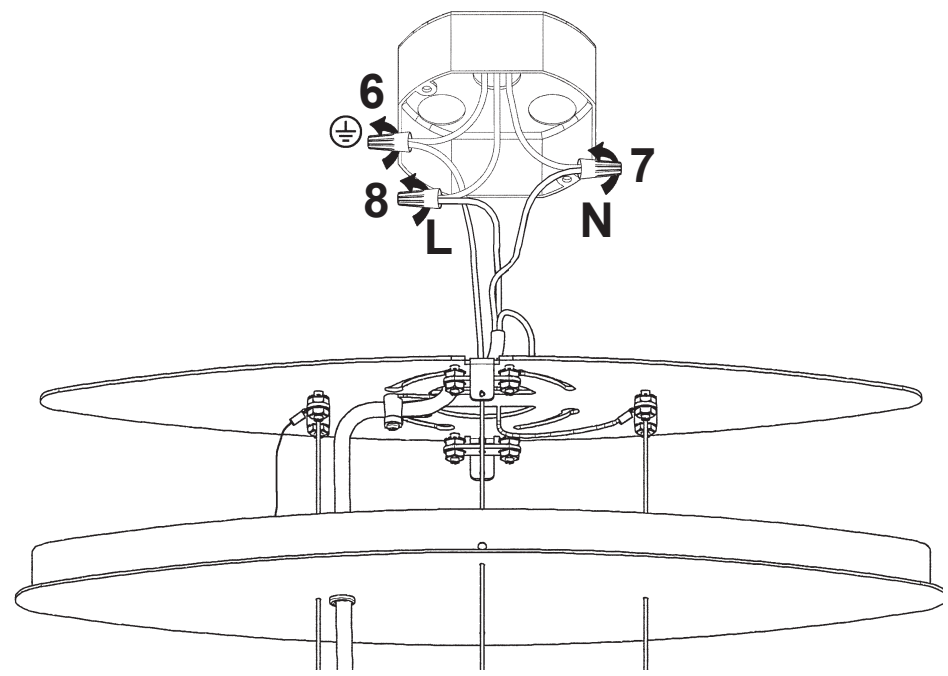
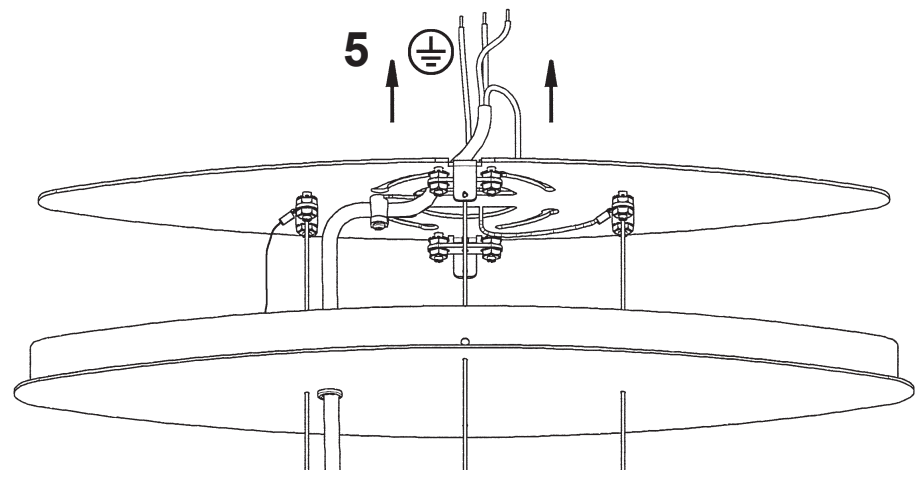
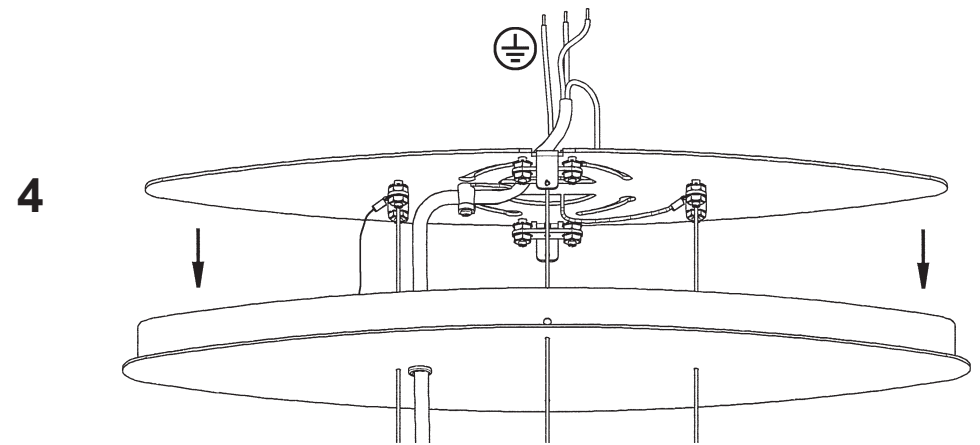


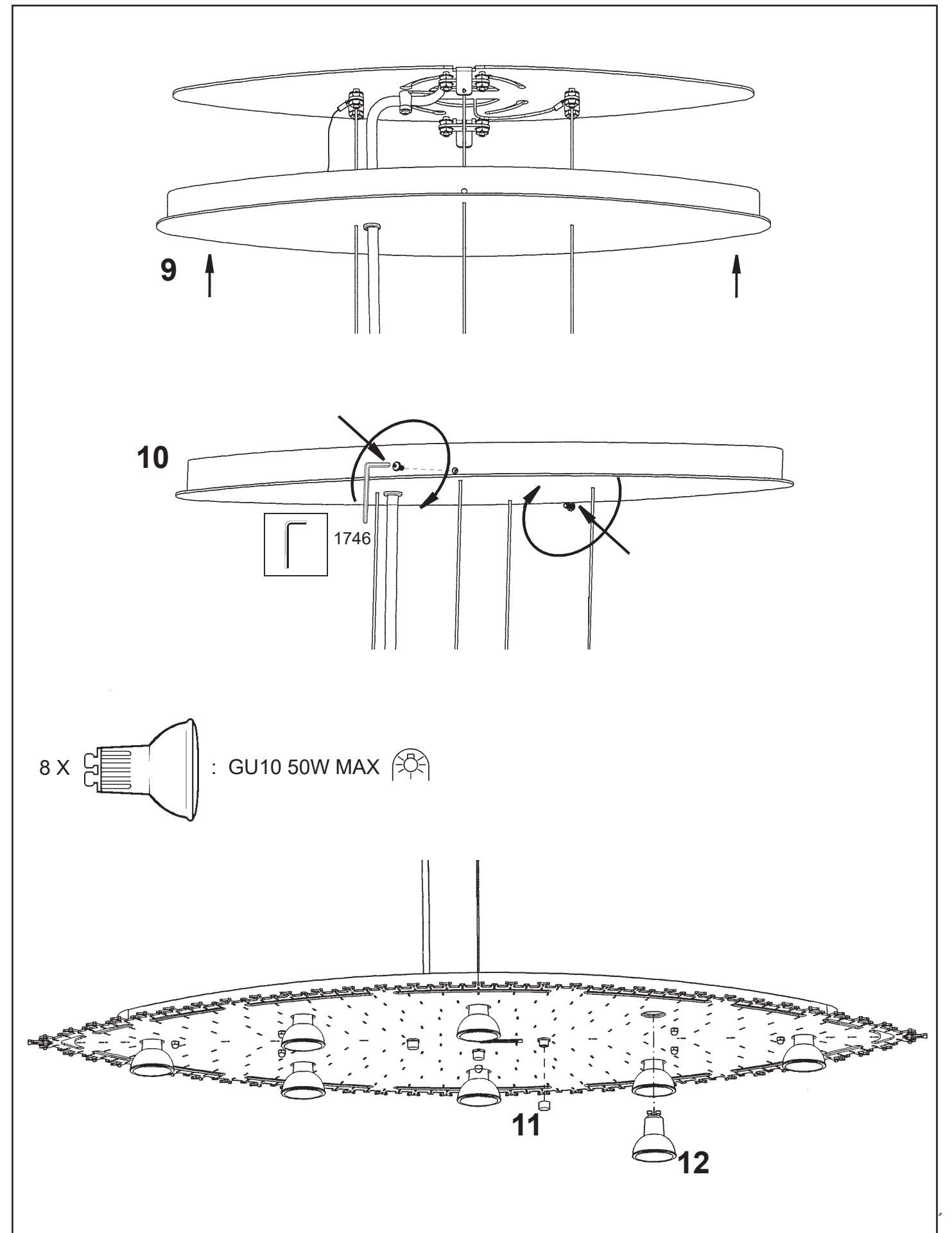
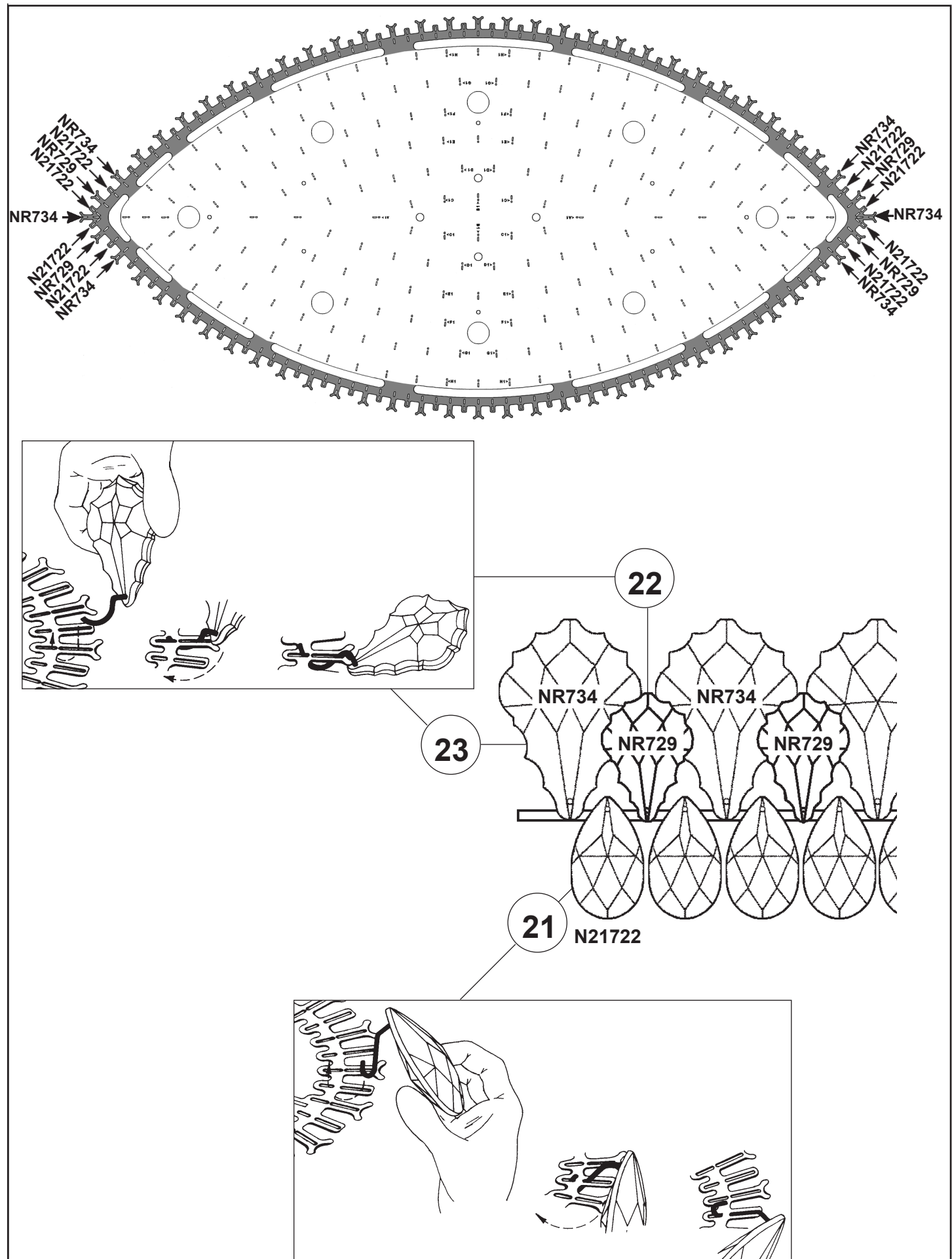


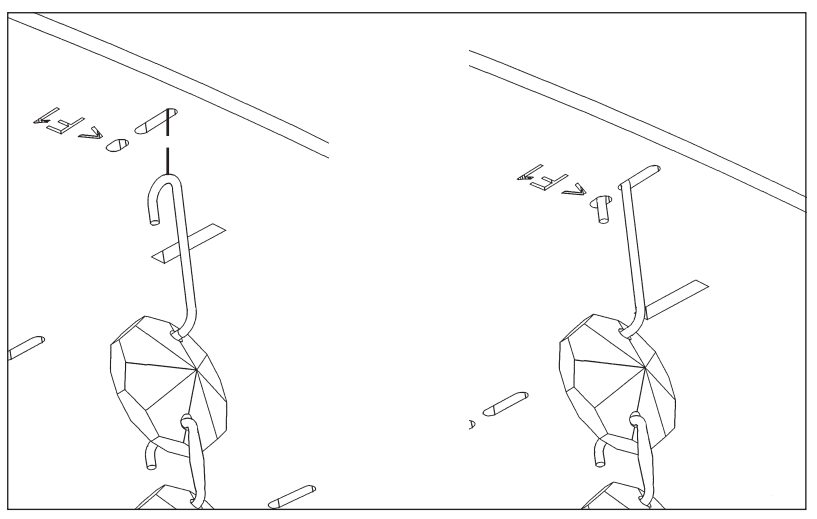
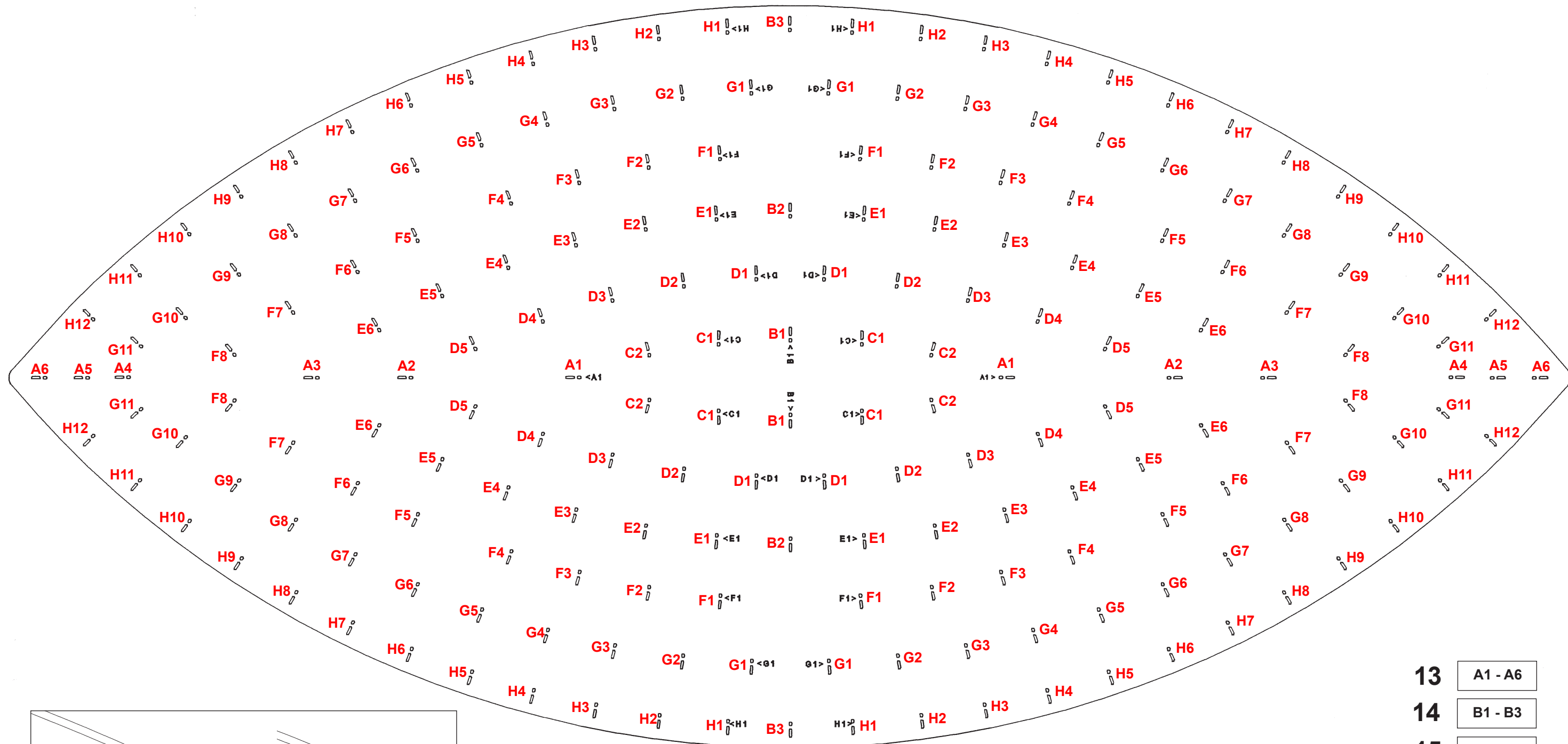


1 X  : 1746









After hanging all trim, remove labels from crystals. If residue remains, wipe off crystal with a soft, dry cloth.

- 13 A1 - A6
- 14 B1 - B3
- 15 C1 - C2
- 16 D1 - D5
- 17 E1 - E6
- 18 F1 - F8
- 19 G1 - G11
- 20 H1 - H12