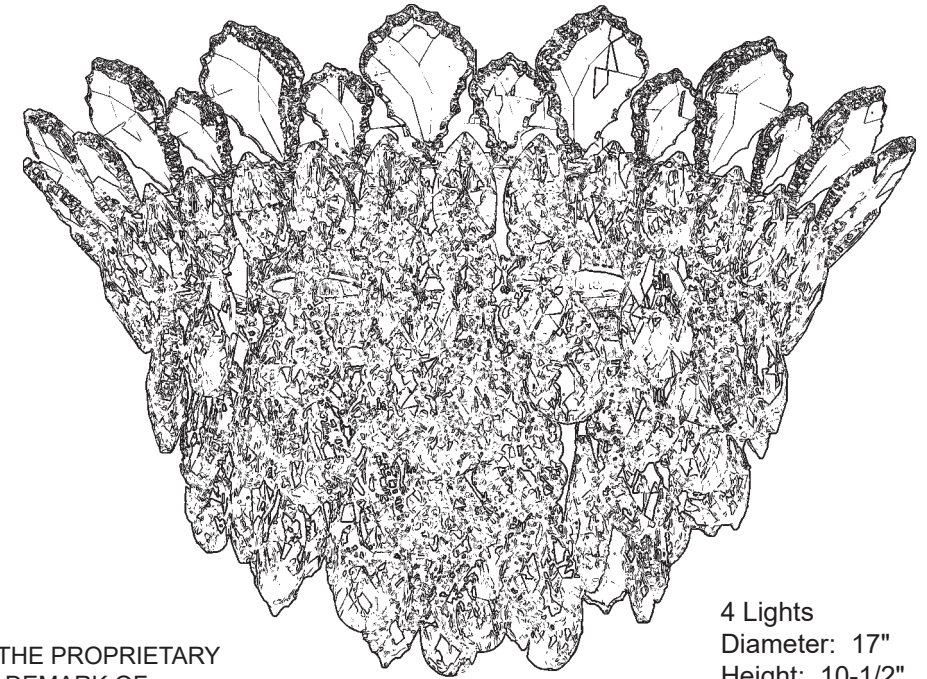


 **SCHONBEK** | 1870










# TRILLIANE STRANDS TR1201N- \_\_ \_ H

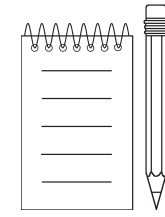
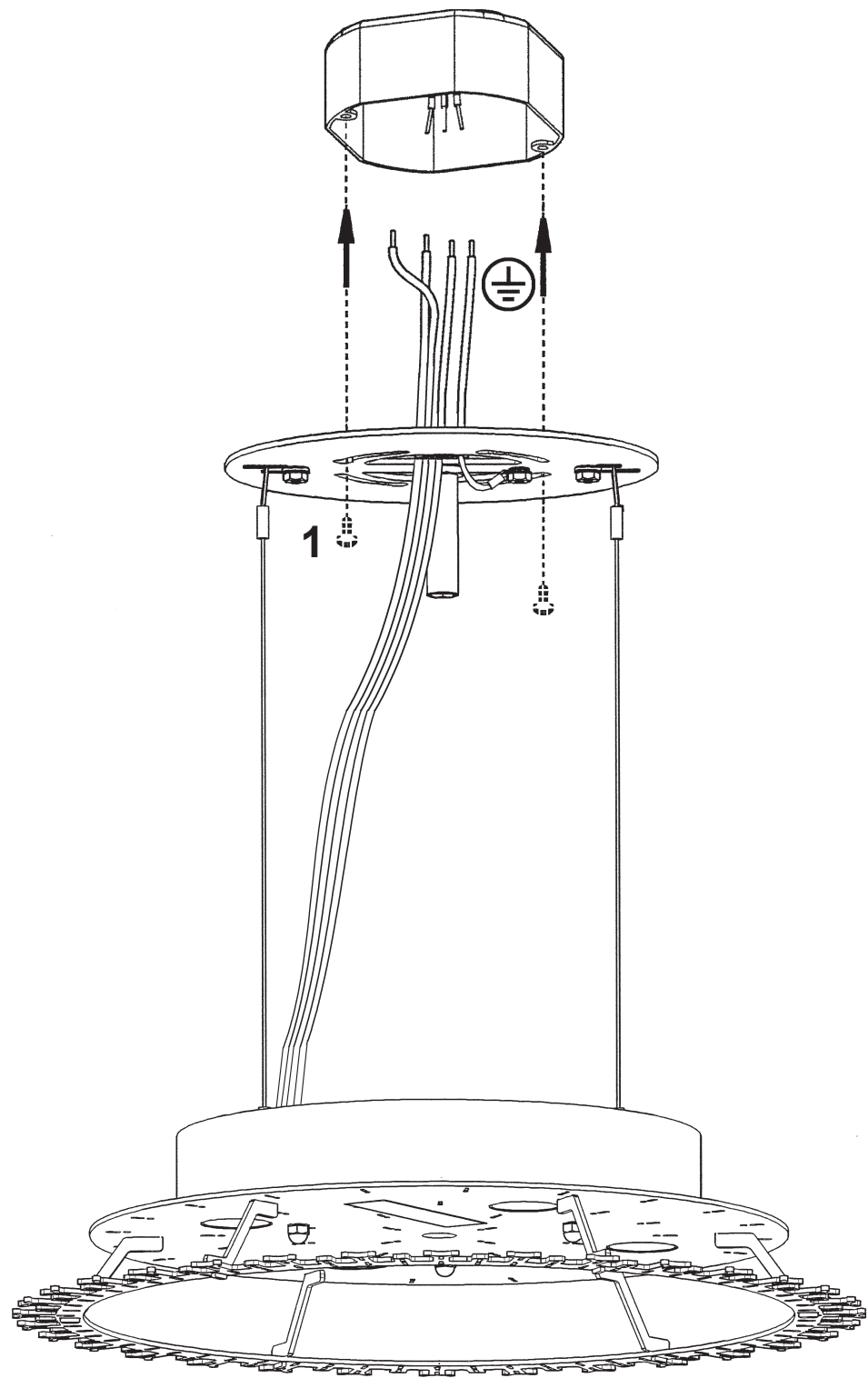


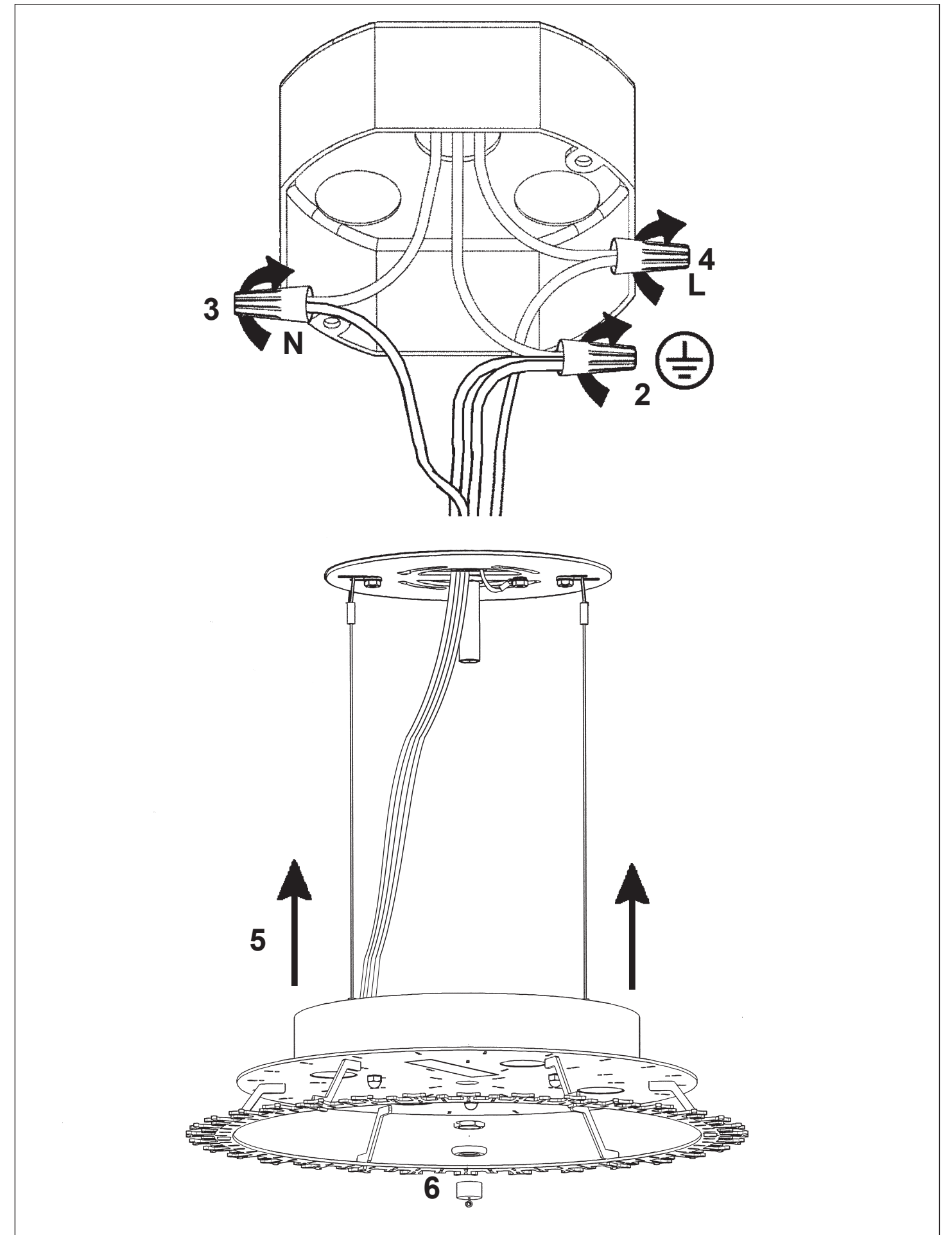
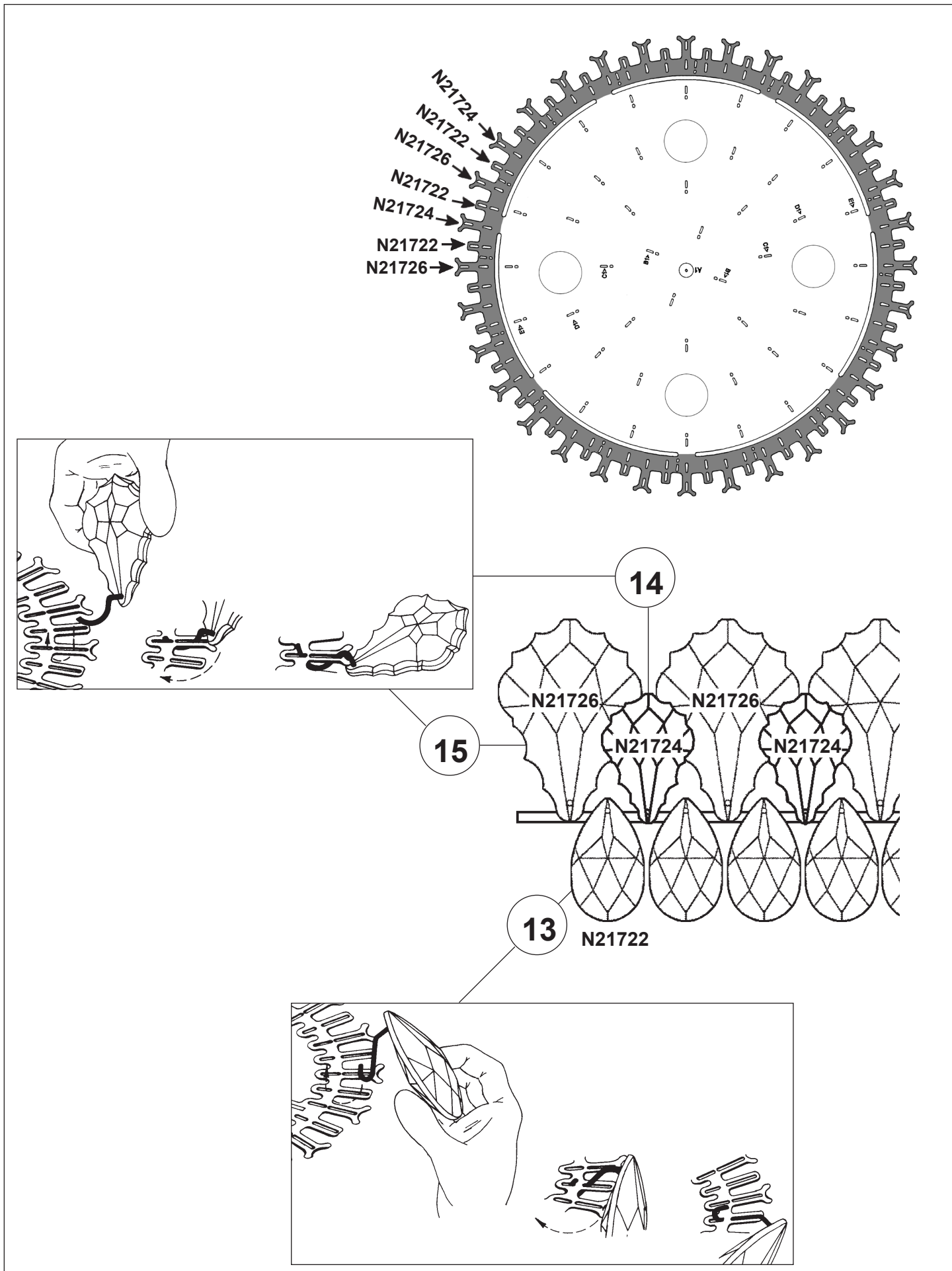
**T**HIS DESIGN IS THE PROPRIETARY  
TRADE DRESS/TRADEMARK OF  
W SCHONBEK LLC.

4 Lights  
Diameter: 17"  
Height: 10-1/2"  
Hanging Weight: 16lbs.

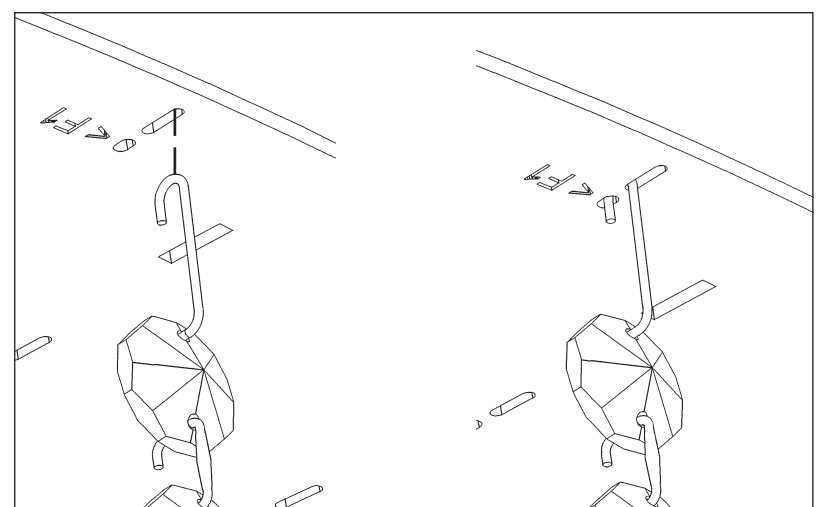
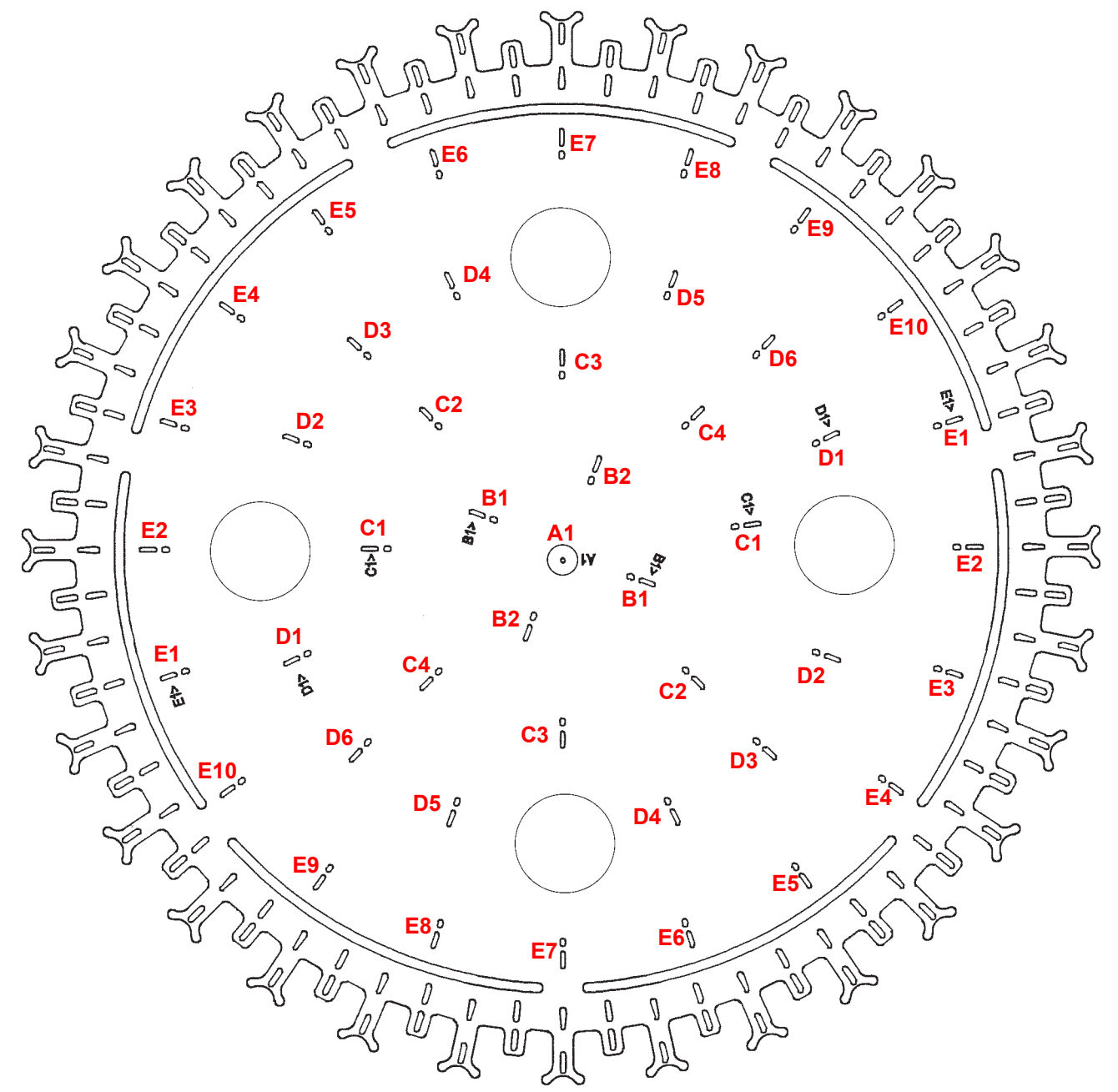
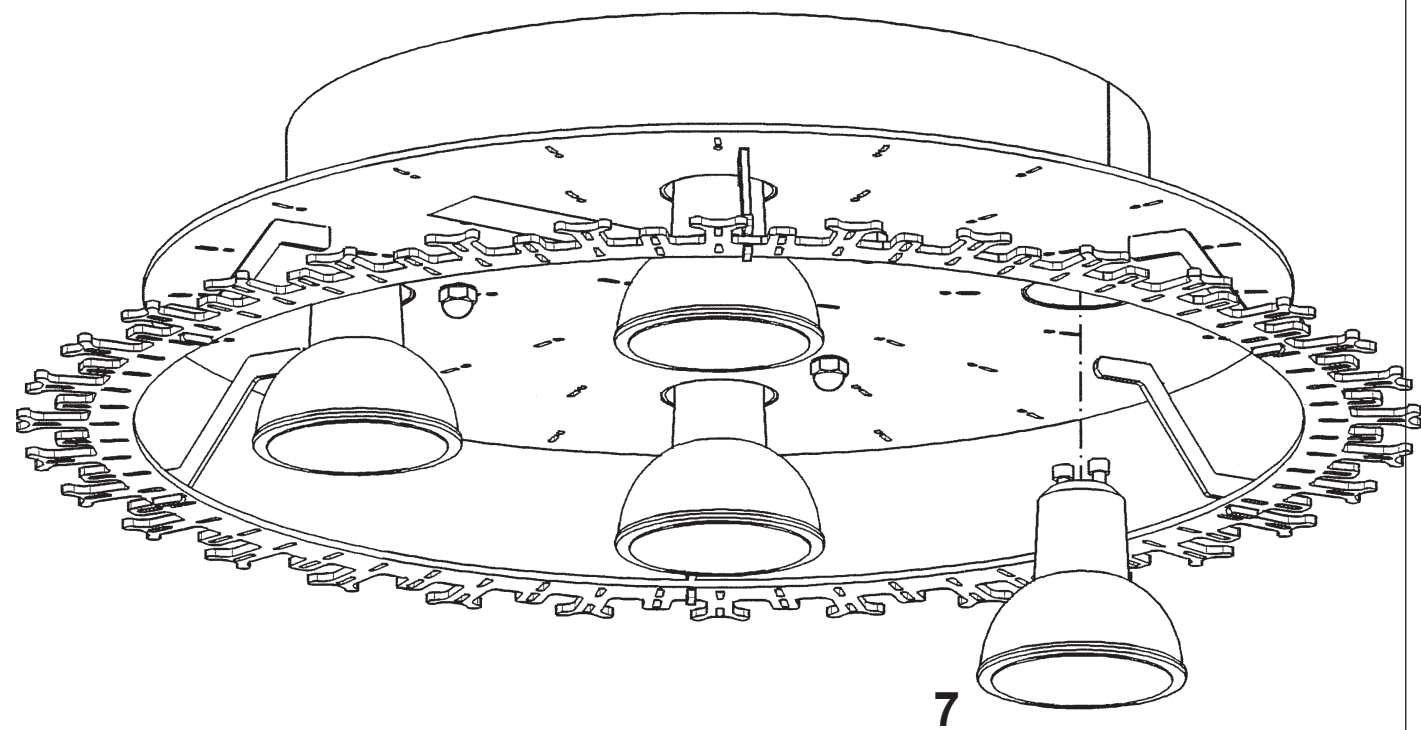
 **SCHONBEK** | 1870

			<b>S</b>					
MAX <b>35</b> W	110-120 V							





4 X  : GU10 35W MAX 

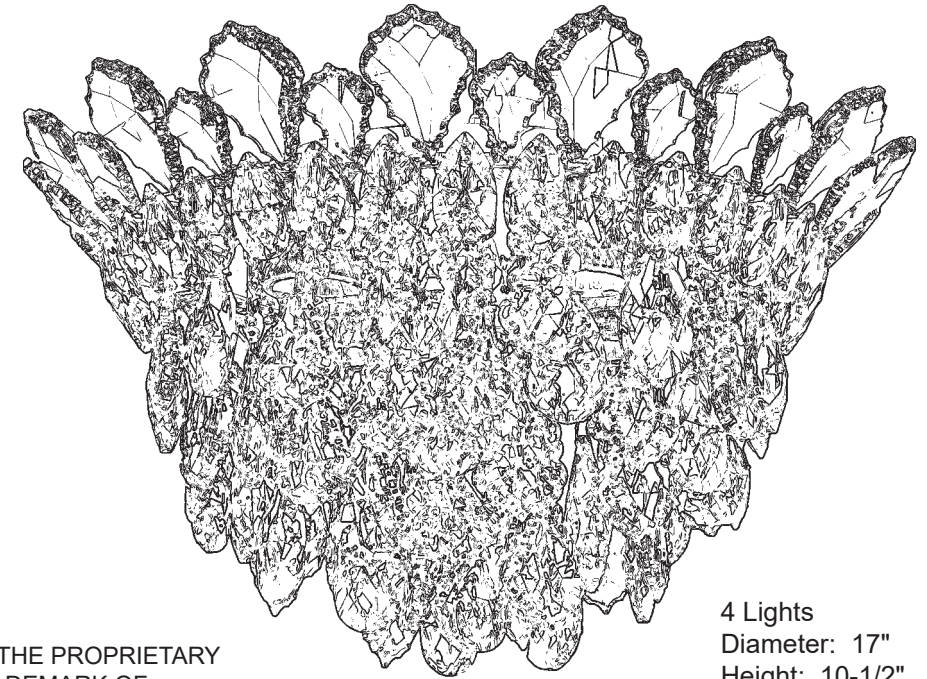


- 8** A1
- 9** B1 - B2
- 10** C1 - C4
- 11** D1 - D6
- 12** E1 - E10

After hanging all trim, remove labels from crystals. If residue remains, wipe off crystal with a soft, dry cloth.

 **SCHONBEK** | 1870











# TRILLIANE STRANDS TR1201N- \_\_ \_ R

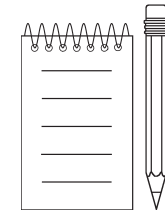
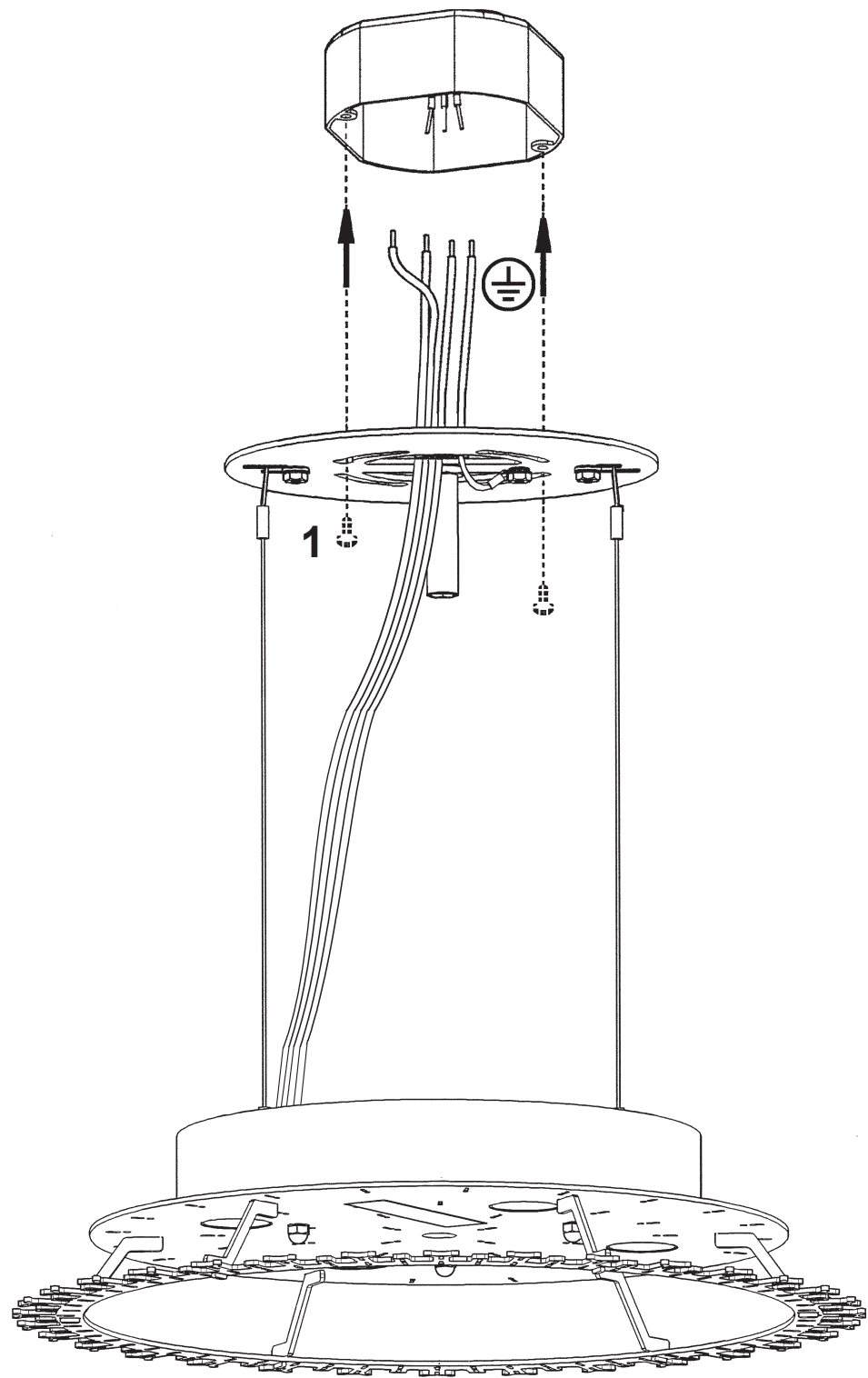


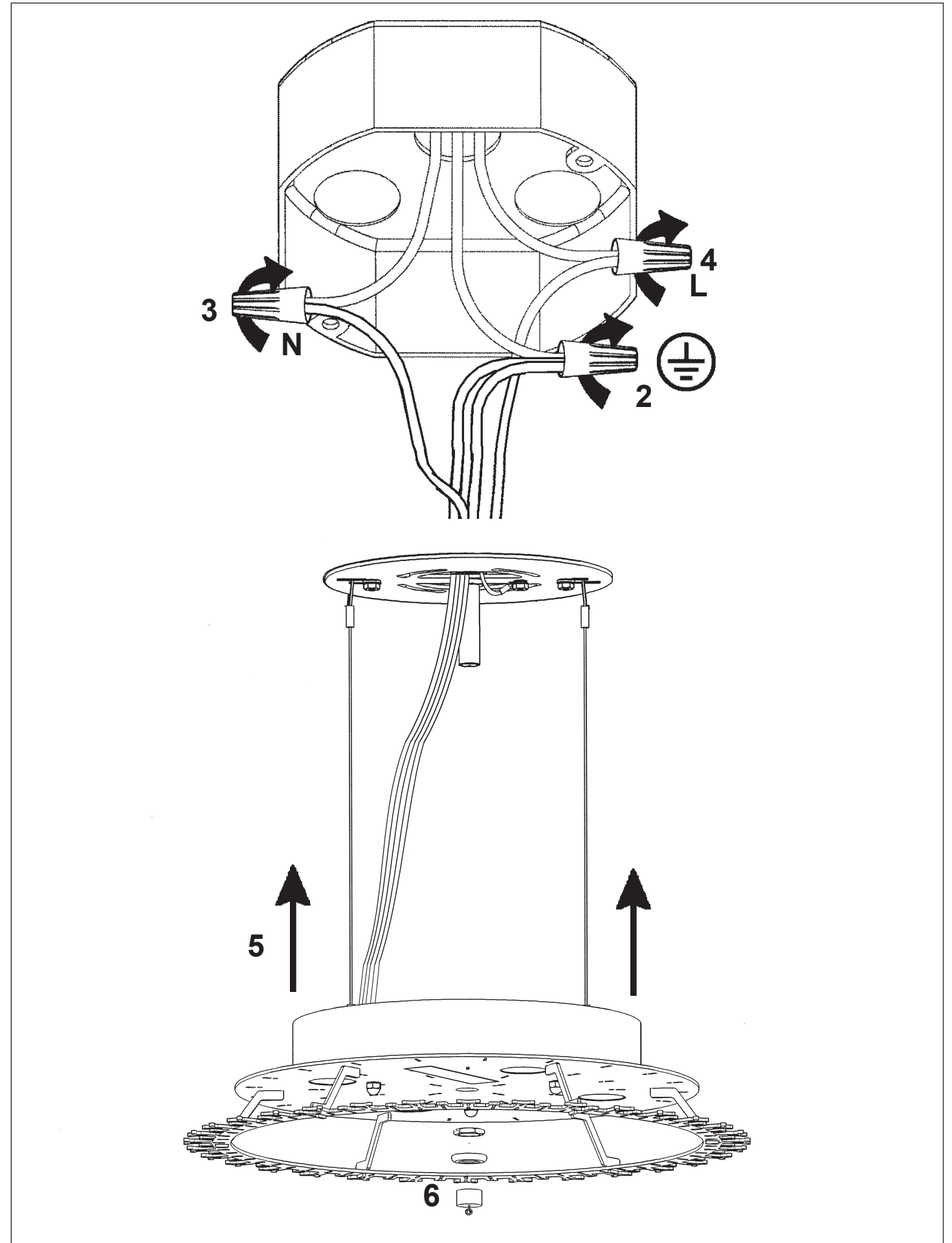
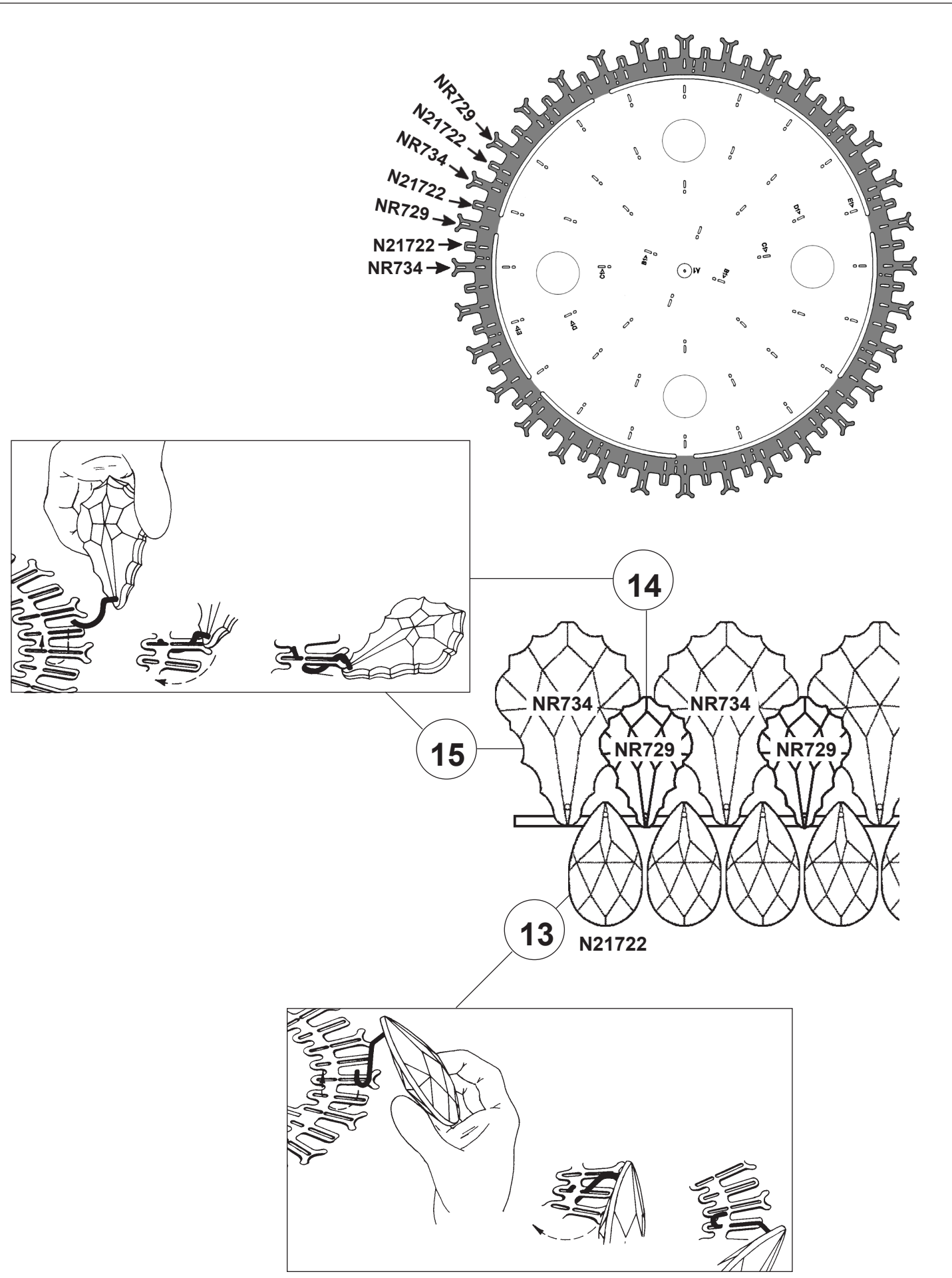
**T**HIS DESIGN IS THE PROPRIETARY  
TRADE DRESS/TRADEMARK OF  
W SCHONBEK LLC.

4 Lights  
Diameter: 17"  
Height: 10-1/2"  
Hanging Weight: 16lbs.

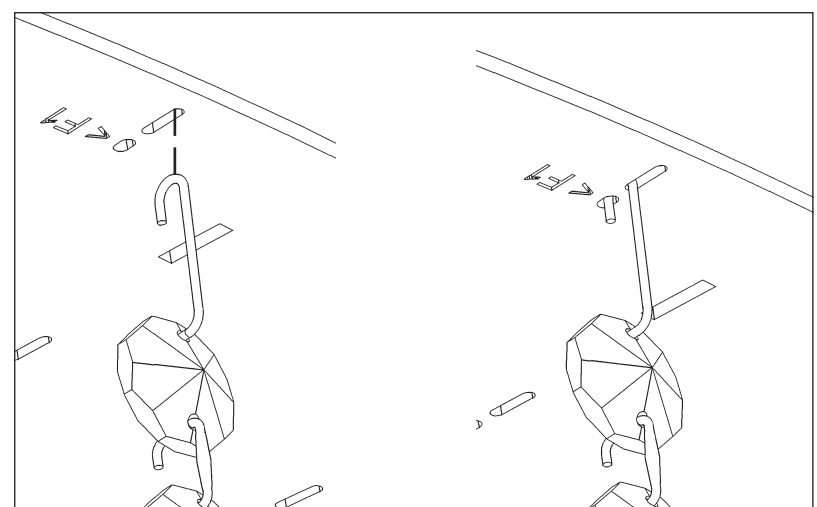
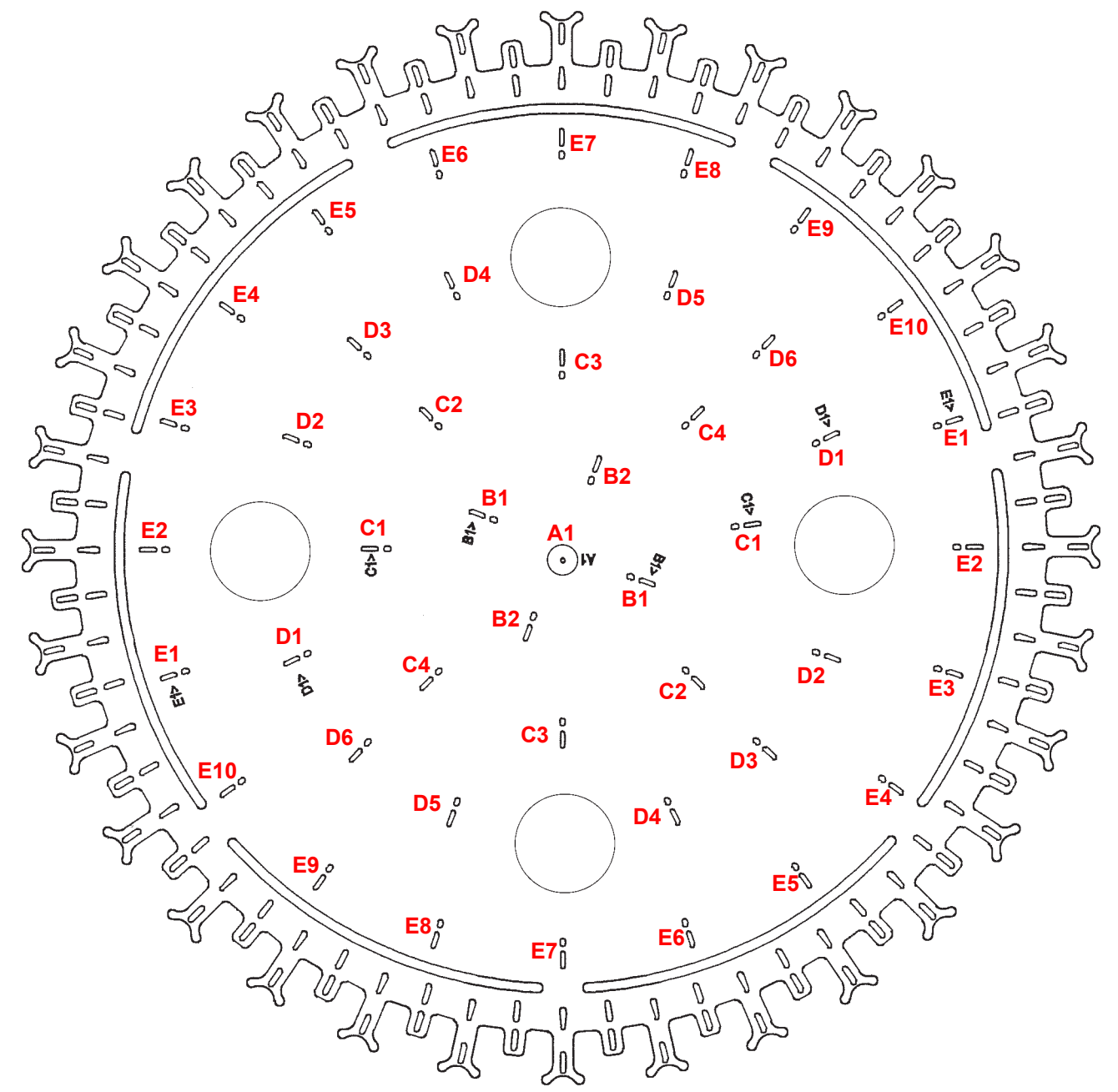
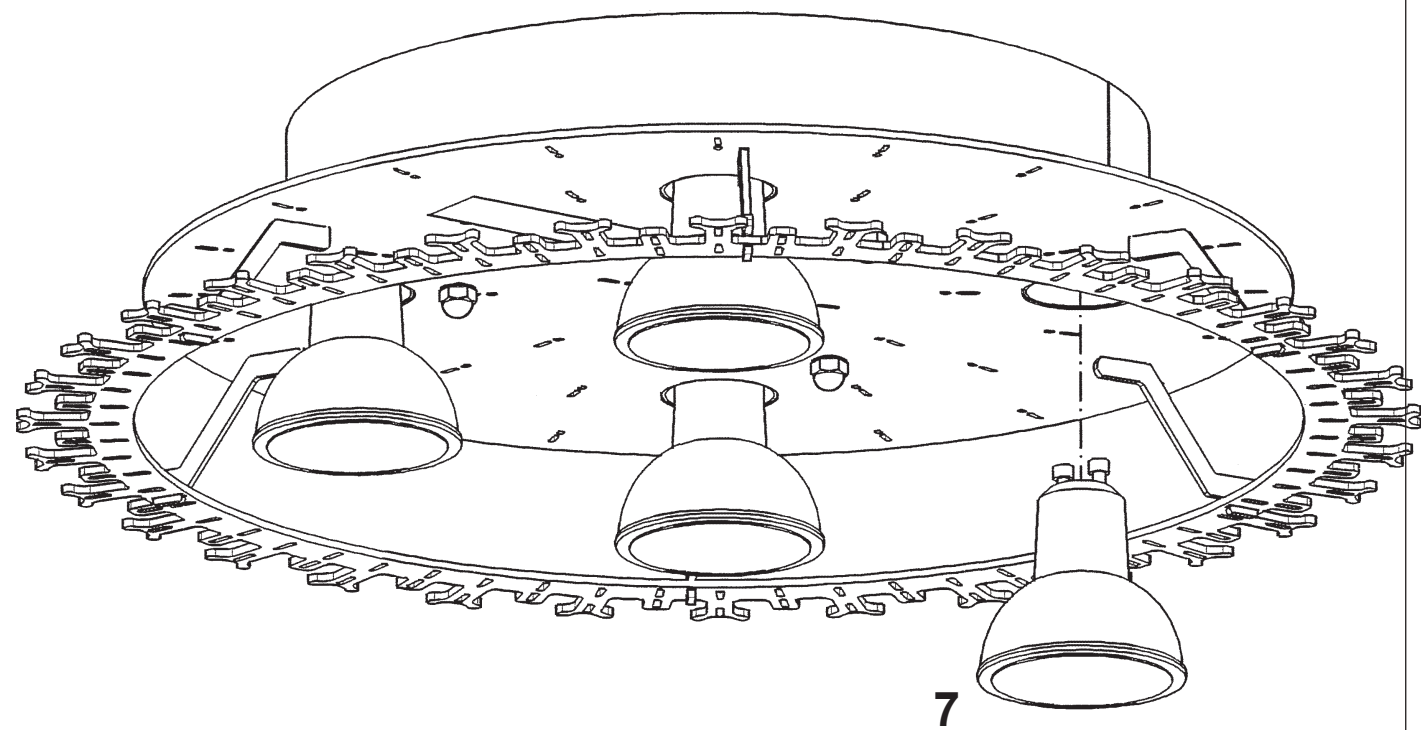
 **SCHONBEK** | 1870

			<b>S</b>						
MAX <b>35</b> W	110-120 V								





4 X  : GU10 35W MAX 



- 8** A1
- 9** B1 - B2
- 10** C1 - C4
- 11** D1 - D6
- 12** E1 - E10

After hanging all trim, remove labels from crystals. If residue remains, wipe off crystal with a soft, dry cloth.